

# HIGH OUTPUT COLOR CHANGING 5.9W LED TAPELIGHT - IP65



## TECHNICAL INFORMATION

NOTE: All data has +/- 5% tolerance.

WATTAGE	5.9W per foot
IP RATING	IP65 - wet locations. Not suitable for submersion, limited protection against harsh environments.
OUTPUT	RGB - 288 lm/ft Red (620-627nm) - 59 lm/ft Green (525-530nm) - 218 lm/ft Blue (470-475nm) - 46 lm/ft
INPUT VOLTAGE	24VDC
CUT LENGTH	Every 2.8", or every 8 LEDs
MAXIMUM RUN	32 feet
DIMENSIONS	0.39" W x 0.08" H (10mm x 2.0mm)
ADHESIVE BACKING	Yes - VHB
LIFESPAN	50,000 hrs
WARRANTY	3 year limited
POWER SUPPLY	Compatible with all 24VDC power supplies -- see power supply section of website

## CONNECTOR OPTIONS (SOLD SEPARATELY)

Use Layout Guide on page 3 to specify factory-assembled connections. 10mm connectors are available for making DIY connections.



TAPE-TO-TAPE GRIPPER CONNECTOR

**LLI-GCRD-LL-RGB**



TAPE-TO-WIRE GRIPPER CONNECTOR

**LLI-GCRD-LW-RGB**

## MOUNTING OPTIONS (SOLD SEPARATELY)



ARCHITECTURAL EXTRUSIONS  
(see website, [llilighting.com](http://llilighting.com))



TAPE MOUNTING CLIP  
(sold in packs of 10)

**LLI-TAPE-CLIPS-WET-10MM**

## PART NUMBER BUILDER / ORDERING GUIDE

Example part number: LLI-LCC5.9W-65-RGB-24V-96in

\*\*If a custom, pre-assembled layout is desired, please use the layout guide on page 3 to specify a layout code\*\*

SERIES      IP RATING      COLOR      VOLTAGE      LENGTH

**LLI-LCC5.9W** - **65** - **RGB** - **24V** -

(enter length in inches, up to 384")

# HIGH OUTPUT COLOR CHANGING 5.9W LED TAPELIGHT - IP65

## OVERALL LENGTH / CUT POINT GUIDE

2.8"	5.6"	8.4"	11.2"	14.1"	16.9"	19.7"	22.5"	25.3"	28.1"	30.9"	33.7"
36.5"	39.4"	42.2"	45.0"	47.8"	50.6"	53.4"	56.2"	59.0"	61.8"	64.7"	67.5"
70.3"	73.1"	75.9"	78.7"	81.5"	84.3"	87.1"	90.0"	92.8"	95.6"	98.4"	101.2"
104.0"	106.8"	109.6"	112.4"	115.3"	118.1"	120.9"	123.7"	126.5"	129.3"	132.1"	134.9"
137.7"	140.6"	143.4"	146.2"	149.0"	151.8"	154.6"	157.4"	160.2"	163.0"	165.9"	168.7"
171.5"	174.3"	177.1"	179.9"	182.7"	185.5"	188.3"	191.1"	194.0"	196.8"	199.6"	202.4"
205.2"	208.0"	210.8"	213.6"	216.4"	219.3"	222.1"	224.9"	227.7"	230.5"	233.3"	236.1"
238.9"	241.7"	244.6"	247.4"	250.2"	253.0"	255.8"	258.6"	261.4"	264.2"	267.0"	269.9"
272.7"	275.5"	278.3"	281.1"	283.9"	286.7"	289.5"	292.3"	295.2"	298.0"	300.8"	303.6"
306.4"	309.2"	312.0"	314.8"	317.6"	320.5"	323.3"	326.1"	328.9"	331.7"	334.5"	337.3"
340.1"	342.9"	345.8"	348.6"	351.4"	354.2"	357.0"	359.8"	362.6"	365.4"	368.2"	371.1"
373.9"	376.7"	379.5"	382.3"	385.1"							

# HIGH OUTPUT COLOR CHANGING 5.9W LED TAPELIGHT - IP65

## LAYOUT GUIDE

Example ordering code with layout code:

LLI-LCC5.9W-65-RGB-24V-288IN, P48-L96-J3-L48-J3-L96-J3-L48

↑  
LED ORDER CODE

↑  
LAYOUT CODE

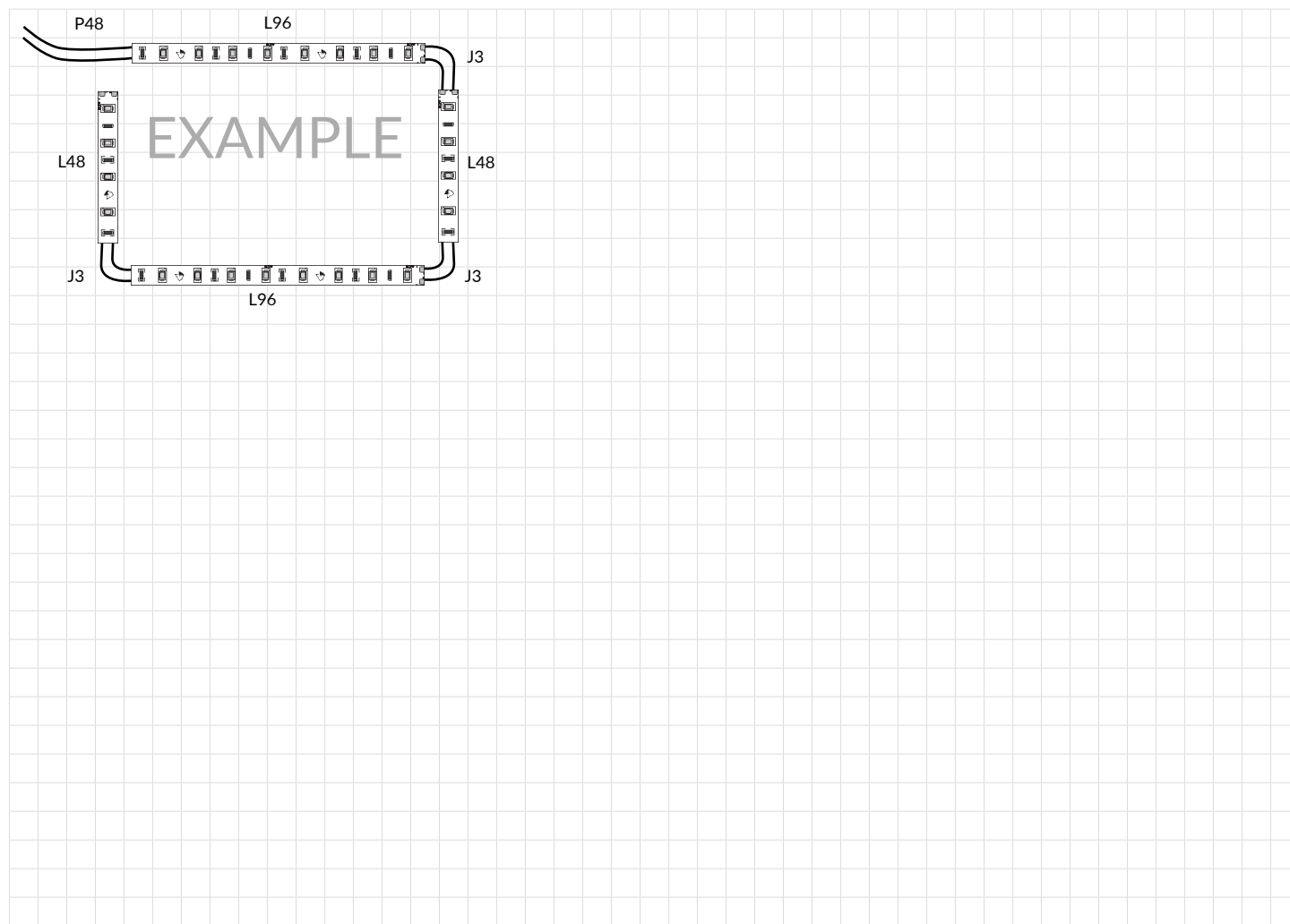
CODE LEGEND:

P - Power Feed Wire

L - LED Tapelight

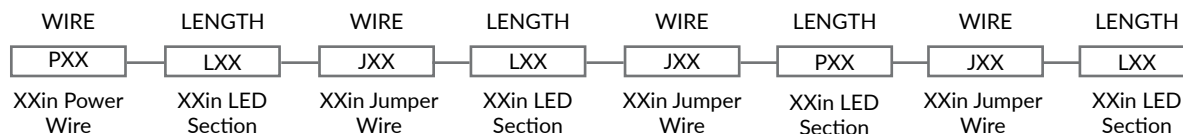
J - Jumper Wire for Interconnecting

The grid below is provided for you to sketch your layout, if desired. The layout code above corresponds to the example layout shown.



### LAYOUT CODE BUILDER:

(Repeat "wire" and "length" codes as needed until entire layout is specified.)



\*\* Customers must include a layout code with the LED order code if a custom, pre-assembled layout is desired\*\*

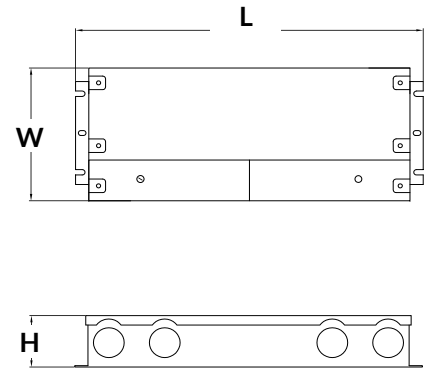
# HIGH OUTPUT COLOR CHANGING 5.9W LED TAPELIGHT - IP65

POWER SUPPLY (SOLD SEPARATELY)

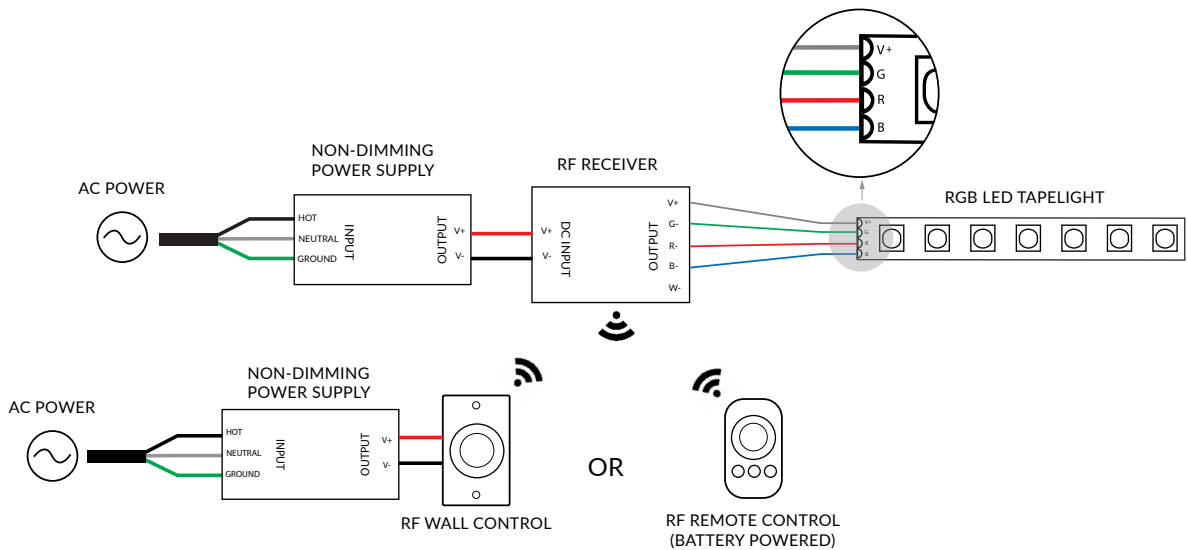
NON-DIMMABLE ELECTRONIC



PART NUMBER	CAPACITY	OUTPUT	CLASS	LOCATION	L	W	H
LLI-PS-NDE-030W-24V-KO	30W	24V	CLASS 2	WET	6.5"	3.5"	1.02"
LLI-PS-NDE-060W-24V-KO	60W	24V	CLASS 2	WET	7.4"	3.5"	1.2"
LLI-PS-NDE-096W-24V-KO	96W	24V	CLASS 2	WET	8.7"	3.7"	1.7"
LLI-PS-NDE-200W-24V-KO	200W	24V	CLASS 1	WET	10.3"	4.1"	1.8"
LLI-PS-NDE-300W-24V-KO	300W	24V	CLASS 1	WET	10.9"	4.3"	1.8"



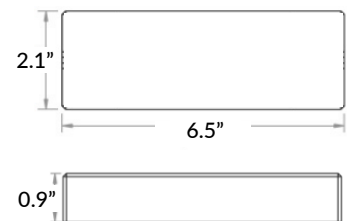
## EXAMPLE WIRING DIAGRAM - RF CONTROLLED



RF RECEIVER (SOLD SEPARATELY)

### LLI-C-RCV-UR-RF-4CH

CONTROLLER COMPATIBILITY	Compatible with all RF LLI-C-CTRL controllers.
LED COMPATIBILITY	Static Color, Tunable White & RGB(W) LEDs
CHANNELS	4 Channel, 8 Amp
INPUT VOLTAGE	12V / 24V (power supply not included)
CAPACITY	12V - 96W, 24V - 192W
FEATURES	Can be controlled by up to (8) controllers Can be synchronized with unlimited receivers up to 320ft away



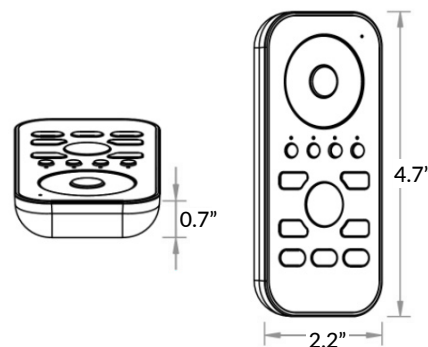
# HIGH OUTPUT COLOR CHANGING 5.9W LED TAPELIGHT - IP65

## RF CONTROLLERS (SOLD SEPARATELY)

### REMOTE CONTROLLER

#### LLI-C-CTRL-RGBW-HH

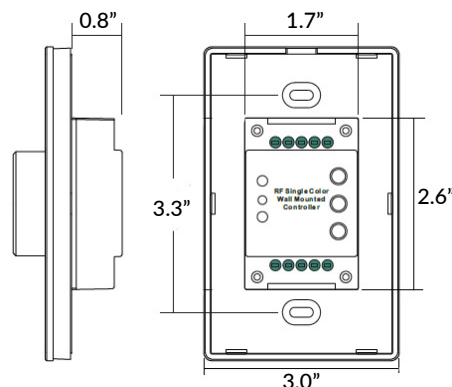
RECEIVER COMPATIBILITY	Compatible with Universal RF receivers
LED COMPATIBILITY	RGB(W) LEDs
INPUT VOLTAGE	Battery operated (3 AAA batteries not included)
FEATURES	Programmable up to 4 zones, 3 scenes Color adjustment Light intensity adjustment



### ROTARY WALL CONTROLLER

#### LLI-C-CTRL-RGB-RT

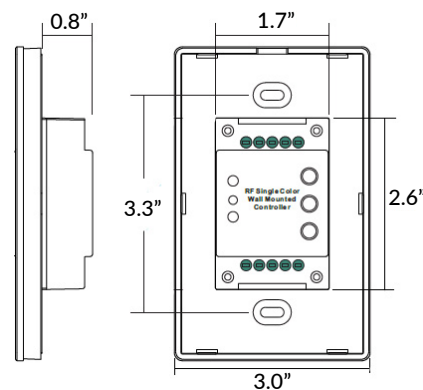
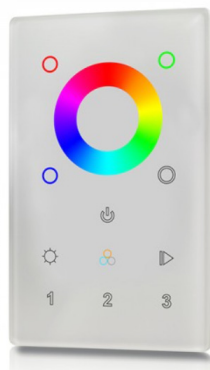
RECEIVER COMPATIBILITY	Compatible with Universal RF receivers
LED COMPATIBILITY	RGB LEDs
INPUT VOLTAGE	Battery operated (3V DC not included)
FEATURES	Control range $\geq$ 65ft Programmable single zone Color adjustment Light intensity adjustment



### TOUCH PANEL WALL CONTROLLER

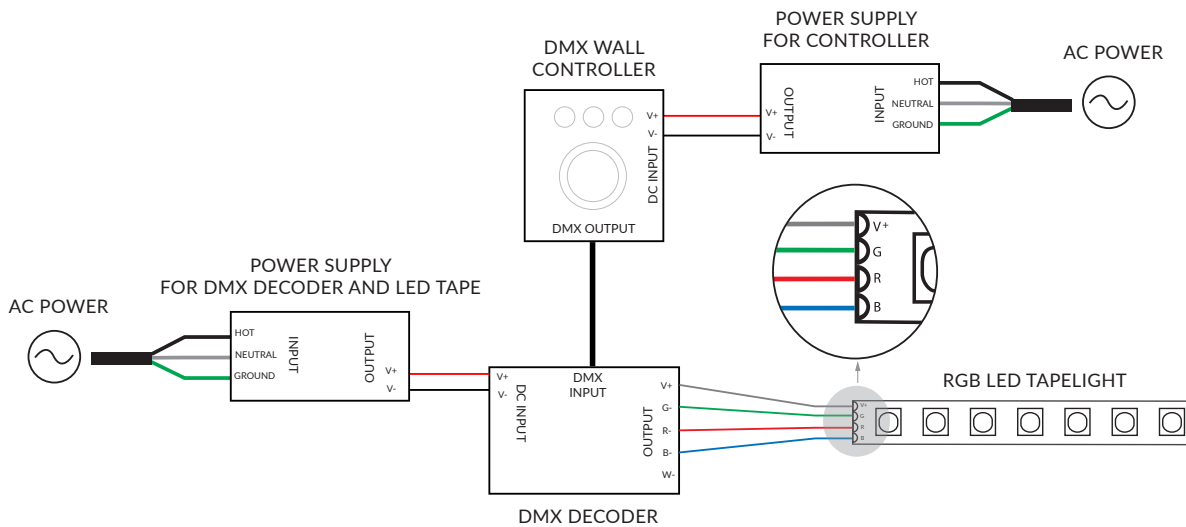
#### LLI-C-CTRL-RGBW-TP-WH

RECEIVER COMPATIBILITY	Compatible with Universal RF receivers
LED COMPATIBILITY	RGB(W) LEDs
INPUT VOLTAGE	12V DC power supply required (not included)
FEATURES	Control range $\geq$ 65ft Programmable up to 3 scenes 4 color presets Color adjustment Light intensity adjustment



# HIGH OUTPUT COLOR CHANGING 5.9W LED TAPELIGHT - IP65

## EXAMPLE WIRING DIAGRAM - DMX CONTROLLED

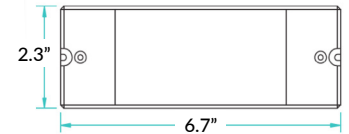
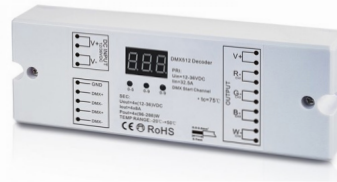


## DMX DECODERS (SOLD SEPARATELY)

### DMX512 DECODER

#### LLI-C-DEC-DMX512-8A

LOCATION RATING	Indoor only
FUNCTION	Static color, tunable white, RGB(W) LEDs
CHANNELS	4 channel output, 8 Amp maximum 512 addressable DMX channels
CAPACITY	12V - 96W maximum 24V - 192W maximum
COMPATIBILITY	Compatible with LLI-C-CTRL-DMX controllers



#### POWER

Power supply not included. 12V/24V non-dimming power supply required.

### RDM DMX512 DECODER

#### LLI-C-DEC-DMX512-8A-RDM

OUTPUT	8A maximum, 4 channels
LOCATION RATING	Indoor only
FUNCTION	RDM communication and PWM dimming for static white, static color, tunable white, and RGB(W) LEDs
CHANNELS	4 channel output, 8 Amp maximum 512 addressable DMX channels
CAPACITY	12V - 96W maximum 24V - 192W maximum
COMPATIBILITY	Compatible with LLI-C-CTRL-DMX controllers

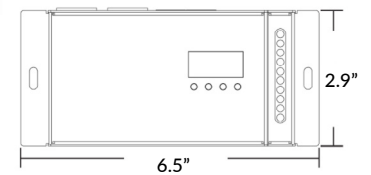


#### FEATURES

Can be controlled by up to eight (8) controllers. Can be synchronized with twenty (20) decoders.

#### POWER

Power supply not included. 12V/24V non-dimming power supply required.



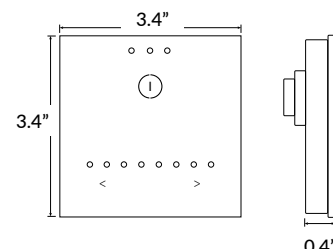
# HIGH OUTPUT COLOR CHANGING 5.9W LED TAPELIGHT - IP65

## DMX WALL CONTROLLERS (SOLD SEPARATELY)

### STAND ALONE DMX WALL CONTROLLER, GU2

#### LLI-C-CTRL-DMX-STICK-GU2

INCLUDED IN PACKAGE	Controller, CD-ROM, USB cable, connector block, power supply
OS/COMPUTER REQUIREMENTS	Mac OSx 10.6 or higher / Windows XP or higher, USB 2.0 port
PROGRAM SOFTWARE	Easy Stand Alone, ESA2 (included)
CONNECTIONS	Power (2 pins), DMX (3 pins), Port (2 pins), Micro-USB Port
MOUNTING	Single or double gang wall box
IP RATING	IP20 - dry locations only



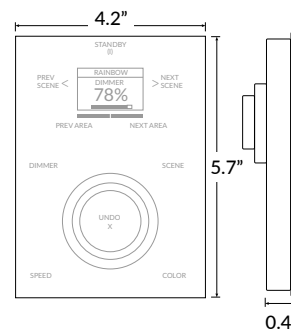
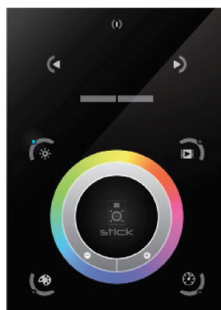
#### FEATURES

- Up to 24 dynamic or static scenes
- Wall mounted control panel with glass face, touch-sensitive buttons
- Programmable with included USB cable and software – no Ethernet or WiFi required

### STAND ALONE DMX WALL CONTROLLER, DE3

#### LLI-C-CTRL-DMX-STICK-DE3

INCLUDED IN PACKAGE	Controller, connector block, power supply
OS/COMPUTER REQUIREMENTS	Mac OSx 10.6 or higher / Windows XP or higher / iOS phone or tablet / Android phone or tablet
PROGRAM SOFTWARE	Easy Stand Alone, ESA2 (Mac/Windows) DMX Lightpad 3 App (iOS/Android) Easy Remote App (iOS/Android)
CONNECTIONS	Power/DMX - screw terminal and RJ45 compatible Memory - MicroSD slot Programming - MicroUSB port
POWER SUPPLY	6VDC power supply (included)
MEMORY	MicroSD card (not included)
MOUNTING	Single or double gang wall box
IP RATING	IP20 - dry locations only



#### FEATURES

- Multi-zone microSD memory
- Multi-room control with 500 scenes, 10 zones
- Integrated clock and calendar for scheduling events
- Touch-sensitive buttons
- USB and Ethernet connectivity for programming
- Windows/Mac software for programming dynamic effects
- iPhone/iPad/Android apps for remote control and program

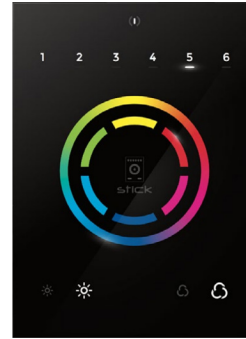
# HIGH OUTPUT COLOR CHANGING 5.9W LED TAPELIGHT - IP65

## DMX WALL CONTROLLERS (SOLD SEPARATELY)

### STAND ALONE DMX WALL CONTROLLER, CW4

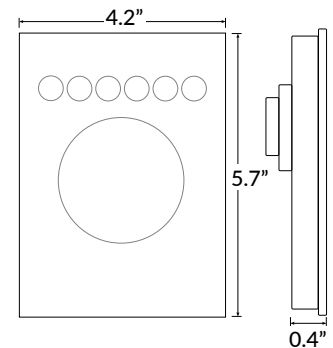
<b>LLI-C-CTRL-DMX-STICK-CW4</b>	FINISH
	<b>BL</b> Black glass <b>WH</b> White glass

INCLUDED IN PACKAGE	Controller, connector block, power supply, mini-USB cable, ESA2 software, ESA Pro2 Software
OS/COMPUTER REQUIREMENTS	Mac OSx 10.6 or higher / Windows XP or higher
PROGRAM SOFTWARE	Easy Stand Alone, ESA2 (Mac/Windows)
CONNECTIONS	Power/DMX - screw terminal and RJ45 Programming - miniUSB port
POWER SUPPLY	Requires 5-10VDC 0.6A power supply (included)
MEMORY	Integrated flash memory
MOUNTING	Single or double gang wall box
IP RATING	IP20 - dry locations only



### FEATURES

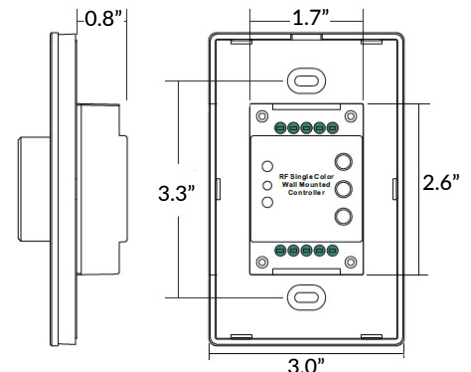
- Can be controlled directly from a computer, smartphone, or tablet
- Touch-sensitive buttons, glass face
- Up to 36 dynamic or static scenes
- 8 port triggers
- 1024 DMX channels control up to 340 RGB fixtures
- Windows/Mac software for programming dynamic effects
- Internal clock and calendar with sunrise/sunset triggering



### TOUCH PANEL DMX WALL CONTROLLER

**LLI-C-CTRL-DMX-RGBW-TP**

LED TAPE COMPATIBILITY	Compatible with 12-24V DC LED tapes
PROTOCOL	DMX512
ZONES	3 zones
INTERFACE	Glass touch control
WARRANTY	5 year limited



### POWER

Power supply for controller not included.  
12V DC power supply required.