



TOUCH PANEL WALL CONTROLLER

QUICK SPECIFICATIONS

LED TAPELIGHT COMPATIBILITY	Compatible with 12-24V DC LED tapelights
PROTOCOL	RF wireless or DMX hardware
ZONES	RGBW - 3 zones Tunable White - 4 zones, 2 scenes
INTERFACE	Glass touch control
WARRANTY	5 year limited

POWER

Power supply for controller not included.
12V DC power supply required.



RGBW CONTROLLER

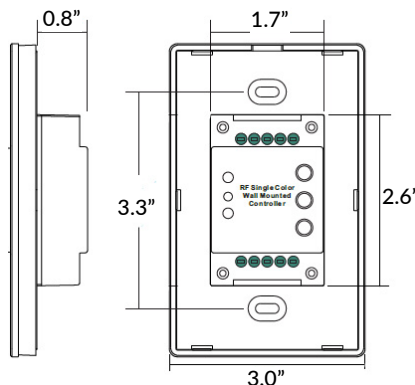


TUNABLE WHITE CONTROLLER

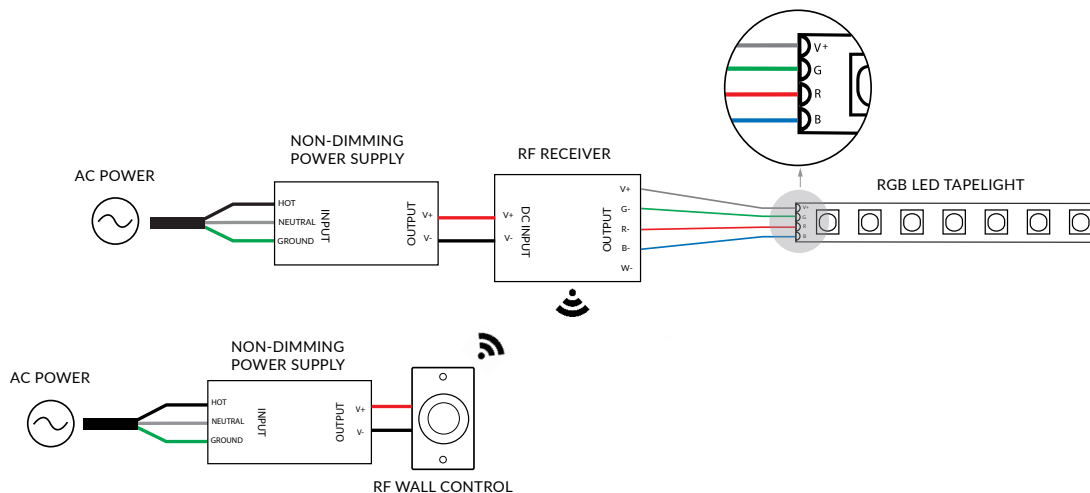
5 YEAR LIMITED WARRANTY

PART NUMBER

SERIES	PROTOCOL	FUNCTION	STYLE	FINISH
LLI-C-CTRL	[blank]	RGBW	TP	WH
	RF	RGB(W)	TP Touch Panel	WH White glass
	DMX	TW	Tunable White	

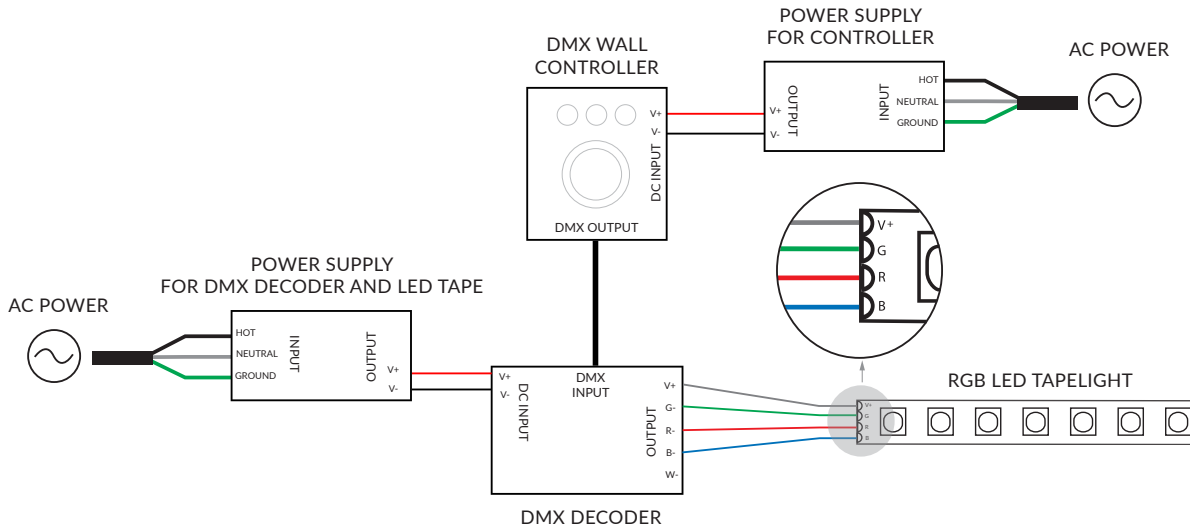


EXAMPLE RGB(W) RF WIRING DIAGRAM POWER SUPPLY, RECEIVER, AND LED TAPELIGHT SOLD SEPARATELY

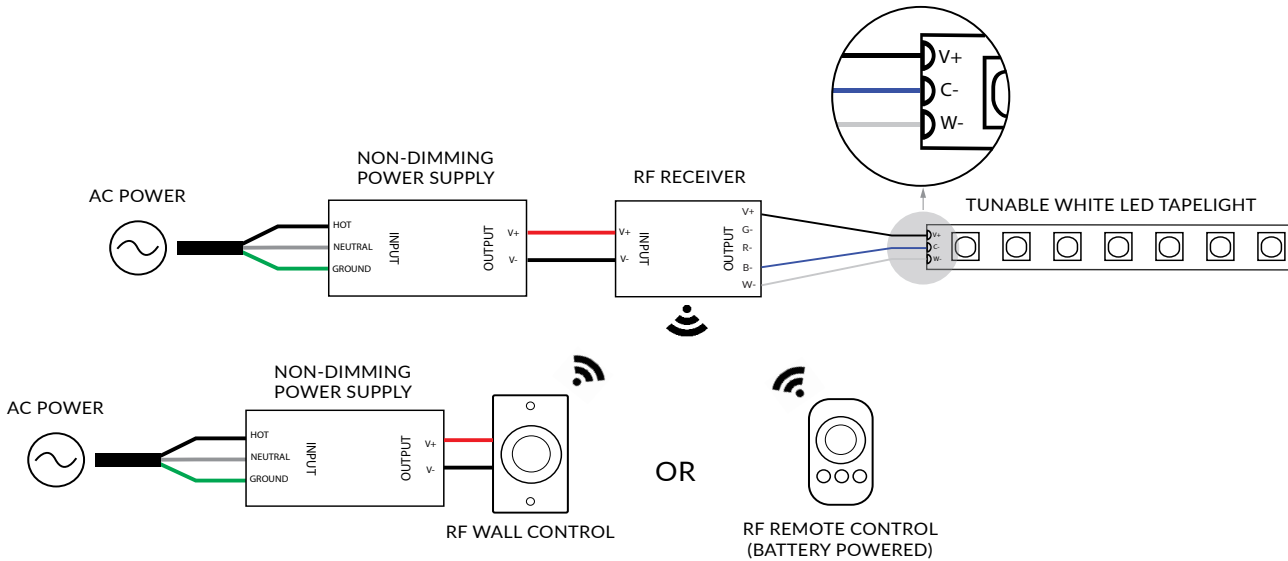


TOUCH PANEL WALL CONTROLLER

EXAMPLE RGB(W) DMX WIRING DIAGRAM POWER SUPPLY, DECODER, AND LED TAPELIGHT SOLD SEPARATELY



EXAMPLE TUNABLE WHITE RF WIRING DIAGRAM POWER SUPPLY, DECODER, AND LED TAPELIGHT SOLD SEPARATELY



EXAMPLE TUNABLE DMX WIRING DIAGRAM POWER SUPPLY, DECODER, AND LED TAPELIGHT SOLD SEPARATELY

