



SPECIFIER _____

PROJECT _____

DATE _____

STAND ALONE DMX CONTROLLER, STICK-CW4



Black glass finish



White glass finish



PART NUMBER

SERIES

LLI-C-CTRL

PROTOCOL

DMX

TYPE

STICK-CW4

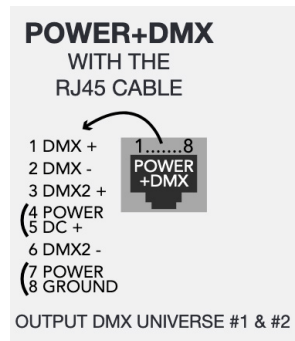
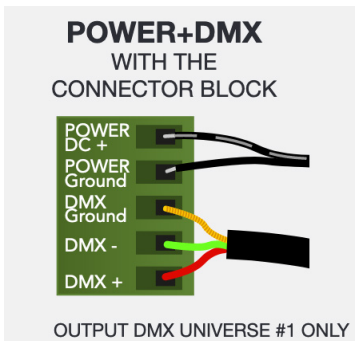
FINISH

BL Black glass

WH White glass

POWER OPTIONS

Power and DMX cable connections are available on the screw-terminal connector. Controller may be powered by Power + DMX RJ45 cable instead.



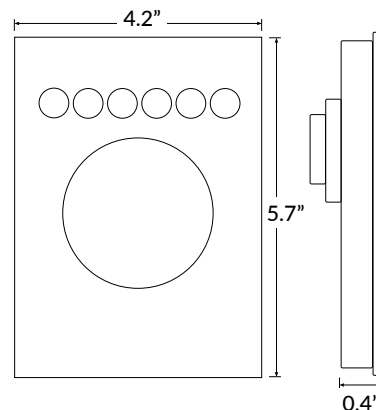
NOTE: Do not apply power to the DMX input. Doing so will damage the controller and void the warranty.

QUICK SPECIFICATIONS

| | |
|--------------------------|---|
| INCLUDED IN PACKAGE | Controller, connector block, power supply, mini-USB cable, ESA2 software, ESA Pro2 Software |
| OS/COMPUTER REQUIREMENTS | Mac OSx 10.6 or higher / Windows XP or higher |
| PROGRAM SOFTWARE | Easy Stand Alone, ESA2 (Mac/Windows) |
| CONNECTIONS | Power/DMX - screw terminal and RJ45 Programming - miniUSB port |
| POWER SUPPLY | Requires 5-10VDC 0.6A power supply (included) |
| MEMORY | Integrated flash memory |
| WEIGHT | 0.44 lb (200g) |
| MOUNTING | Single or double gang wall box |
| IP RATING | IP20 - dry locations only |
| WARRANTY | 5 year limited |

FEATURES

- Compatible with any DMX LED driver
- Can be controlled directly from a computer, smartphone, or tablet
- Touch-sensitive buttons, glass face
- Up to 36 dynamic or static scenes
- 8 port triggers
- 1024 DMX channels control up to 340 RGB fixtures
- Windows/Mac software for programming dynamic effects
- Internal clock and calendar with sunrise/sunset triggering



STAND ALONE DMX CONTROLLER, STICK-CW4

EXAMPLE WIRING DIAGRAM LED POWER SUPPLY, DECODER, AND LED TAPE SOLD SEPARATELY

