

OVERVIEW

A small, compact, lighting management panel for the Fresco control system (**LMP**) which provides dimming and switching control of lighting loads. Available factory prewired in one of three configurations, Fresco **LMP1** is configured for site requirements.

The **LMP1** panel is appropriate for conference centers, retail, restaurant, hospitality and house of worship applications, Fresco **LMP** is engineered for high performance control.

FEATURES

- Optimized design for modern solid state lighting control: adaptive phase modules and DALI within one cabinet
- Less than 1W minimum load on phase control dimming modules (LM4A, LM4D)
- Universal voltage operation (120 to 277 V~)
- NEMA SSL7A compliant line voltage dimming
- DMX controlled lighting modules with RDM communication

Warranty

Two-year limited warranty. Complete warranty terms located at:

www.acuitybrands.com/CustomerResources/Terms_and_conditions.aspx

Note: Actual performance may differ as a result of end-user environment and application.

Specifications subject to change without notice.

AcuityControls[™]

Fresco[™]

LMP1 Lighting Management Panel

One Module Dimming and Relay Panels



ORDERING INFORMATION

LMP		Example: LMP1 1A MVOLT
Series	Module Type	MVOLT
LMP1 Small enclosure, single module	1A LM4A (Advanced phase selective) module count ¹ 1D LM4D (Phase selective) module count ¹ 1B LM2B (DALI) module count	MVOLT 120/277 volt, 50/60 Hz

1) Lutron Hi-Lume ballasts and Acuity RDM dimmers require minimum 10 devices per LM4A or LM4D dimmed output. For less than 10 devices install (1) LMP SNB per dimmed output.

ACCESSORIES

Order as a separate item.

- LM4A MVOLT** Advanced phase dimming module
- LM4D MVOLT** Phase dimming module
- LM2B MVOLT** DALI module
- LMP SNB** Minimal Load Snubber

SPECIFICATIONS

Electrical

- Input: 120/277 V~ 50/60 Hz (phase to neutral)
- Available as a feed-through cabinet only
- Surge protected for 6,000 V, 3,000 A

Enclosure

- NEMA Type 1
- Maximum Weight: 35 lbs (16 kg)

Load Types

- LED forward or reverse phase dimmed (4D, 4A)
- Electronic low voltage transformer (4D, 4A)
- Magnetic low voltage transformer (4A)
- Incandescent/Halogen/Tungsten (4A)
- Non dim (full conduction lighting loads) (4A)
- Fluorescent 2-wire (4D)
- Fluorescent 3-wire (4A)
- DALI (2B)

Mounting

- Mounts between studs or surface mount.
- Indoor use only.

Environment

- 32 to 104 °F (0 - 40 C)
- Relative humidity less than 90%, non-condensing

Standards

- UL Listed, CUL
- ESD hardened, level 4: IEC61000-4-2, +/-8 kV contact
- DALI: IEC60929 Annex E
- NEMA SSL7A (LED phase dimming control)
- ANSI E1.11, E1.20, E1.27 (DMX and RDM)

Other

- Assembled in USA
- Convection cooled, no fans
- Automatic over-temperature protection internal to phase control dimming modules

MODULE OVERVIEW

LM4A

Adaptive phase control dimming module with automatic forward and reverse phase cut dimming selection and air gap relay per channel.

Input Voltage	120 V~ to 277 V~
Channel Count	4
Input Circuits	1
Fall Time (reverse phase control)	165 µsec (independent of load)
Rise Time (forward phase control)	80 µsec @120 V 165 µsec @ 277 V~
Total Module Output Rating	16.6 A at 120V~, 7.2 A at 277V~
Max Channel Rating (continuous)	8.3 A at 120V~, 3.6 A at 277V~
Minimum Load	0.1W (Note 1)
Load Types (configured per channel)	<ul style="list-style-type: none"> • LED • Electronic Low Voltage • Magnetic Low Voltage • Incandescent • 2-Wire (Advance Mark 10, Sylvania Powersense®, Lutron Tu-Wire®) • 3-Wire (Lutron Hi-lume®) • Non-dim

LM4D

Phase control dimming module with selectable forward and reverse phase cut dimming.

Input Voltage	120 V~ to 277 V~
Channel Count	4
Input Circuits	1
Rise Time / Fall Time	10 µsec (independent of load)
Total Module Output Rating	16.6 A at 120V~, 7.2 A at 277V~
Max Channel Rating (continuous)	8.3 A at 120V~, 3.6 A at 277V~
Minimum Load	0.1W (Note 1)
Load Types (configured per channel)	<ul style="list-style-type: none"> • LED • Electronic Low Voltage • Incandescent • 2-Wire (Advance Mark 10, Sylvania Powersense®, Lutron Tu-Wire®)

LM2B

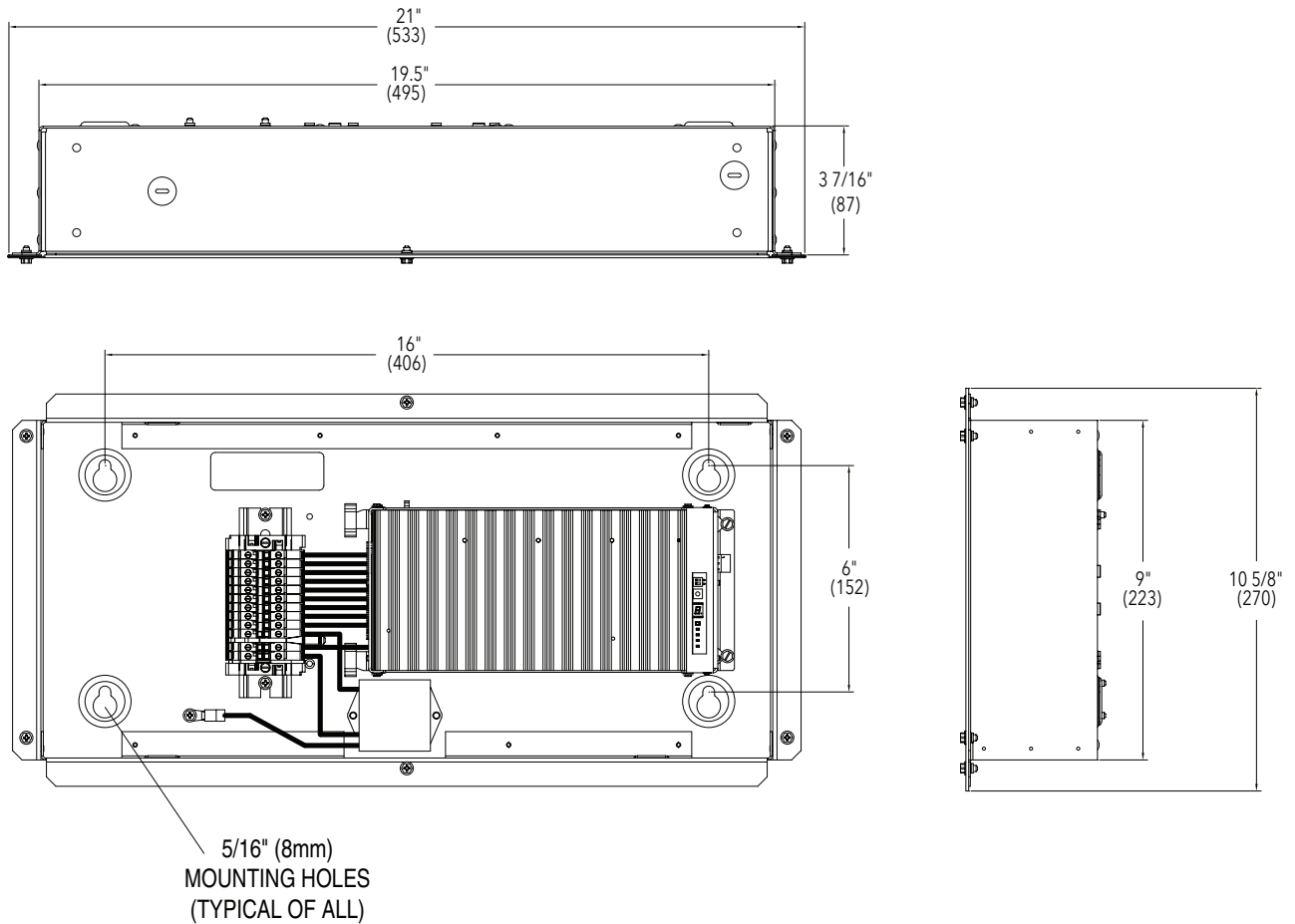
Digital (DALI) ballast and LED driver control module with 2 independent DALI circuits supporting up to 128 ballasts or drivers.

Input Voltage	120 V~ to 277 V~
DALI Loops	2
Input Circuits	1
DALI Output Voltage (nominal)	18 VDC
DALI Output Current (each loop)	150 mA
Load Types	DALI (IEC 60929.E compliant devices)

Note 1:

Lutron Hi-Lume ballasts and Acuity RDM remote dimmers require a minimum 10 devices per LM4A or LM4D dimmed output. For less than 10 devices install (1) LMP SNB per dimmed output.

DIMENSIONS



FEED AND FIELD WIRING

Wire Sizes and Wiring

- Terminal blocks: #14 AWG to #10 AWG

