



Client: _____

Project: _____



Type: _____

Order Code: _____

Quantity: _____

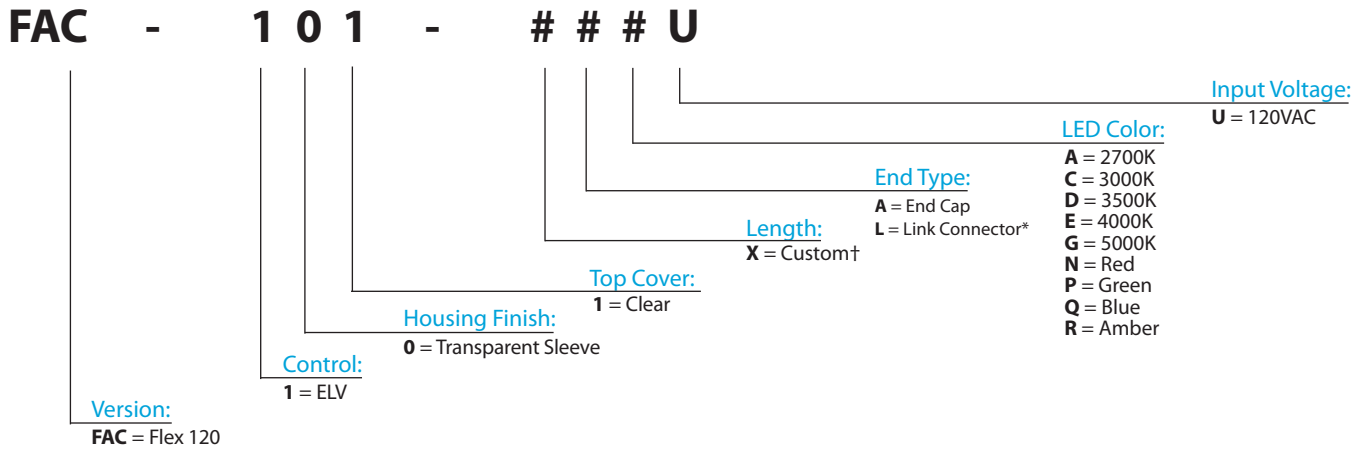
Flex 120 is a low profile, exterior rated, AC powered linear LED strip. It features multiple white LED color temperatures, 10-100% ELV dimming, and customizable lengths that are built to order for the specific project. Flex AC provides maximum run distance for projects that are looking to keep wiring simple while eliminating the need for external power supplies.

SPECIFICATIONS

Colors	2700K, 3000K, 3500K, 4000K, 5000K, Red, Green, Blue, Amber
Beam Angle	160°
Photometrics	Up to 371 lumens per 0.5M 1.64' section, >80 CRI, 70 l/pw - See page 4 for details
Strip Length	Built to order, minimum length of 0.5m (1.64') maximum length of 20m (65.6')
Control	10-100% dimming via ELV (reverse phase) / 0-10V & DMX via optional UDM
Max Fixtures in Series	Link any length of section up to 40m (131.2')
Power Consumption	3.8W per foot, 12.4W per meter
Operating Voltage	120VAC
Lumen Maintenance	L70 @ 50,000 hours (25° C)
Mounting	Via aluminum channel
Finish	Transparent sleeve, white PCB
Material	PVC, UV Stabilized
Ambient Operating Temperature	-40° F to 122° F (-40° C to 50° C)
IP Rating	IP66, wet and dry location - Not for use where water may accumulate, GFCI circuit required
IK Rating	IK08, protection against 5 joule impact
Fixture Connectors	10' (3M) feed cable with ETL listed AC junction box required
Warranty	5 Years, limited
Weight	TBA
Dimensions	L: Various W: 0.75" x D: 0.48" (Various x 19mm x 12.2mm)
Certifications	 

ORDER CODES

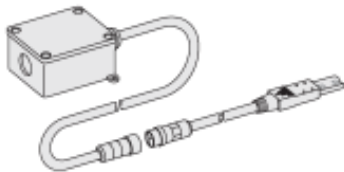
* indicates special order



†: When ordering custom lengths, please specify number of 1.64' (0.5M) sections required after X (65.6', 20M maximum).
Example order code: **FAC-101-X12AAU = 0.5M x 12 / 6M spool**

RELATED COMPONENTS

Required Installation Accessories

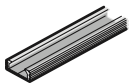


FACFCB10
Flex 120 3m (10') Feed Cable with
cETLus Listed AC Junction Box



FACIT
Flex 120 Rolling Wheel Install Tool

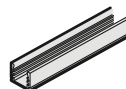
Required Mounting Accessories - Can be cut to length as needed



FACLPC500
0.5M (1.64') Low profile channel for Flex 120

FACLPC1000
1M (3.28') Low profile channel for Flex 120

FACLPC2000
2M (6.56') Low profile channel for Flex 120



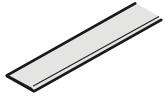
FACTPC500
0.5M (1.64') Tall profile channel for Flex 120

FACTPC1000
1M (3.28') Tall profile channel for Flex 120

FACTPC2000
2M (6.56') Tall profile channel for Flex 120

RELATED COMPONENTS

Required Mounting Accessories - Can be cut to length as needed, All lenses are UV Stabilized



FACCL500

0.5M (1.64') Clear lens for all Flex 120 channel

FACCL1000

1M (3.28') Clear lens for all Flex 120 channel

FACCL2000

2M (6.56') Clear lens for all Flex 120 channel

FACFL500

0.5M (1.64') Frosted lens for all Flex 120 channel

FACFL1000

1M (3.28') Frosted lens for all Flex 120 channel

FACFL2000

2M (6.56') Frosted lens for all Flex 120 channel

FACOL500

0.5M (1.64') Opal lens for all Flex 120 channel

FACOL1000

1M (3.28') Opal lens for all Flex 120 channel

FACOL2000

2M (6.56') Opal lens for all Flex 120 channel

Optional Control Accessories

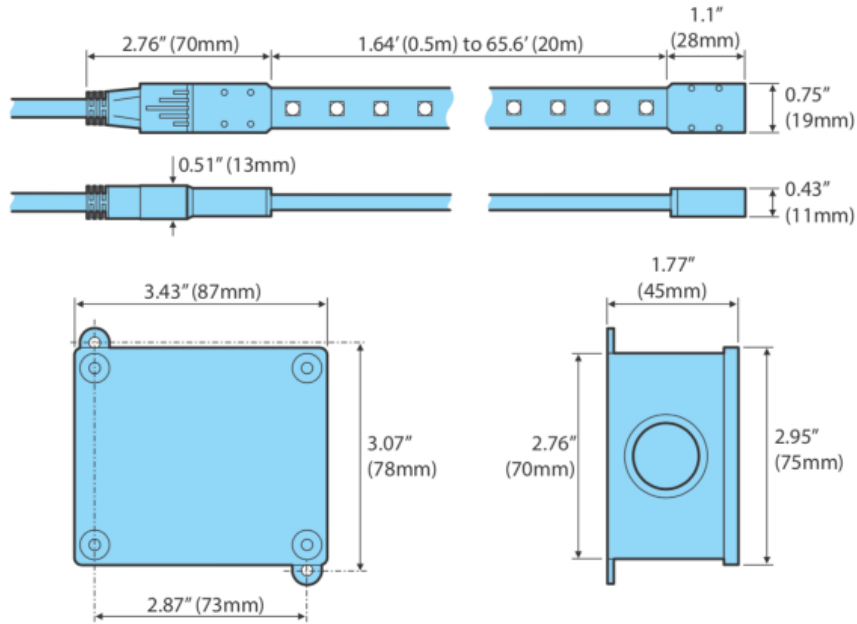


UDM

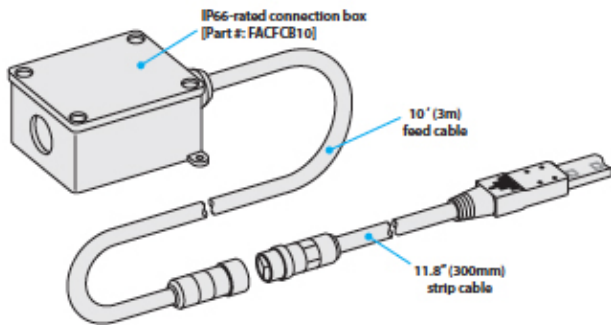
Converts 0-10V (sink or source) to IGBT

DIMENSIONS

Connectors and Connection Box



Cable Lengths for Tape and Connection Box



PHOTOMETRICS

Photometric testing in progress

Color	Lumens	Max Candela	Efficacy	CRI	TM30
2700K	308	108	56	83.8	84.2
3000K	371	127	69	80	79.3
3500K	366	134	66	81.7	80.1
4000K	360	128	69	82.5	80.2