



CM-010V-2CH-CT-5A-MV

UL LISTED | TUNABLE DIMMING MODULE



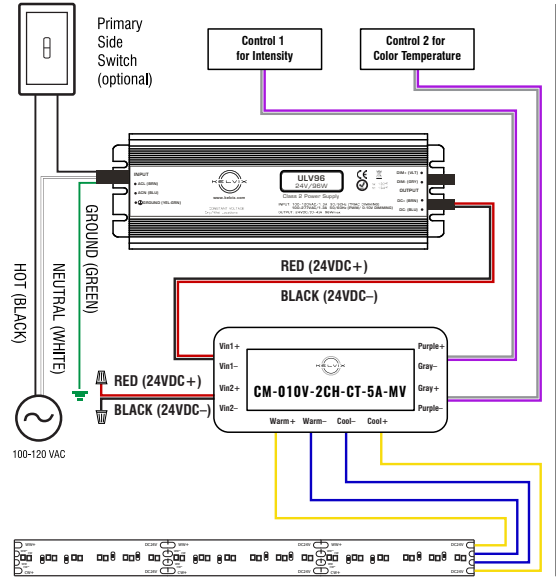
PRODUCT FEATURES

- UL Listed Dimming Module
- Wide Range DC Input (12–48VDC)
- 0–100% Dimming and Color Temperature Changing
- Up to 97% Efficiency
- 1kHz PWM Output Frequency
- EN55015 and FCC Part 15 Compliant

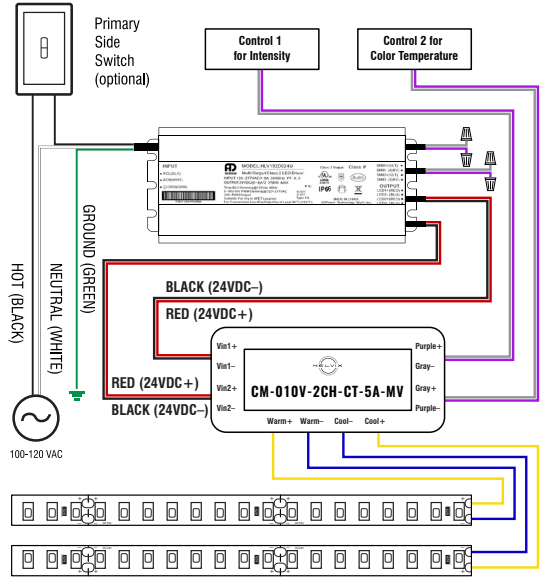
SPECIFICATIONS

Input Voltage	12–48V
Input Control	2
Channel Output	2
IP Rating	IP65
Temp Range	-20°C to 60°C
Dimensions	3.86" × 1.73" × 0.57" (98mm × 44mm × 14.5mm)

1-CHANNEL POWER CONFIGURATION



2-CHANNEL POWER CONFIGURATION



Conforms to ANSI/UL Standard 244A
 Certified to CAN/CSA Standard C22.2 No. 250.0

