

SQUIGGLE

WEB PIN 144



GENERAL SPECIFICATION

Body and trim: Steel and aluminum.

Finish: Powder coated for standard finishes (black, Silver Metallic & white). For wood grain finishes, the canopy will be white.

Suspension: Steel cables. Recommended minimum mounting heights from ceiling: 305mm/12" for White LEDs and 610mm/24" for Colored LEDs (Only for Direct/Indirect version).

Power cable: Silver braided.

Diffusers: Opal polycarbonate direct/Clear polycarbonate indirect.

Drivers: For white LED, integral, HPF electronic drivers for 120-277V (EU-240V).

Drivers: For RGBW, integral HPF electronic drivers/DMX interfaces for 120-277V (EU-240V). Luminaires require a DMX controller by others.

PoE: Squiggle can integrate into your data network via Power over Ethernet (PoE) connectivity.

Mechanical: Luminaires mount directly over J box (by others - North America only).

Electrical: Luminaires are pre-wired with a factory installed branch circuit wiring with quick connectors. Through wiring is used to connect individual luminaires.

Integral Emergency system: Emergency option provides a 1.5 hour (3 hours for EU) emergency lighting facility. The self contained system includes the inverter module, NiCad batteries, LED charge indicator and test switch (NA only). Not available with a 347V supply.

L70 @25deg C: > 50,000 hrs.

Delivered Lumens: Delivered lumens & LPW based on 4000K (min 80 CRI) for White LEDs only.


Approvals: Damp Location (Indoor use only).

ORDERING EXAMPLE

To Create an "S Shape" order as follows:

Qty 4 - AX6/J3/K0/F2/D1/L0/C0/W0/U0 (Four curve parts)

Qty 2 - AX22/F2 (End Caps)

	Project 21-12877-3 Date 6/25/2021 RGB/W Saturated Color Submitted By 16500, INC	Catalog Number AX11 / J10 / K10 / F1 / CB11 / CC11 / L0 / E0 / C0 / W0 / U1 Notes	Type
--	--	---	------

SQUIGGLE

WEB PIN 144

Qty 3 - AX23 (Connectors)

Qty 1 - AX25/F2 (Power Cord)

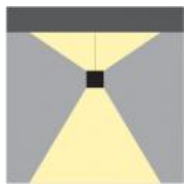
Each line to be ordered separately

PLEASE NOTE: Add 2 end caps per run and 1 power cord per 10 meter/32.8 ft run.

MOUNTING & OPTICS



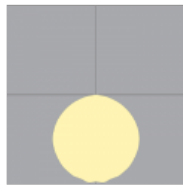
Suspended Direct



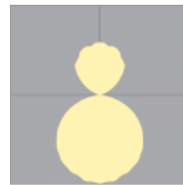
Suspended
Direct/Indirect



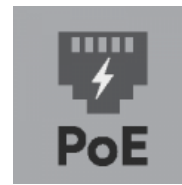
RGBW



Direct



Direct-indirect



PoE

sixteen5hundred	Project 21-12877-3 Date 6/25/2021 RGB/W Saturated Color	Catalog Number AX11 / J10 / K10 / F1 / CB11 / CC11 / L0 / E0 / C0 / W0 / U1	Type
	Submitted By 16500, INC	Notes	

SQUIGGLE

WEB PIN 144

HOW TO ORDER

A SPECIFY SECTIONS (SEE ORDERING EXAMPLE ABOVE)

Code	Section	Arc °	Radius	Length	Down/Up Ratio	Wattage	Delivered lms (White LEDs only)	LPW
AX1	Curve 16	90°	16"		100/0	21W	2057	99
AX2	Curve 30	90°	30"		100/0	41W	4081	98
AX3	Curve 42	120°	42"		100/0	83W	8167	98
AX4	Curve 48	120°	48"		100/0	90W	8864	98
AX5	Curve 54	120°	54"		100/0	104W	10132	97
AX6	Curve 72	90°	72"		100/0	104W	10294	99
AX7	Straight 28			28"	100/0	28W	2660	100
AX27	Straight 36			36"	100/0	35W	3430	99
AX8	Straight 47			47"	100/0	40W	3800	99
AX9	Straight 72			72"	100/0	69W	6883	99
AX10	Straight 95			95"	100/0	92W	9154	99
AX11	Curve 30	90°	30"		73/27	55W	5568	100
AX12	Curve 42	120°	42"		66/34	125W	12260	98
AX13	Curve 48	120°	48"		68/32	132W	12983	99
AX14	Curve 54	120°	54"		71/29	146W	14318	98
AX15	Curve 72	90°	72"		71/29	146W	14444	99
AX16	Straight 28			28"	70/30	35W	3320	101
AX28	Straight 36			36"	70/30	49W	4914	101
AX17	Straight 47			47"	70/30	58W	5510	102
AX18	Straight 72			72"	70/30	97W	9853	102
AX19	Straight 95			95"	70/30	135W	13740	102
AX20	Cross				100/0	43W	4150	98
AX21	Corner				100/0	21W	1900	91
AX22	End Cap							
AX23	Connector SC ¹							
AX24	Connector TC ²							
AX25	Power feed & canopy SC ¹							
AX26	Power feed & canopy TC ²							
AX30	RGBW connector SC ¹							
AX31	RGBW connector TC ²							
AX33	RGBW power feed & canopy							
AX29	RGBW dim. power feed & canopy TC ²							
AX32	RGBW dim. connector TC ²							

Additional Information

We highly recommend you supply a drawing to allow us to verify you have quoted correctly.

A drawing will be required at the time of order placement.

Cross and Corner sections (AX20 & AX21 respectively) are direct light only and can be used with both Direct and Direct/Indirect sections.

Corner sections and Curve 16 section **cannot** be used as stand alone fixtures.

End caps & connectors are complete with cable suspension.

Power feed and canopy: One feed for every 12m/40' of the circumference.

Recommended minimum suspension length from ceiling: 12" for White LEDs, 24" for Colored LEDs.

¹ SC = Single Circuit

² TC = Twin Circuit

SQUIGGLE

WEB PIN 144

B SPECIFY CCT/COLOR (DIRECT)

- J2 3000K (min 80 CRI)
- J3 3500K (min 80 CRI)
- J4 4000K (min 80 CRI)
- J7 Red
- J8 Green
- J9 Blue
- J10 RGBW

Additional Information

RGBW: to calculate wattage, reference IES files.

C SPECIFY CCT/COLOR (INDIRECT)

- K0 Indirect CCT not required
- K2 3000K (min 80 CRI)
- K3 3500K (min 80 CRI)
- K4 4000K (min 80 CRI)
- K7 Red
- K8 Green
- K9 Blue
- K10 RGBW

Additional Information

RGBW: to calculate wattage, reference IES files.

D SPECIFY FINISH

- F1 White
- F2 Black
- F20 Silver Metallic
- F27 Wood grain - Light Cherry
- F28 Wood grain - Dark Walnut

Additional Information

Note: The canopy will be white for fixtures with the wood grain finishes F27 & F28.

E SPECIFY DIMMING (DIRECT)

- CB1 0-10V Dimming (1.0%)
- CB2 0-10V Dimming (0.1%)
- CB3 347V, 0-10V Dimming (1.0%)
- CB4 DALI Dimming (0.1%)
- CB5 DALI Dimming (1.0%)
- CB6 DSI (EU only) ¹
- CB7 switchDim (EU only) ¹
- CB11 DMX Dimming
- CB12 PoE ²

Additional Information

¹ Not available in North America.

² Must be used with EV only.

SQUIGGLE

WEB PIN 144

F SPECIFY DIMMING (INDIRECT)

- CC0** Indirect dimming not required
- CC1** 0-10V Dimming (1.0%)
- CC2** 0-10V Dimming (0.1%)
- CC3** 347V, 0-10V Dimming (1.0%)
- CC4** DALI Dimming (0.1%)
- CC5** DALI Dimming (1.0%)
- CC6** DSI (EU only) ¹
- CC7** switchDim (EU only) ¹
- CC11** DMX Dimming
- CC12** PoE ²

Additional Information

¹ Not available in North America.

² Must be used with EV only.

G SPECIFY LUMEN OUTPUT

- L0** 100% of standard output
- L1** Lumen & wattage reduction to approximately 75% of standard output
- L2** Lumen & wattage reduction to approximately 50% of standard output
- L3** Lumen & wattage reduction to approximately 25% of standard output

Additional Information

Note: Custom reduction percentages available upon request.

H SPECIFY EMERGENCY

- E0** Emergency system not required
- E1** Emergency system - integral (direct illumination only, not available with CB3 or CC3 and AX11)

I SPECIFY CONTROLS


- C0** Controls not required
- C1** Encelium/Zigbee control

J SPECIFY SEPARATE SWITCHING

- W0** Single circuit
- W1** Separate switching

K SPECIFY DIFFUSER

- U0** Uplight diffuser not required
- U1** Clear Diffuser
- U2** Opal Diffuser (10% reduction on indirect lms)

	Project 21-12877-3 Date 6/25/2021 RGB/W Saturated Color Submitted By 16500, INC	Catalog Number AX11 / J10 / K10 / F1 / CB11 / CC11 / L0 / E0 / C0 / W0 / U1 Notes	Type
--	--	---	------

SQUIGGLE

WEB PIN 144

L OPTIONAL LOW VOLTAGE

EV Low Voltage

Additional Information

¹ To be used with CB12 & CC12 only.

EXAMPLE CODE

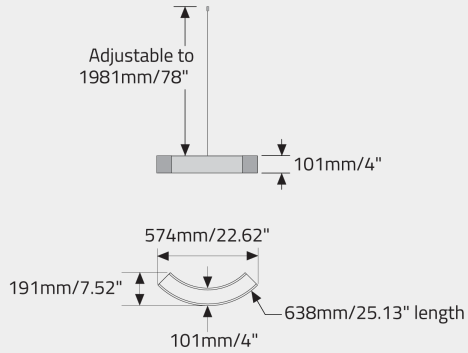
To create an S Shape order as follows: qty 4 of AX6/J3/K0/F2/D1/L0/E0/C0/W0/U0 qty 2 of AX22/F2 qty 3 of AX23 qty 1 of AX25/F2

SQUIGGLE

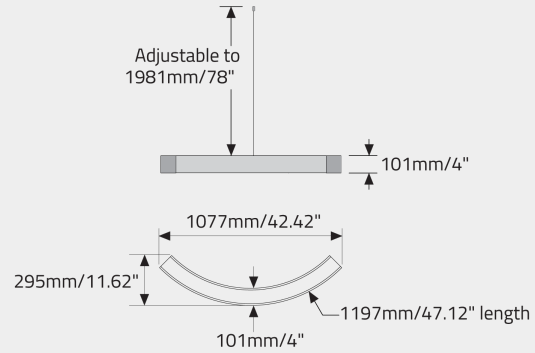
WEB PIN 144

DIMENSIONAL DIAGRAMS

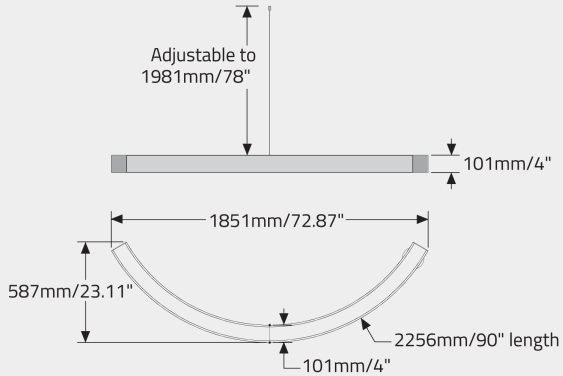
RADIUS 16"



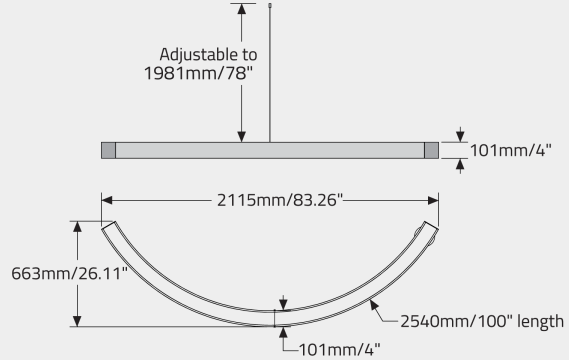
RADIUS 30"



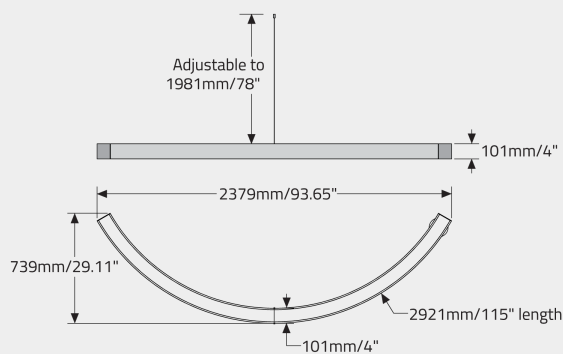
RADIUS 42"



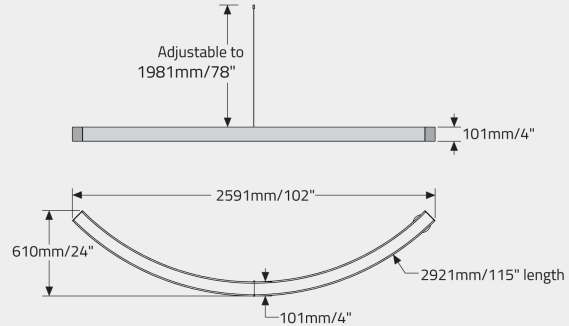
RADIUS 48"



RADIUS 54"



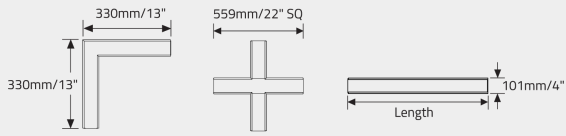
RADIUS 72"



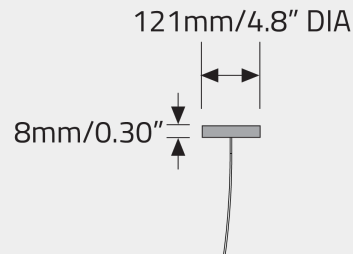
SQUIGGLE

⚡ WEB PIN 144

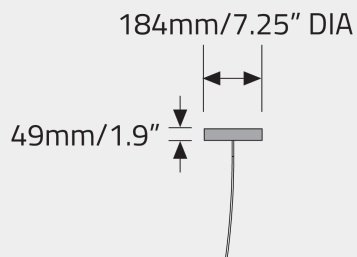
CORNER, CROSS & STRAIGHT SECTIONS



STANDARD CANOPY



RGBW / DMX CANOPY



APPROVALS

