

# KURL RGBW

WEB PIN 170



## GENERAL SPECIFICATION

**Body and trim:** Steel and aluminum.

**Finish:** Powder coated for standard finishes (black, Silver Metallic & white). For wood grain finishes, canopy will be white.

**Suspension:** Steel cables. Recommended minimum mounting heights from ceiling: 305mm/12" for White LEDs and 610mm/24" for Colored LEDs (Only for Direct/Indirect version).

**Power cables:** Silver braided, downlight only, c/w 1 power cable and 1 DMX cable

**Diffusers:** Opal polycarbonate direct, clear polycarbonate indirect, supplied in sections.

**Drivers: For white LED,** integral, HPF electronic drivers for 120-277V (EU-240V).

**Drivers: For RGBW,** integral HPF electronic drivers/DMX interfaces for 120-277V (EU-240V). Luminaires require a DMX controller by others.

**Separate Switching:** Standard.

**L70 @25deg C:** > 50,000 hrs.

**Delivered Lumens:** Delivered lumens & LPW based on 4000K (min 80 CRI) for White LEDs only. Color temperature for the RGBW White is 4000K (min 80 CRI).

**Approvals:** Damp Location (Indoor use only).

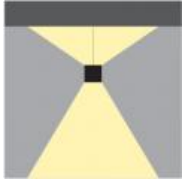
# KURL RGBW

⌘ WEB PIN 170

## MOUNTING & OPTICS



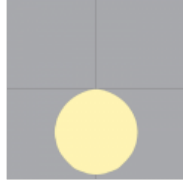
Suspended Direct



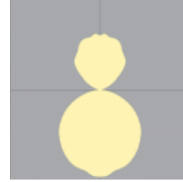
Suspended  
Direct/Indirect



RGBW



Direct



Direct-indirect

# KURL RGBW

WEB PIN 170

## HOW TO ORDER

### A SPECIFY LUMINAIRE

Code	Radius (A)	Arc °	Direct	Indirect	Direct lms	Indirect lms	LPW	White Only	Max Wattage
95 1200	42"	120°	RGBW	N/A	3534		125	28W	102W
95 1210	48"	120°	RGBW	N/A	3806		124	31W	110W
95 1220	54"	120°	RGBW	N/A	4428		126	35W	127W
95 1230	72"	90°	RGBW	N/A	4451		126	35W	127W
95 1300	42"	120°	RGBW	White	3532	4211	113	69W	142W
95 1310	48"	120°	RGBW	White	3825	4144	112	71W	151W
95 1320	54"	120°	RGBW	White	4406	4134	113	76W	168W
95 1330	72"	90°	RGBW	White	4452	4154	114	76W	168W
95 1400	42"	120°	White	RGBW	8172	1825	105	95W	132W
95 1410	48"	120°	White	RGBW	8850	1794	105	102W	138W
95 1420	54"	120°	White	RGBW	10201	1791	104	115W	152W
95 1430	72"	90°	White	RGBW	10311	1804	105	115W	152W
95 1600	42"	120°	RGBW	RGBW	3529	1820	126	42W	153W
95 1610	48"	120°	RGBW	RGBW	3824	1789	126	45W	161W
95 1620	54"	120°	RGBW	RGBW	4405	1789	125	49W	178W
95 1630	72"	90°	RGBW	RGBW	4451	1797	126	49W	178W

### B SPECIFY CCT (DIRECT, WHITE LEDS ONLY)

D30	3000K (min 80 CRI)
D35	3500K (min 80 CRI)
D40	4000K (min 80 CRI)

### C SPECIFY CCT (INDIRECT, WHITE LEDS ONLY)

N30	3000K (min 80 CRI)
N35	3500K (min 80 CRI)
N40	4000K (min 80 CRI)

### D SPECIFY DIMMING (WHITE LEDS)


D1	0-10V Dimming (1.0%)
D2	0-10V Dimming (0.1%)
DX	DMX

### E SPECIFY FINISH

BL	Black
MS	Silver Metallic
WH	White
Z1	Wood Grain - Light Cherry
Z2	Wood Grain - Dark Walnut

#### Additional Information

Note: The canopy will be white for fixtures with the wood grain finishes Z1 or Z2

	Project 21-12877-3 Date 6/25/2021 RGB/W   Saturated Color Submitted By 16500, INC	Catalog Number 95 1620 WH Notes	Type
--	--	---------------------------------------	------

# KURL RGBW

⌘ WEB PIN 170

## F SPECIFY LUMEN & WATTAGE REDUCTION

- PRO** Lumen & Wattage Reduction to approximately 25% of standard output
- PR1** Lumen & Wattage Reduction to approximately 50% of standard output
- PR2** Lumen & Wattage Reduction to approximately 75% of standard output

### Additional Information

*Note: White LEDs only. Custom reduction percentages available upon request.*

## G SPECIFY OPTIONS

- OD** Opal Diffuser for Uplight (10% reduction on indirect lms)

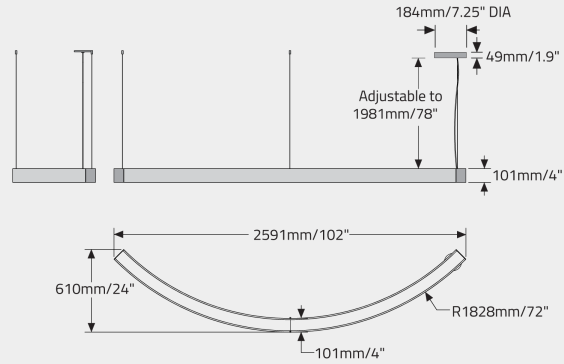
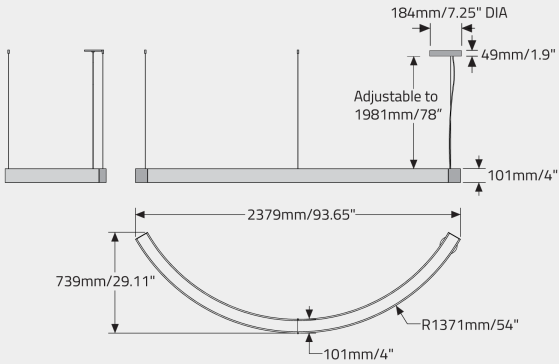
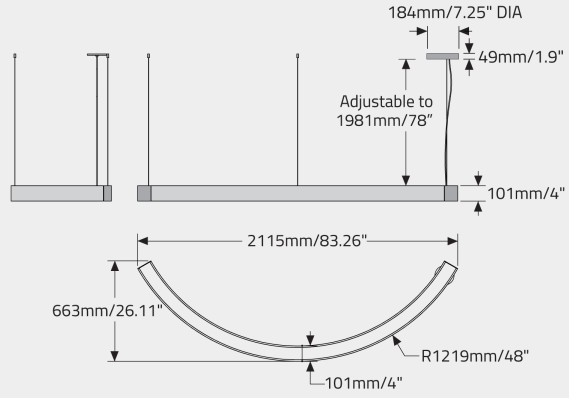
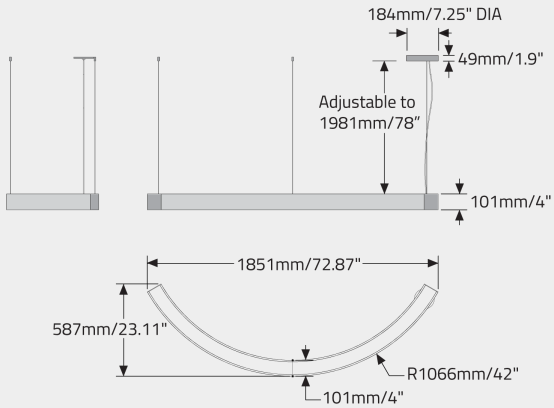
## EXAMPLE CODE

951330/N35/BL

# KURL RGBW

WEB PIN 170

## DIMENSIONAL DIAGRAMS



## APPROVALS

