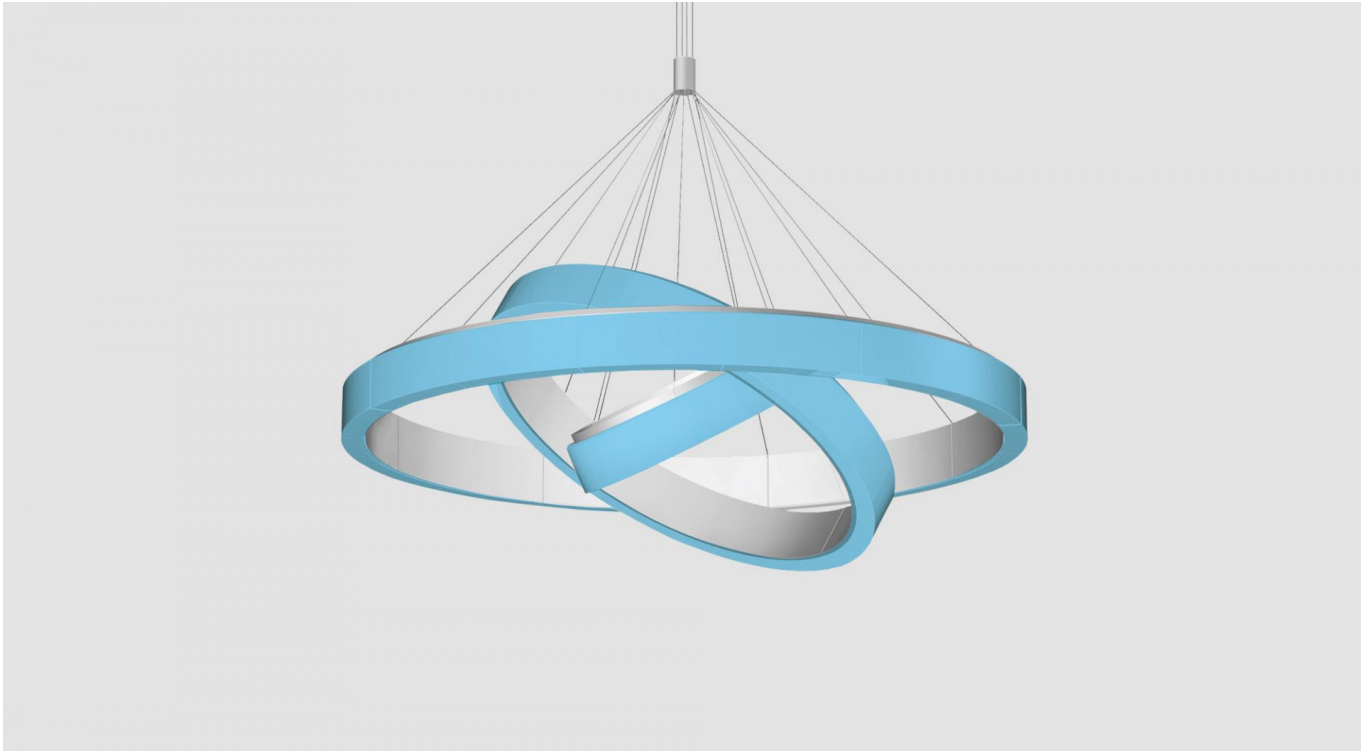


BUBBLE 3D RGB

WEB PIN 259



GENERAL SPECIFICATION

Housing: Round metal frame consisting of modules combined together for electrical and mechanical connection. Bubble 3D supplied in the following diameters: 1000mm (39.4"), 1800mm (70.9") and 2800mm (110.0").

Diffusers: Injection molded, UV stabilized, opal polycarbonate. Diffusers are sectional with subtle but visible seams Bubble 1000, 3 diffusers; Bubble 1800, 8 diffusers and Bubble 2800, 16 diffusers.

Drivers/power supplies: Luminaires supplied with remote electronic drivers/DMX interfaces, 120/277V. Connection of the power cords (approx. 12) to the remote drivers by others.

Power cables: Luminaires, supplied with 13.5m/35' of cable. Cables can be extended to a maximum overall distance of 20m/64'.

Custom cable lengths can be supplied to special order.

RGB control: Luminaires require a DMX controller by others.

Mechanical: Luminaires mount directly over a junction box.

Finish: White RAL 9003.

Delivered Lumens: Delivered lumens & LPW based on 3000K (min 80 CRI).

Note: Luminaire composed of 1 x Bubble 2800, 1 x Bubble 1800 and 1 x Bubble 1000 with suspended cables and canopy. Positions fixed as per drawing (see Dimensional Diagrams). Triple Circuit.

BUBBLE 3D RGB

WEB PIN 259

MOUNTING & OPTICS



Suspended Direct

BUBBLE 3D RGB

WEB PIN 259

HOW TO ORDER

A SPECIFY LUMINAIRE

Code	Type	Power (LED)	Weight
BC3DRGBP	Adjustable	RGB 264W+156W+80W	286.6lb
BC3DRGBLP	Low Profile	RGB 264W+156W+80W	286.6lb

B SPECIFY ACCESSORIES

150A031VE Umbrella tool for assembly/installation of Bubble 110" only. Retains structural integrity during the installation process

Additional Information

- One required per order

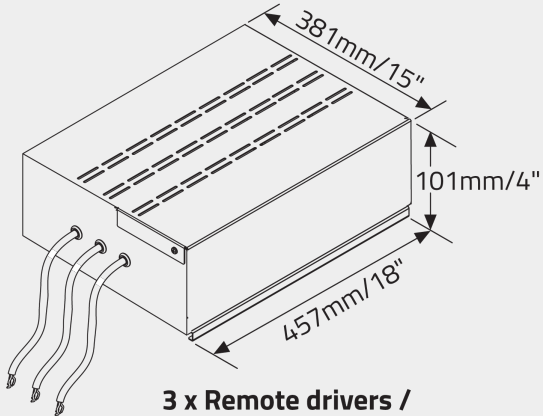
EXAMPLE CODE

BC3DRGBP

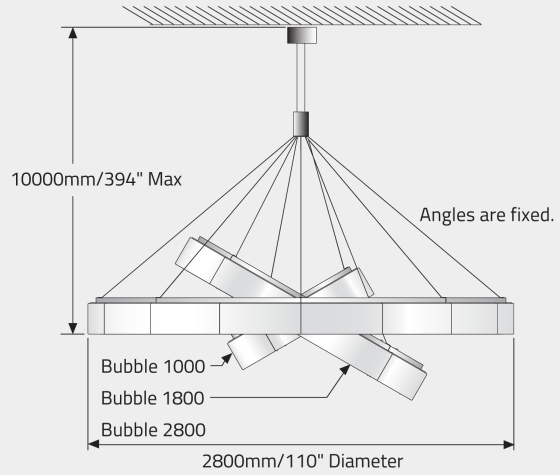
BUBBLE 3D RGB

WEB PIN 259

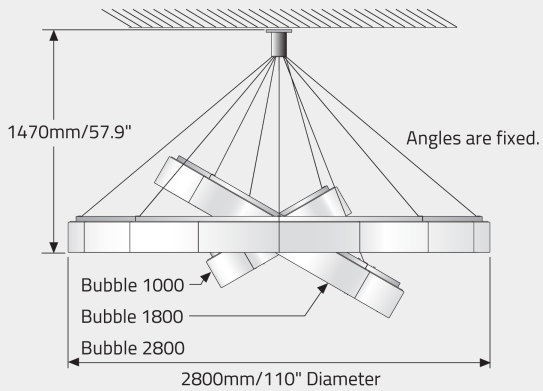
DIMENSIONAL DIAGRAMS



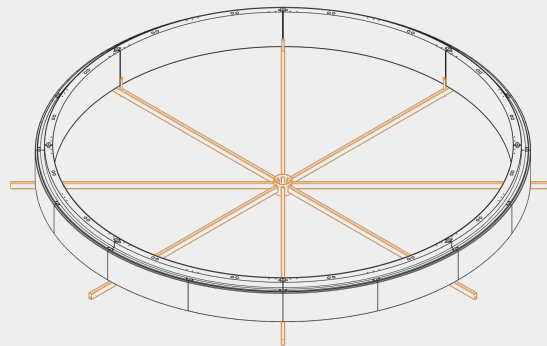
**3 x Remote drivers /
power supply included**



Adjustable Pendant option



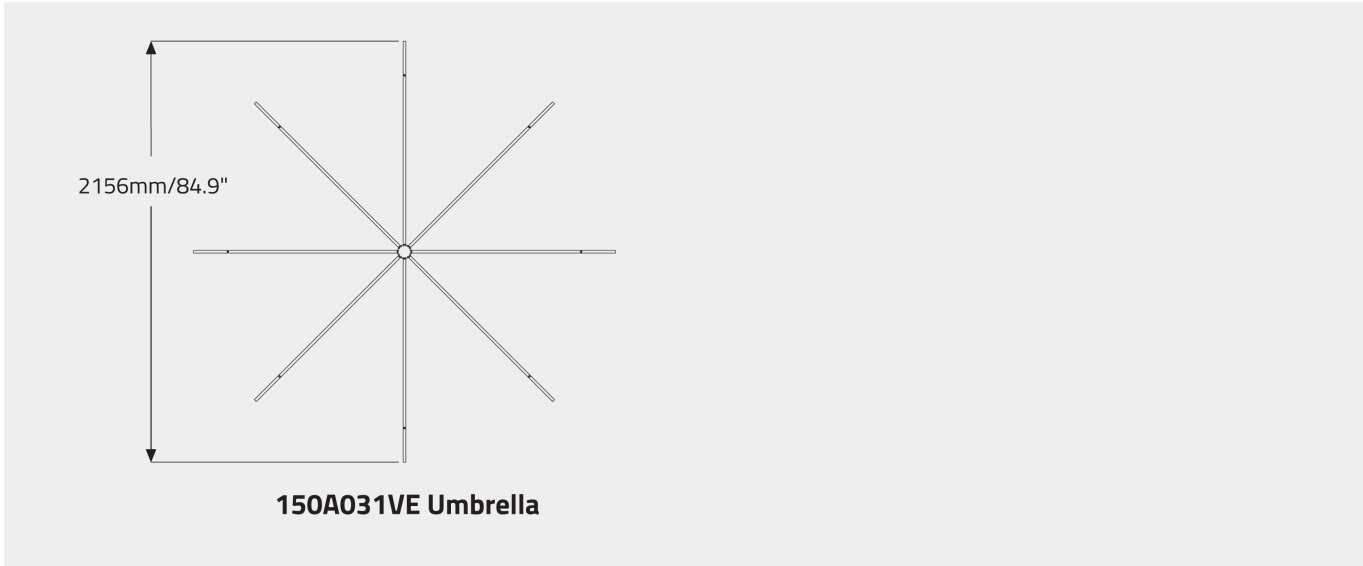
Low Profile Pendant option



Umbrella tool for assembly

BUBBLE 3D RGB

WEB PIN 259



APPROVALS



IP20