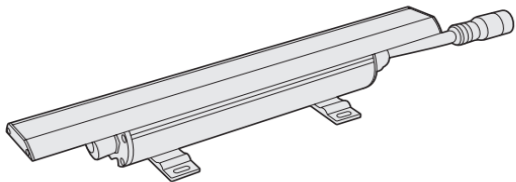


# AL COVE DMX™



**AL Cove DMX** is a high power, interior linear cove fixture, with standard and eco output modes. Available in 1' and 4' sections, it offers RGB, QW and dynamic white configurations. Featuring RDM addressing, a multi-voltage switching power supply, and linkable cable system, it is the perfect option for any interior cove applications.

## SPECIFICATIONS

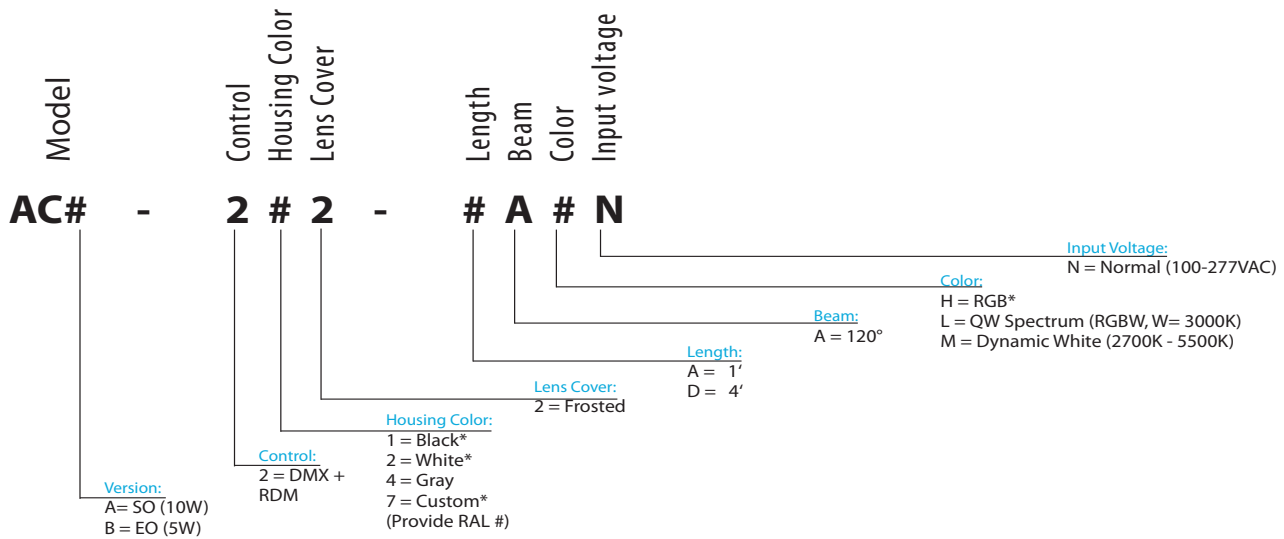
Color	RGB, QW w/ Spectrum Technology (RGBW, W=3000K), Dynamic White (2700K-5500K)
Available Lengths	1' & 4'
Beam Angle	110°
Max Fixtures In Series	100' (30m) @ 120V, 200' (60m) @ 240V+
Total Lumens	<b>SO:</b> QW 280 per foot / DW 482 per foot <b>EO:</b> QW 140 per foot / DW 220 per foot
Control	DMX / RDM
Mounting	30° Swivel Mount Included
Power Consumption	<b>SO:</b> 12W (1'), 48W (4'), <b>EO:</b> 5W (1'), 20W (4')
Operating Voltage	100-277VAC, 50/60Hz
Lumen Maintenance	L70 @ 150,000 Hours (25° C)
Finish	Gray standard, black, white or custom optional
Housing Material	Aluminum with polycarbonate lens
Operating Temperature	-4° F to 113° F (-20° C to 45° C)
IP Rating	IP20, Dry Location
Fixture Connectors	Attached Multipin 6 Conductor AC + DMX Lead, end to end link included
Warranty	5 Years, Limited
Weight	1 lb. / 0.45 kg (1'), 4' lbs. / 1.81 kg (4')
Dimensions	L: 12" / 48" W: 2.55" H: 2" (L: 305mm / 1220mm W: 65mm H: 51mm)
Certifications	

# AL COVE DMX™

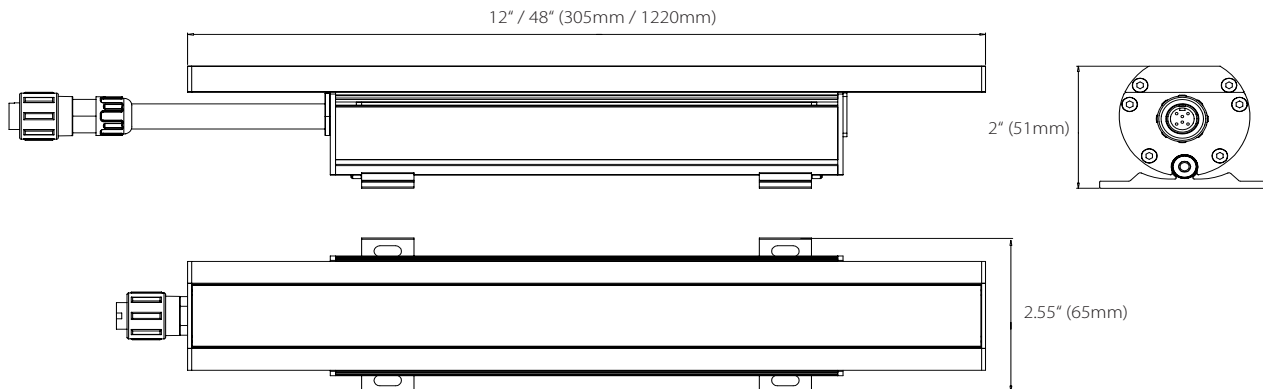


## ORDER CODES

\* Indicates Special Order



## DIMENSIONS



# AL COVE DMX™



## RELATED COMPONENTS

### Cables



**H6FC10**  
10' Feed Cable For AL Cove DMX + End Cap  
Powers up to 100' at 120VAC / 200' at 240V+



**H6LC1**  
1' Link Cable for AL Cove DMX



**H6LC5**  
5' Link Cable for AL Cove DMX

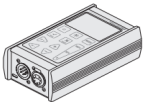


**H6LC10**  
10' Link Cable for AL Cove DMX



**H6EC**  
End Cap for AL Cove DMX

### Fixture Setup Accessories



**XMT350**  
DMX + RDM Addressing and Testing Tool