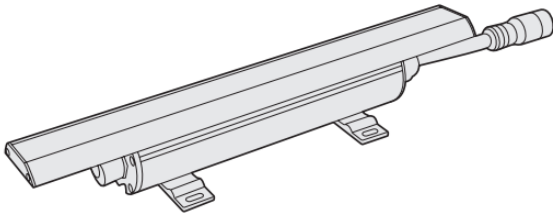


AL COVE DMX™



Client:

Project:

Type:



Order Code:

Quantity:



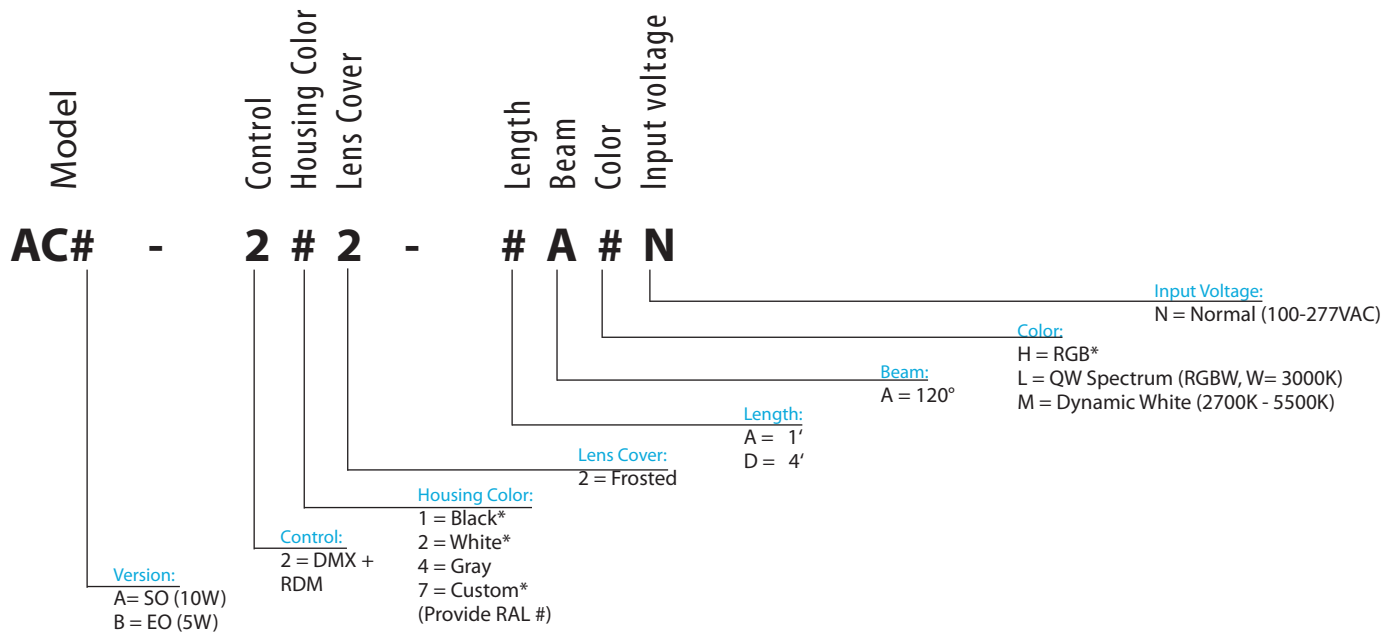
AL Cove DMX is a high power, interior linear cove fixture, with standard and eco output modes. Available in 1' and 4' sections, it offers RGB, QW and dynamic white configurations. Featuring RDM addressing, a multi-voltage switching power supply, and linkable cable system, it is the perfect option for any interior cove applications.

SPECIFICATIONS

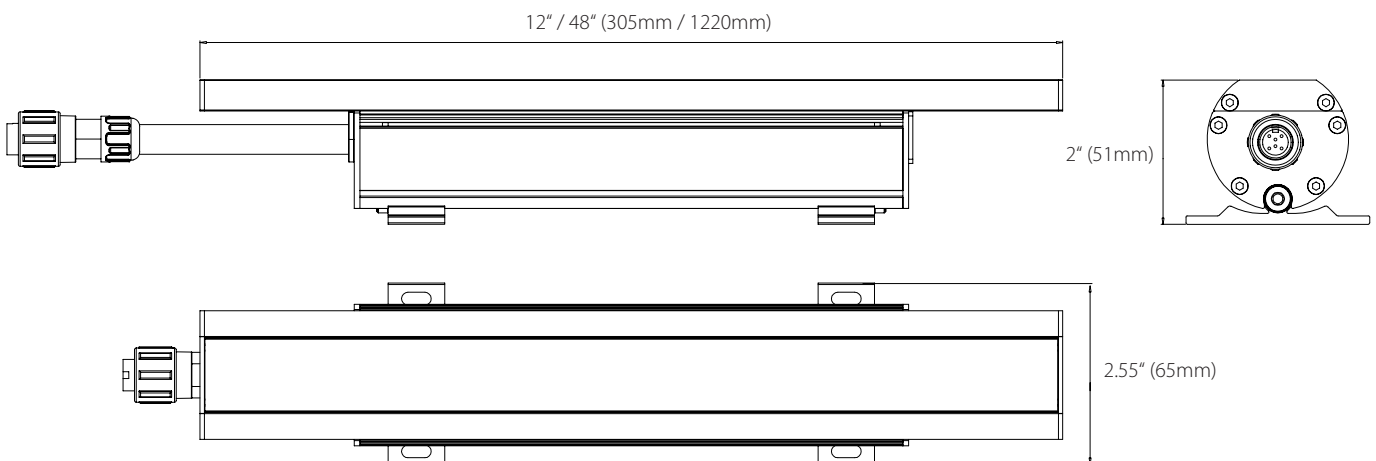
Color	RGB, QW w/ Spectrum Technology (RGBW, W=3000K), Dynamic White (2700K-5500K)
Available Lengths	1' & 4'
Beam Angle	110°
Max Fixtures In Series	100' (30m) @ 120V, 200' (60m) @ 240V+
Total Lumens	SO: QW 280 per foot / DW 482 per foot EO: QW 140 per foot / DW 220 per foot
Control	DMX / RDM
Mounting	30° Swivel Mount Included
Power Consumption	SO: 12W (1'), 48W (4'), EO: 5W (1'), 20W (4')
Operating Voltage	100-277VAC, 50/60Hz
Lumen Maintenance	L70 @ 150,000 Hours (25° C)
Finish	Gray standard, black, white or custom optional
Housing Material	Aluminum with polycarbonate lens
Operating Temperature	-4° F to 113° F (-20° C to 45° C)
IP Rating	IP20, Dry Location
Fixture Connectors	Attached Multipin 6 Conductor AC + DMX Lead, end to end link included
Warranty	5 Years, Limited
Weight	1 lb. / 0.45 kg (1'), 4' lbs. / 1.81 kg (4')
Dimensions	L: 12" / 48" W: 2.55" H: 2" (L: 305mm / 1220mm W: 65mm H: 51mm)
Certifications	 

ORDER CODES

* Indicates Special Order



DIMENSIONS



RELATED COMPONENTS

Cables



H6FC10

10' Feed Cable For AL Cove DMX + End Cap
Powers up to 100' at 120VAC / 200' at 240V+



H6LC1

1' Link Cable for AL Cove DMX



H6LC5

5' Link Cable for AL Cove DMX



H6LC10

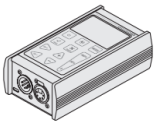
10' Link Cable for AL Cove DMX



H6EC

End Cap for AL Cove DMX

Fixture Setup Accessories



XMT350

DMX + RDM Addressing and Testing Tool