

**MARK** ARCHITECTURAL LIGHTING

**SPECIFICATIONS**



**MARKCOVE**

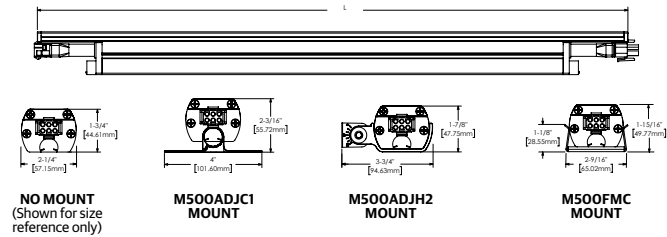
LINEAR COVE  
DYNAMIC COLOR

**HIGHLIGHTS**

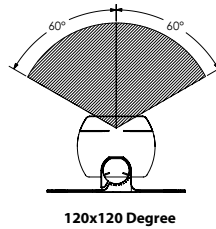
- Small, versatile and impactful
- Extruded aluminum construction
- RGBW - Red, Green, Blue, White produces saturated color and pastels
- Wide 120 x 120 distribution
- Powerful Range 600 or 750 lumens per foot
- Efficient with up to 90 lumens per watt
- DMX with Remote Device Management
- Full compliment of mounting and shielding accessories
- Manufactured in USA

**DIMENSIONS**

Reference Drawing Detail section for additional information



**STANDARD DISTRIBUTION**



**LUMEN OUTPUT**

MCV502 RGBW		
Nominal Lumens	650LMF	750LMF
Delivered Lumens	624	744
Input Watts	7.48	8.95
Lumens/Watt	83	83



eldoLED



ARCHITAINMENT  
COLOR

AcuityBrands



# MARKCOVE

## Linear Cove Dynamic Color

### ORDERING

Example: MCV502 LLP 40FT MSL4 M500FMC ARTC RGBW 750LMF 120X120DEG DARK MVOLT WTP DMX MFCL10TL

Series	Linear Plan	Total Run Length	Max Section Length	Mounting	Mounting Option
<b>MCV502</b> MARKCOVE 502	<b>LLP</b> Linear Longest Possible <b>LSL</b> Linear Same Length <b>LCB</b> Linear Center Balance	<b>_FT</b> Specify continuous linear feet in 1' increments, with a minimum of 2'. (Example: 24FT)	<b>MSL2</b> 2' <b>MSL3</b> 3' <b>MSL4</b> 4'	<b>M500ADJC1</b> Adjustable Mount Center Axis <b>M500ADJH2</b> Adjustable Mount Side Hinge <b>M500FMC</b> Fixed Mount	<b>(blank)</b> No Cantilever option <b>MCBT12</b> Cantilever Bracket 12" Projection <b>MCBT18</b> Cantilever Bracket 18" Projection <b>MCBT6</b> Cantilever Bracket 6" Projection <b>MCBT12</b> Cantilever Bracket Large 12" projection <b>MCBT18</b> Cantilever Bracket Large 18" projection <b>MCBT6</b> Cantilever Bracket Large 6" projection Must have M500ADJH2 Mounting selected.
Dynamic Feature	Dynamic Range	Direct LED Light Output	Distribution	Minimum Dimming Level	Optional Shielding
<b>ARTC</b> Archtainment Color	<b>RGBW</b> Dynamic Color Red Green Blue White	<b>650LMF</b> 650 Nominal Lumens per Foot <b>750LMF</b> 750 Nominal Lumens per Foot	<b>120X120DEG</b> 120 x 120 degrees	<b>DARK</b> Constant Current, Dimming to <1%	<b>(blank)</b> No Shielding <b>MBFC</b> Baffle Linear Cove (Matte black finish) <b>MGVC</b> Glare Visor linear Cove (Finish to match housing)

Voltage	Finish	Control Input	Power Feed
<b>MVOLT</b> 120-277 Volt	<b>WTP</b> White Textured Paint <b>SIT</b> Silver Textured Paint <b>BKT</b> Black Textured Paint <b>RALTBDB*</b> RAL Color TBD <b>CPF</b> Custom Paint Finish *RALTBDB for pricing only. Replace TBD with applicable number when placing order.	<b>DMX</b> DMX	<b>M500WBXL</b> Wire Splice Box, Left Feed, Interior Location, for Conduit Termination <b>M500WBXR</b> Wire Splice Box, Right Feed, Interior Location, for Conduit Termination <b>MFCL100TL</b> 100FT Feed Cable Interior Location Left Feed <b>MFCL100TR</b> 100FT Feed Cable Interior Location Right Feed <b>MFCL10TL</b> 10FT Feed Cable Interior Location Left Feed <b>MFCL10TR</b> 10FT Feed Cable Interior Location Right Feed <b>MFCL25TL</b> 25FT Feed Cable Interior Location Left Feed <b>MFCL25TR</b> 25FT Feed Cable Interior Location Right Feed <b>MFCL50TL</b> 50FT Feed Cable Interior Location Left Feed <b>MFCL50TR</b> 50FT Feed Cable Interior Location Right Feed <b>NOFCL</b> No Power Feed Cable

Accessories	
Controller (Fresco Control System)	See page 6
Controller (Easy!™ Solo / Touch / Pro)	See page 6
DMX-Power Integrator (required for installation)	See page 6
Feed Cable (required for installation)	See page 6-7
Jumper Cable	See page 7
Wire Splice Box	See page 8
Liquid-Tight Cord Grip	See page 9
Glare Visor	See page 8
Baffle	See page 8
Brackets	See page 9

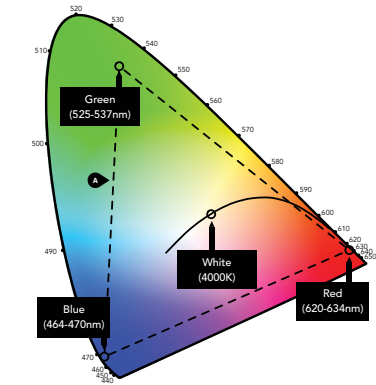
Model	Length	Weight
<b>MCV502</b>	24-1/4" (616 mm)	3.0 lbs (1.36 kg)
	36-1/8" (918 mm)	3.5 lbs (1.59 kg)
	48" (1219 mm)	4.5 lbs (2.04 kg)

**PERFORMANCE DATA**

Lumens Per Foot	Fixture Length	Distribution	Delivered Lumens	Input Watts	Lumen/Watt	Delivered Lumens Per Foot	Input Watts Per Foot
650	2FT	120x120	1177	16.04	73	589	8.02
	3FT	120x120	1834	22.72	81	611	7.57
	4FT	120x120	2495	29.91	83	624	7.48
750	2FT	120x120	1404	19.19	73	702	9.60
	3FT	120x120	2188	27.18	81	729	9.06
	4FT	120x120	2976	35.78	83	744	8.95

Lumen values are from photometric tests performed in accordance with IESNA LM-79-08. Data is considered to be representative of the configurations shown, within the tolerances allowed by Lighting Facts. Actual performance may differ as a result of end-user environment and application. Contact factory for performance data on any configurations not shown here.

**RGBW GAMUT AND RANGE**



- The Gamut of a luminaire determines the potential color range, specifically the dominant wavelength of each primary color.
- The Path determines the range of colors the user can select for the luminaire.

**ARCHITAINMENT COLOR GPHD**

- Gamut Triangular
- Path Full RGB gamut
- Handle Four Handles: Red, Green, Blue, White
- Data DMX512/RDM

The RGBW Range reaches the full range of saturated colors and subtle pastels to create bold transformational effects.

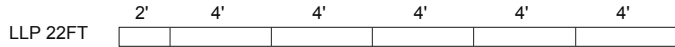
**A** RGBW Range within triangle formed by RGB

**LINEAR PLAN**

Mark offers the ability to provide a continuous run plan to suit your requirements by optionally offering three methods of configuration.

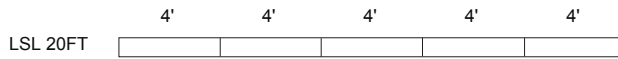
**LLP** Longest Length Possible:

In this plan the longest length available is optimized resulting in the fewest segments and mounting locations. Caution should be used where balanced appearance is a concern. Example: 22FT row would have (5) 4FT segments and (1) 2FT segment located at one end.



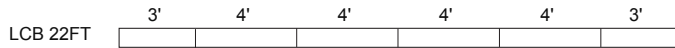
**LSL** Longest Same Length:

In this configuration each segment is the same length is standardized based on the longest length available and is the only option provided. Because it is dependent on one segment length there are mathematical limitations on what overall row lengths can be achieved. Example: 20FT row would be achieved with (5) 4FT long segments equaling 20FT (nominal).

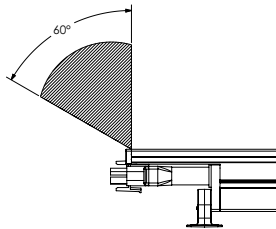
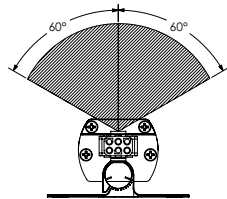


**LCB** Longest Center Balanced:

This configuration incorporates the longest center segment(s) along with any additional lengths required to fill located at each end. Example: 22FT row would have (2) 3FT segments (one at each end) and (4) 4FT intermediate segments located in between.



**DISTRIBUTION**



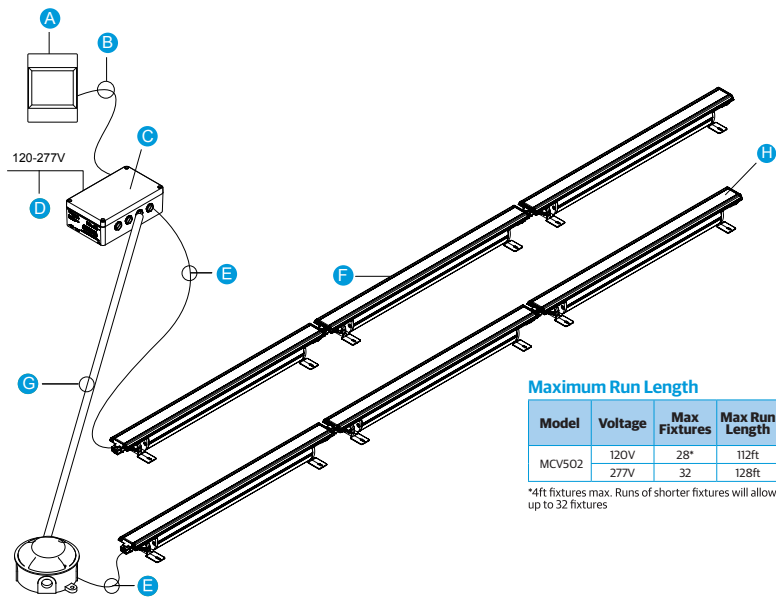
120x120 Degree

**MARK** ARCHITECTURAL LIGHTING

**MARKCOVE**  
Linear Cove  
Dynamic Color

**BASIC SYSTEM WIRING INFORMATION WITH DMX**

This very basic system wiring diagram provides an overview of components and materials required for a simple installation of MCV502 luminaires controlled by a DMX controller. These diagrams should not be used in place of actual installation instructions or submittal drawings prepared for a specific project.



**Maximum Run Length**

Model	Voltage	Max Fixtures	Max Run Length
MCV502	120V	28*	112ft
	277V	32	128ft

\*4ft fixtures max. Runs of shorter fixtures will allow up to 32 fixtures

**A** DMX controller providing one universe of DMX-512 control.

To supply a complete system RDM set-up and playback control solution, use:

Easy!

- Three versions available from entry-level to show creation using computer software
- Full color LCD touchscreen
- Recall colors, shows, and effects with one touch

Fresco

- Manage multiple light sources in multiple lighting zones, all from one controller
- On screen lighting design and set-up, no computer required or Ethernet connection for remote configuration and advanced control
- All device settings are stored on-board in non-volatile memory

**B** Belden 9829 cable is the preferred communication/data cable used to carry the DMX signal to and from the DPI Box. The total length of this cable must not exceed 1000 feet from the DMX controller to the DPI Box. No luminaires should be installed between DMX Controller and any DPI Box.

**C** DPI box (Data Power Integration) is used to bundle DMX to line voltage and deliver them to the luminaire. This box provides necessary isolation between the DMX control and line voltage and is required for all MCV502 installations. The DPI box also serves as a 4-channel splitter enabling up to 128 fixtures to be controlled from a single DPI box. Refer to DPI Installation Sheet for dimensions and mounting details.

**D** 120V-277V input to DPI box. Metallic conduit and standard fittings are compatible as are multi-conductor cords provided they are appropriate to the mounting location.

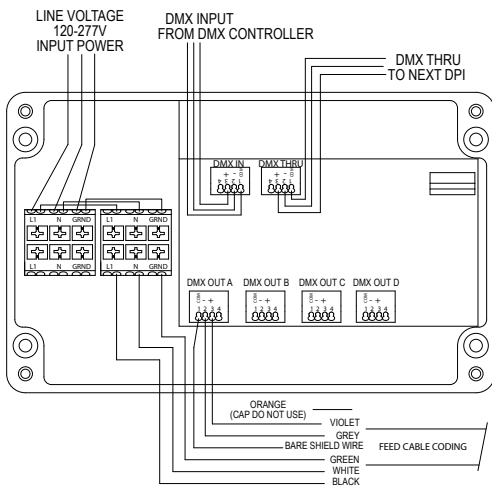
**E** Feed cable connects junction box with first fixture in a run. 14 ga. conductors carry power, shielded 18 ga. conductors carry data. Input end is stripped for connection to the Junction or DPI box, output end includes a male or female plug for fixture connection. Also included with each feed cable is a termination/sealing cap for the end of each run. Contact factory for availability of custom feed cable lengths.

**F** A maximum of 32 luminaires can be connected to a single output channel of the DPI box. The maximum length of cord and luminaire run combined is 1000 feet per DMX/RDM specification.

**G** Power and Data can be run to junction box locations in rigid conduit. Use Belden 9829 for data and copper wire per local code for power. Use appropriate fitting for combination cord.

**H** To ensure data integrity, a termination/sealing cap with 120 Ohm resistor is required at the last luminaire in each run. See installation instructions.

**Power & DMX Connection in DPI Box**



A dynamic luminaire installation can be as simple as a single luminaire and one control to many different luminaires in multiple locations being triggered and manipulated in real time. Consulting with the factory at the beginning stages of the project will ensure the required equipment be specified and properly installed.

Note: For multiple runs and multiple DPI boxes, consult factory.

Note: No more than four DPI Boxes, in series, can be utilized between the DMX Controller and any luminaire.

**Easy! Controller**



**Fresco Control System**



**MARK** ARCHITECTURAL LIGHTING

**MARKCOVE**  
 Linear Cove  
 Dynamic Color

**ACCESSORY OPTIONS**

**Fresco Control System**

Series	Model	Options	Finish
<b>FCS</b> Fresco Control System	<b>7TSN</b> 7" touchscreen with nLight port	<b>(blank)</b> nlight only <b>X</b> DMX/RDM control	<b>DBL</b> Black <b>DWH</b> White <b>DNA</b> Natural Aluminum



Refer to [FRESCO](#) spec sheet for additional details and options

**EasyL™ LED Show Controller with LCD touchscreen (integral power supply)**

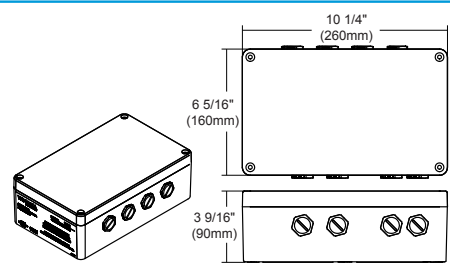
Series	Voltage	Finish
<b>EZSOLO</b> EasyL Solo	<b>MVOLT</b> 120V-277V VAC, 50/60 Hz	<b>BK</b> Black
<b>EZTOUCH</b> EasyL Touch		<b>WH</b> White
<b>EZPRO</b> EasyL Pro		



Refer to [EASYL](#) spec sheet for additional details and options

**DMX / Power Integrator**

Model
<b>MDPI4W</b> DPI4W- DMX/POWER INTEGRATOR BOX



Integrates DMX signal & 120-277 line voltage onto a single cable. Exterior rated, up to 4 output feeds, Silver Textured Finish.

**Environmental Information**

Storage Temperature	40° F - 185° F
Start-up Temperature	13° F - 122° F
Operating Temperature	13° F - 122° F
Ingress Protection Rating	IP65
Environment	Suitable for indoor and outdoor applications

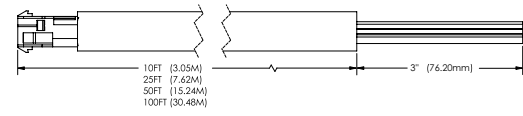
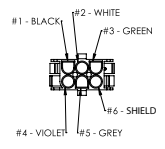
**Feed Cable, Right Feed (Female Plug)**

\*Minimum of one feed cable, left or right, required per installation

Carries DMX signal and 120-277 line voltage power to right end of first fixture in run. Supplied with termination/sealing cap. \*Use one feed cable per run only.\*

Model
-------

- MFCL10TR BCRD DXP** 10FT Feed Cable w/ Sealing Cap, Right Feed, Interior Location (Black)
- MFCL25TR BCRD DXP** 25FT Feed Cable w/ Sealing Cap, Right Feed, Interior Location (Black)
- MFCL50TR BCRD DXP** 50FT Feed Cable w/ Sealing Cap, Right Feed, Interior Location (Black)
- MFCL100TR BCRD DXP** 100FT Feed Cable w/ Sealing Cap, Right Feed, Interior Location (Black)
- MFCL10TR WCRD DXP** 10FT Feed Cable w/ Sealing Cap, Right Feed, Interior Location (White)
- MFCL25TR WCRD DXP** 25FT Feed Cable w/ Sealing Cap, Right Feed, Interior Location (White)
- MFCL50TR WCRD DXP** 50FT Feed Cable w/ Sealing Cap, Right Feed, Interior Location (White)
- MFCL100TR WCRD DXP** 100FT Feed Cable w/ Sealing Cap, Right Feed, Interior Location (White)



**MARK** ARCHITECTURAL LIGHTING

**MARKCOVE**  
Linear Cove  
Dynamic Color

**ACCESSORY OPTIONS (CONTINUED)**

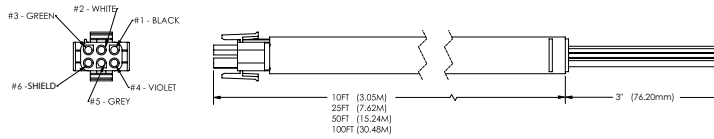
**Feed Cable, Left Feed (Male Plug)**

\*Minimum of one feed cable, left or right, required per installation

Carries DMX signal and 120-277 line voltage power to left end of first fixture in run. Supplied with termination/sealing cap. \*Use one feed cable per run only.\*

**Model**

- MFCL10TL BCRD DXP** 10FT Feed Cable w/ Sealing Cap, Left Feed, Interior Location (Black)
- MFCL25TL BCRD DXP** 25FT Feed Cable w/ Sealing Cap, Left Feed, Interior Location (Black)
- MFCL50TL BCRD DXP** 50FT Feed Cable w/ Sealing Cap, Left Feed, Interior Location (Black)
- MFCL100TL BCRD DXP** 100FT Feed Cable w/ Sealing Cap, Left Feed, Interior Location (Black)
- MFCL10TL WCRD DXP** 10FT Feed Cable w/ Sealing Cap, Left Feed, Interior Location (White)
- MFCL25TL WCRD DXP** 25FT Feed Cable w/ Sealing Cap, Left Feed, Interior Location (White)
- MFCL50TL WCRD DXP** 50FT Feed Cable w/ Sealing Cap, Left Feed, Interior Location (White)
- MFCL100TL WCRD DXP** 100FT Feed Cable w/ Sealing Cap, Left Feed, Interior Location (White)

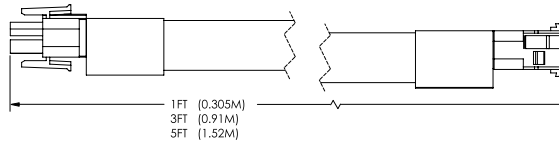


**Jumper Cable \*Optional\***

Carries DMX signal and 120-277 line voltage power between two units in a run when larger spacing between units is required.

**Model**

- MJCLW1T BCRD** 1FT Jumper Cable Interior Location (Black)
- MJCLW3T BCRD** 3FT Jumper Cable Interior Location (Black)
- MJCLW5T BCRD** 5FT Jumper Cable Interior Location (Black)
- MJCLW1T WCRD** 1FT Jumper Cable Interior Location (White)
- MJCLW3T WCRD** 3FT Jumper Cable Interior Location (White)
- MJCLW5T WCRD** 5FT Jumper Cable Interior Location (White)

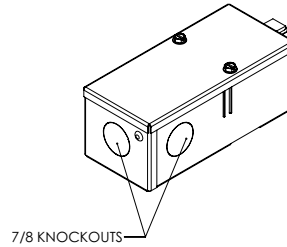


**ACCESSORY OPTIONS (CONTINUED)**

**Wire Splice Box, Right Feed (Female Plug), \*Optional\***  
**\*Minimum of one wire splice box, left or right, required for installation**

**Model**

<b>M500WBXR DXP</b>	Wire Splice Box w/ Sealing Cap, Right Feed, Interior Location (Galvanized Steel)
<b>M500WBXR WTPP DXP</b>	Wire Splice Box,w/ Sealing Cap, Right Feed, Interior Location (White)

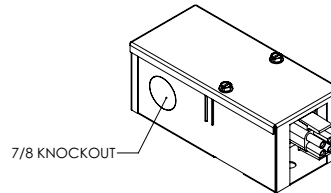


Replaces feed cable for areas where flexible cord cannot be used to bring input DMX signal and 120-277 line voltage power to right end of beginning of run. Box allows 1/2" NPT conduit fitting connection and area for building wire splice connections. Supplied with termination/sealing cap.  
\*Use one wire splice box per run only.\*

**Wire Splice Box, Left Feed (Male Plug), \*Optional\***  
**\*Minimum of one wire splice box, left or right, required for installation**

**Model**

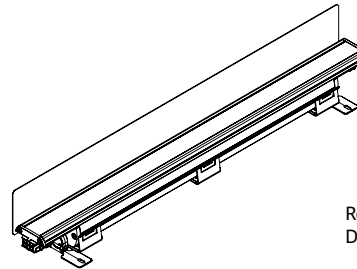
<b>M500WBXL DXP</b>	Wire Splice Box,w/ Sealing Cap, Left Feed, Interior Location (Galvanized Steel)
<b>M500WBXL WTPP DXP</b>	Wire Splice Box,w/ Sealing Cap, Left Feed, Interior Location (White)



Replaces feed cable for areas where flexible cord cannot be used to bring input DMX signal and 120-277 line voltage power to right end of beginning of run. Box allows 1/2" NPT conduit fitting connection and area for building wire splice connections. Supplied with termination/sealing cap.  
\*Use one wire splice box per run only.\*

**Glare Visor (Linear) \*Optional\***

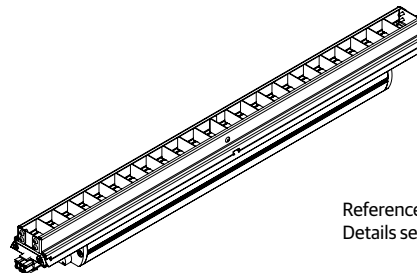
Model	Fixture Section	Finish
<b>MGVCS</b> Glare Visor Linear Cove	<b>U2</b> 2FT Length Unit	<b>BKT</b> Black Textured Paint
	<b>U3</b> 3FT Length Unit	<b>SIT</b> Silver Textured Paint
	<b>U4</b> 4FT Length Unit	<b>WTP</b> White Textured Paint
		<b>RALTB</b> RAL Paint Finish
		<b>CPF</b> Custom Painted Finish



Reference Additional Accessory Details section for dimensions

**Baffle (Linear) \*Optional\***

Model	Fixture Section
<b>MBFCS</b> Baffle Linear Cove (Available in matte black finish only)	<b>U2</b> 2FT Length Unit
	<b>U3</b> 3FT Length Unit
	<b>U4</b> 4FT Length Unit



Reference Additional Accessory Details section for dimensions



**MARK** ARCHITECTURAL LIGHTING

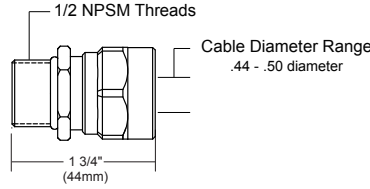
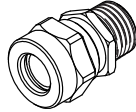
**MARKCOVE**  
Linear Cove  
Dynamic Color

**ACCESSORY OPTIONS (CONTINUED)**

**Liquid-Tight Cord Grip \*Optional\***

Model
-------

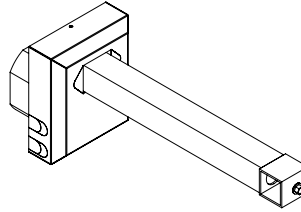
**MCORDGP2** Liquid-Tight Cord Grip  
(Use to secure and seal feed cord to DPI Box)



Connector to secures and seal feed cord.

**Brackets \*Optional\***

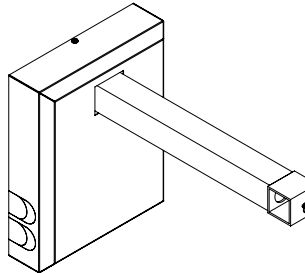
Series	Finish
<b>MCBT6</b> Cantilever Bracket 6" Projection	<b>BKT</b> Black Textured Paint
<b>MCBT12</b> Cantilever Bracket 12" Projection	<b>SIT</b> Silver Textured Paint
<b>MCBT18</b> Cantilever Bracket 18" Projection	<b>WTP</b> White Textured Paint
	<b>RALTB</b> RAL Paint Finish
	<b>CPF</b> Custom Painted Finish



Reference Additional Accessory Details section for dimensions

**Brackets \*Optional\***

Series	Finish
<b>MCBTL6</b> Cantilever Bracket Large 6" Projection	<b>BKT</b> Black Textured Paint
<b>MCBTL12</b> Cantilever Bracket Large 12" Projection	<b>SIT</b> Silver Textured Paint
<b>MCBTL18</b> Cantilever Bracket Large 18" Projection	<b>WTP</b> White Textured Paint
	<b>RALTB</b> RAL Paint Finish
	<b>CPF</b> Custom Painted Finish



For use with surface mount junction box (by others) and surface mounted conduit (by others).

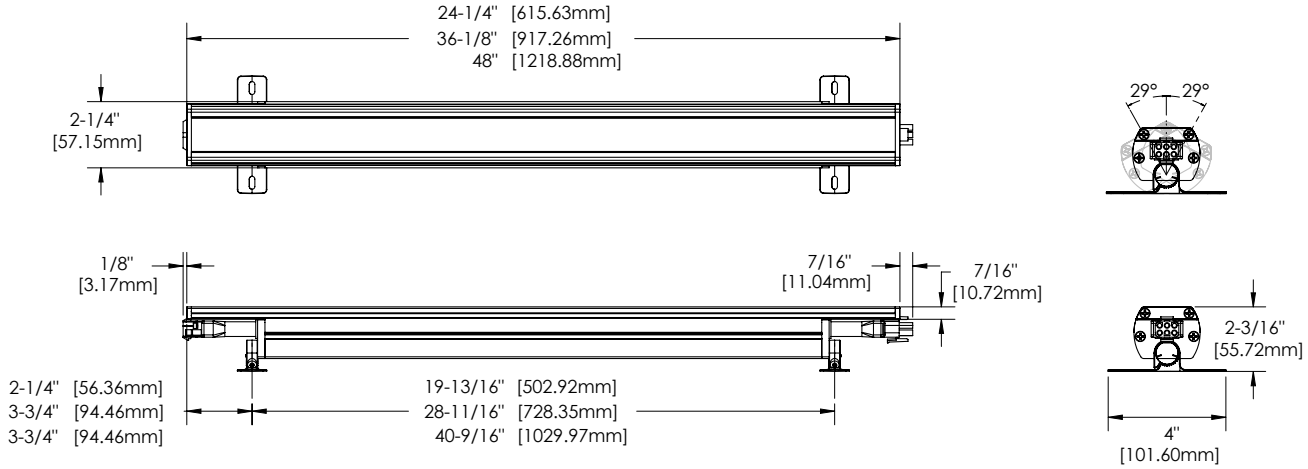
Reference Additional Accessory Details section for dimensions

**MARK** ARCHITECTURAL LIGHTING

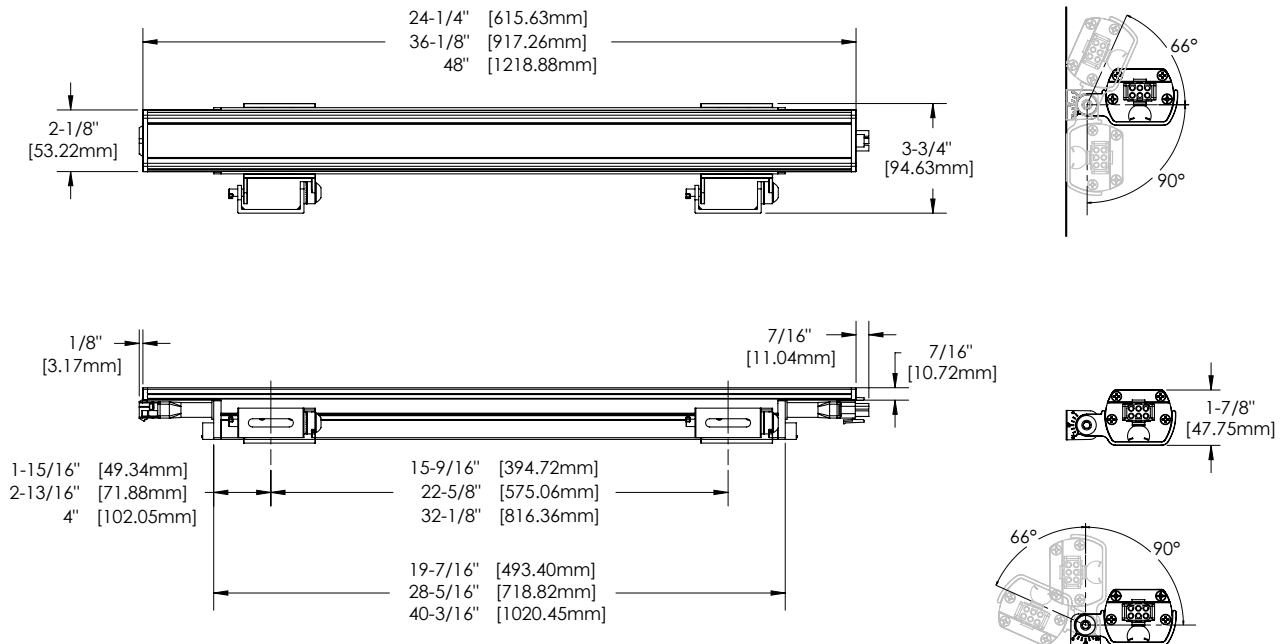
**MARKCOVE**  
Linear Cove  
Dynamic Color

**DRAWING DETAILS**

**M500ADJC1 - Adjustable Mount Center Axis**



**M500ADJH2 - Adjustable Mount Side Hinge**

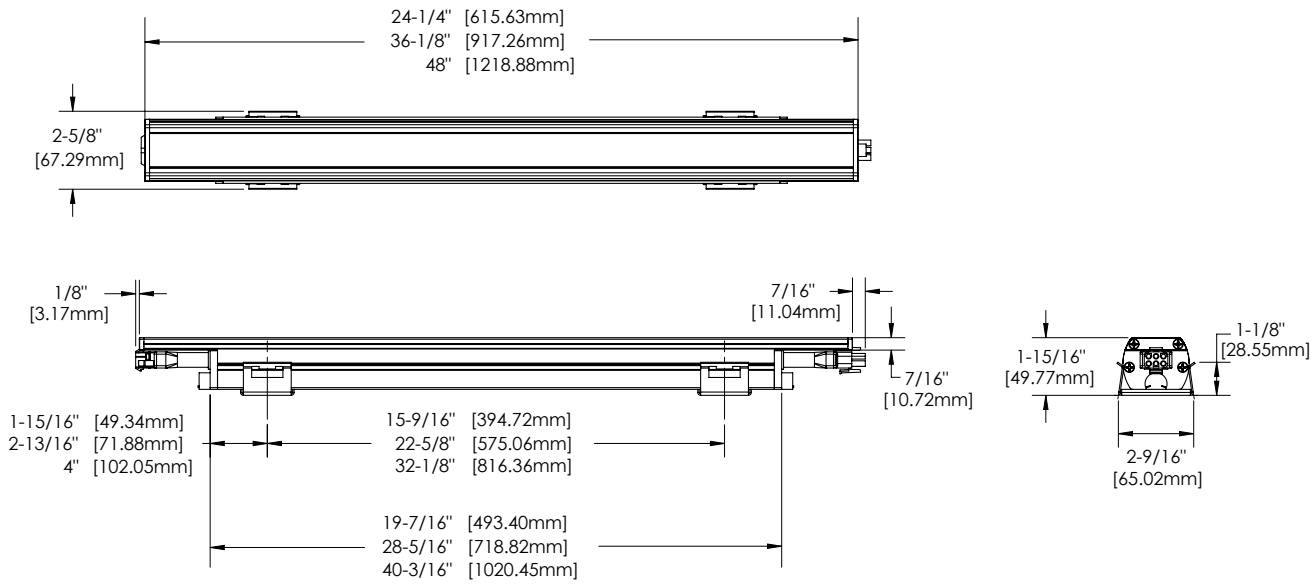


**MARK** ARCHITECTURAL  
LIGHTING

**MARKCOVE**  
Linear Cove  
Dynamic Color

**DRAWING DETAILS (CONTINUED)**

**M500FMC - Fixed Mount**

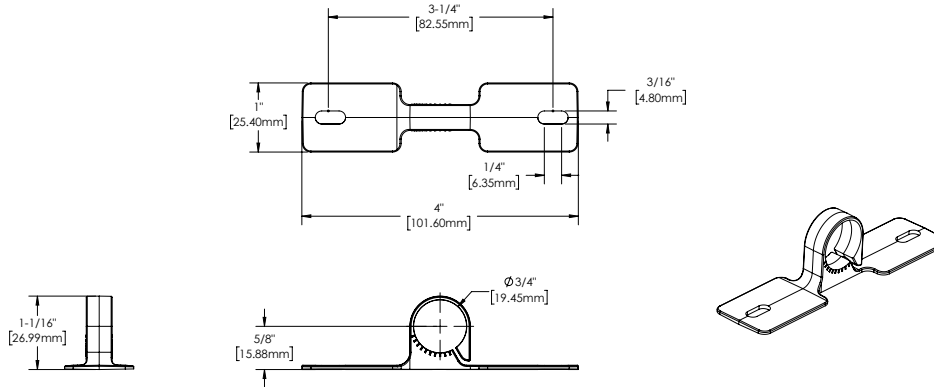


**MARK** ARCHITECTURAL  
LIGHTING

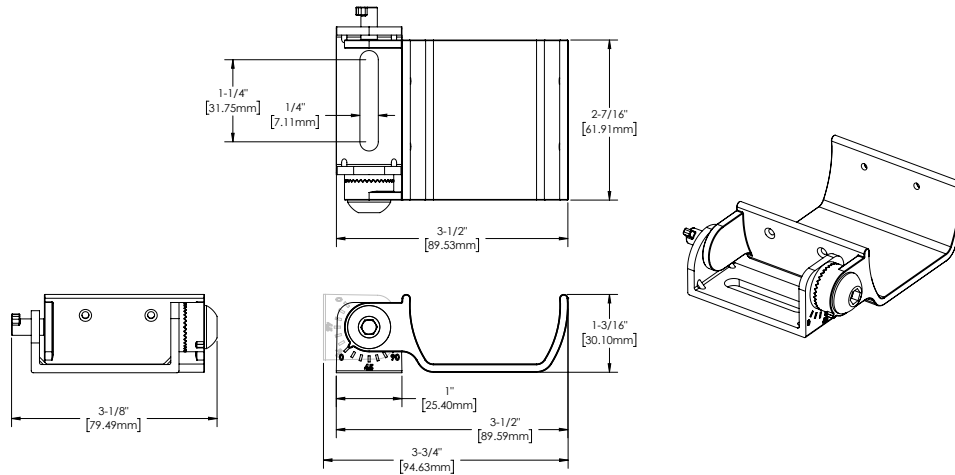
**MARKCOVE**  
Linear Cove  
Dynamic Color

**DRAWING DETAILS (CONTINUED)**

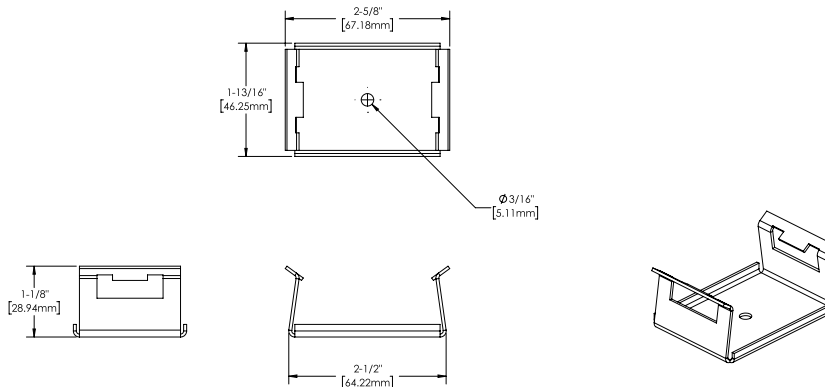
**M500ADJC1 - Adjustable Mount Center Axis Detail**



**M500ADJH2 - Adjustable Mount Side Hinge Detail**



**M500FMC - Fixed Mount Detail**

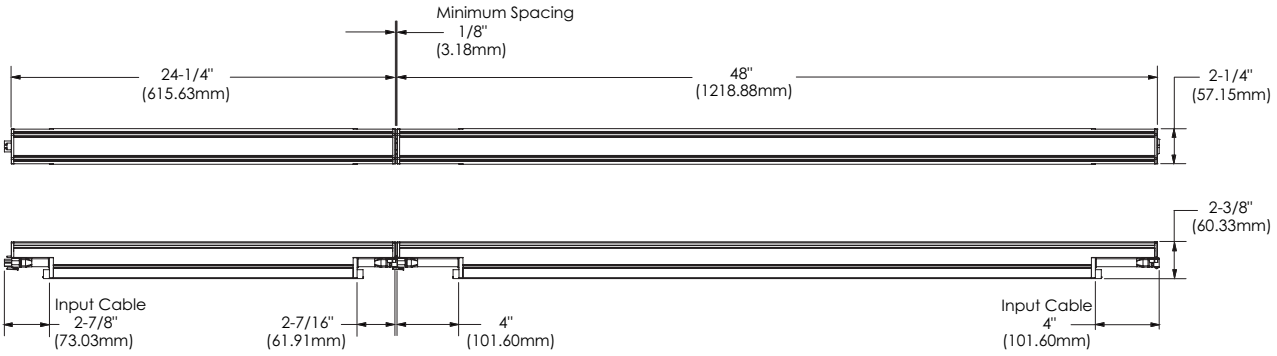


**MARK** ARCHITECTURAL LIGHTING

**MARKCOVE**  
Linear Cove  
Dynamic Color

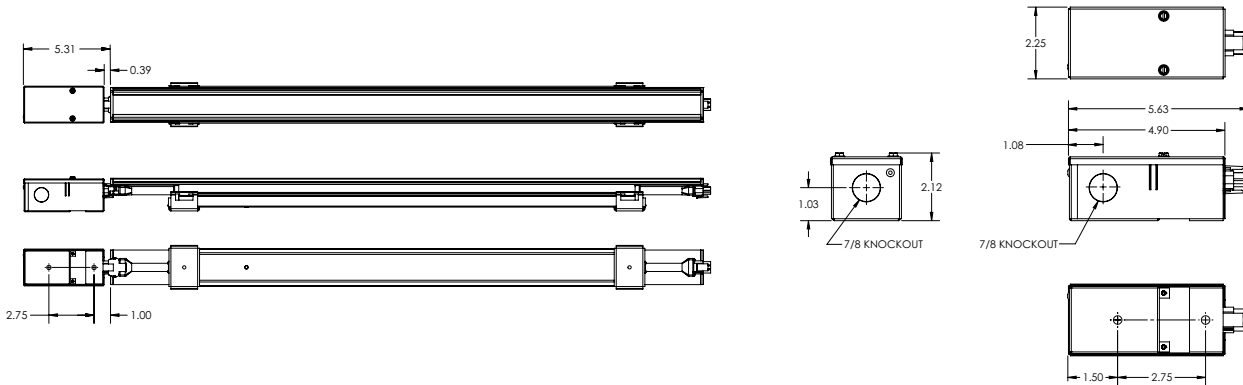
**DRAWING DETAILS (CONTINUED)**

**MCV502 Series Typical End-To-End Run Configuration**

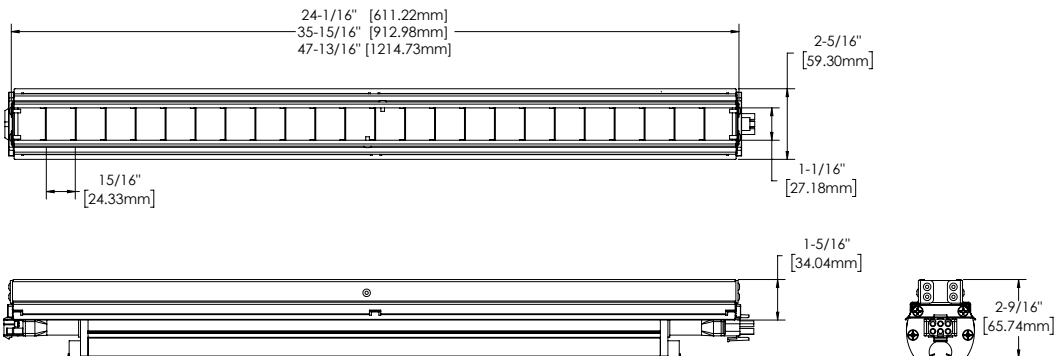


**ADDITIONAL ACCESSORY DETAILS**

**M500WBX Details**  
(Same dimensions apply for Left or Right Feed)



**Baffle Linear Cove**

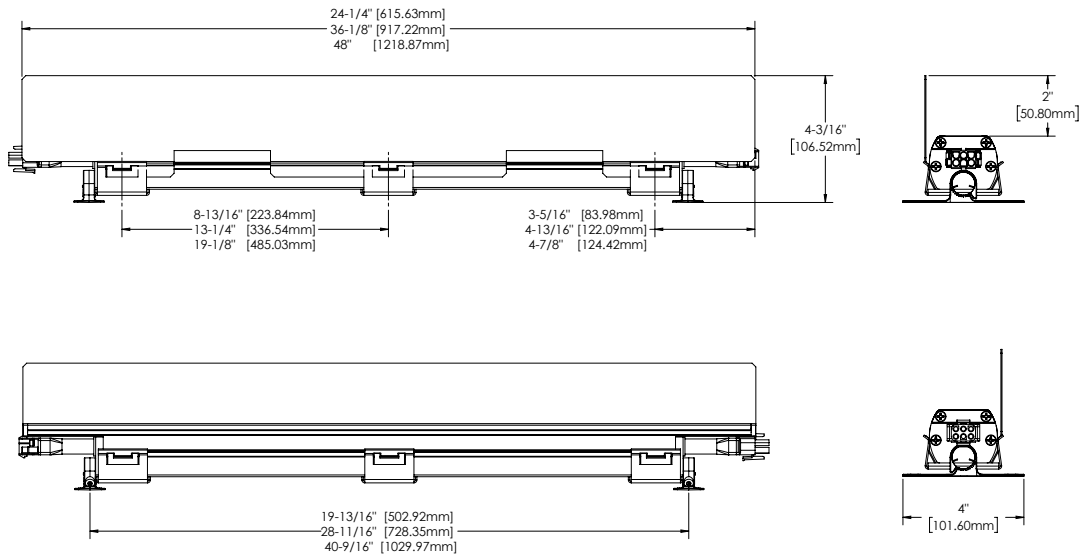


**MARK** ARCHITECTURAL  
LIGHTING

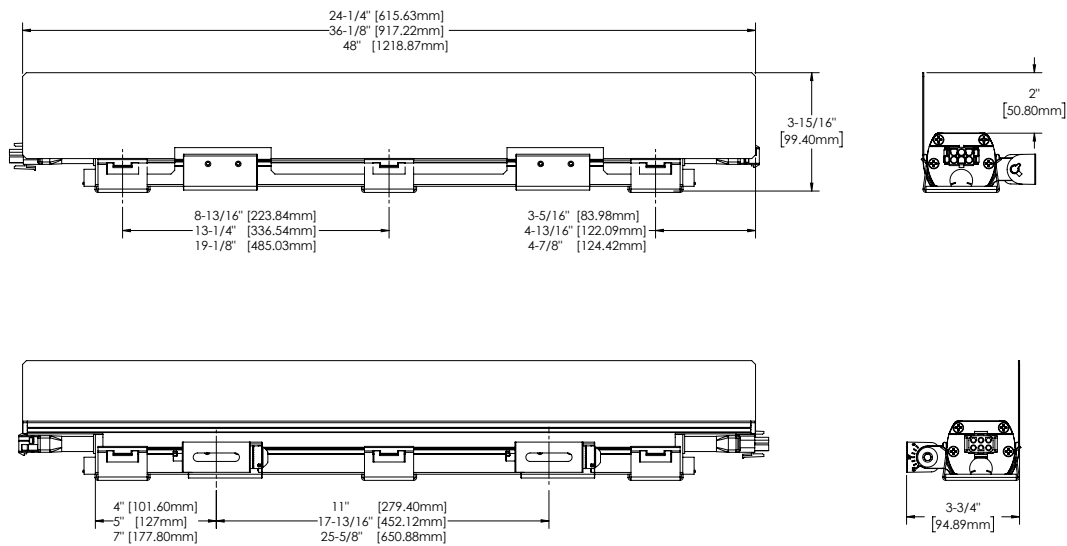
**MARKCOVE**  
Linear Cove  
Dynamic Color

**ADDITIONAL ACCESSORY DETAILS (CONTINUED)**

**Glare Visor with M500ADJC1 Mount**

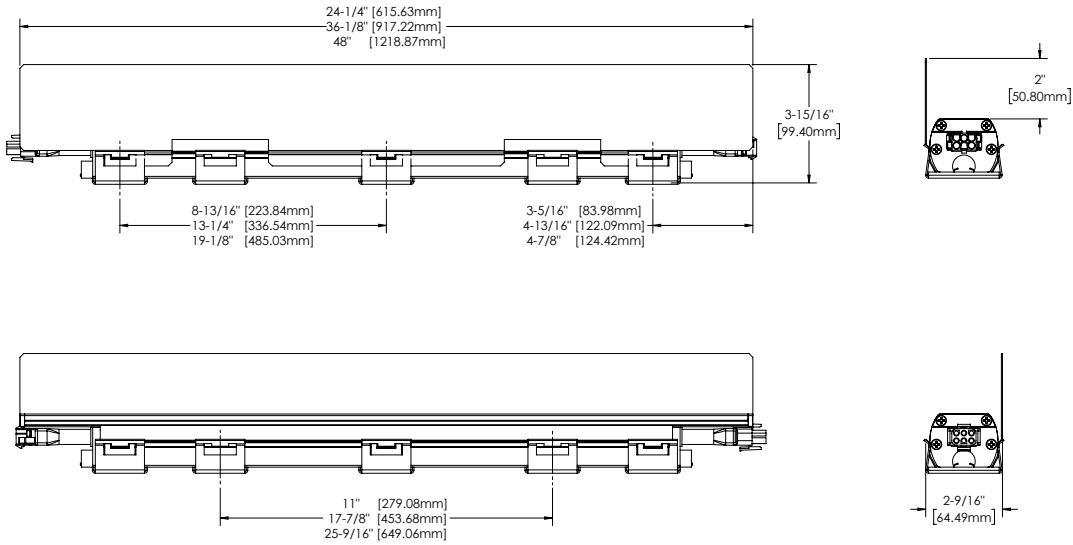


**Glare Visor with M500ADJH2 Mount**

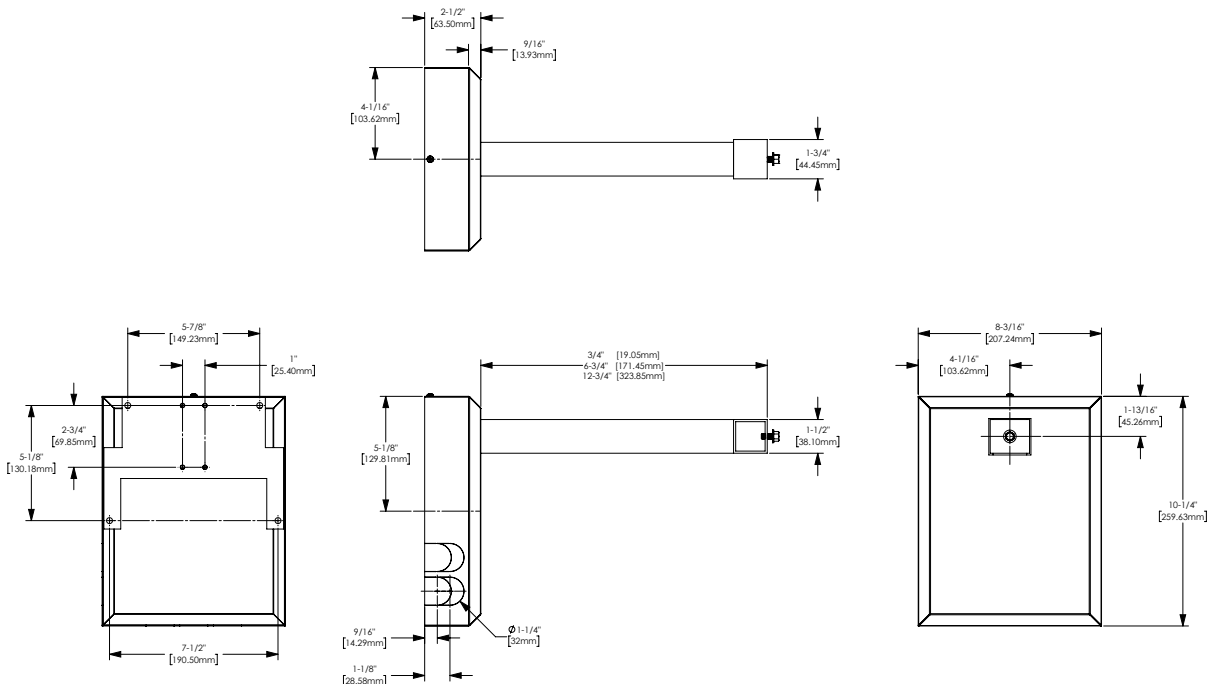


**ADDITIONAL ACCESSORY DETAILS (CONTINUED)**

**Glare Visor with M500FMC Mount**



**Cantilever Bracket Large Detail**

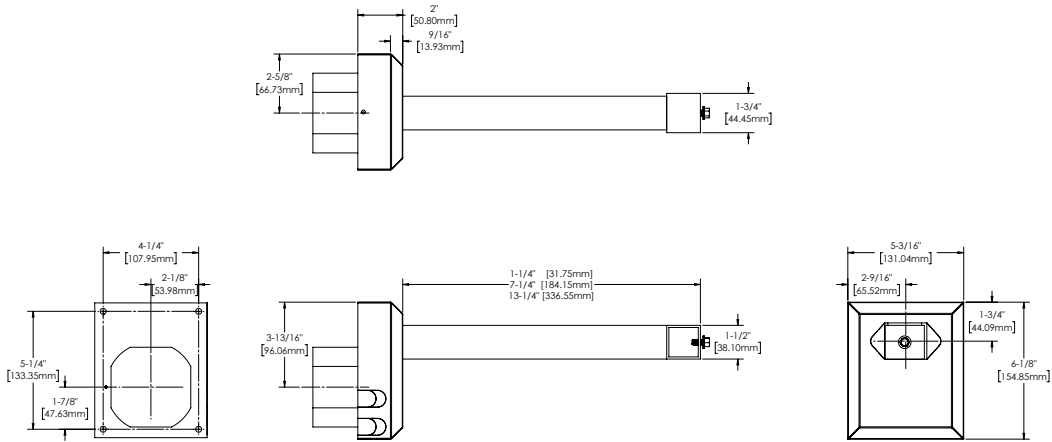


**MARK** ARCHITECTURAL  
LIGHTING

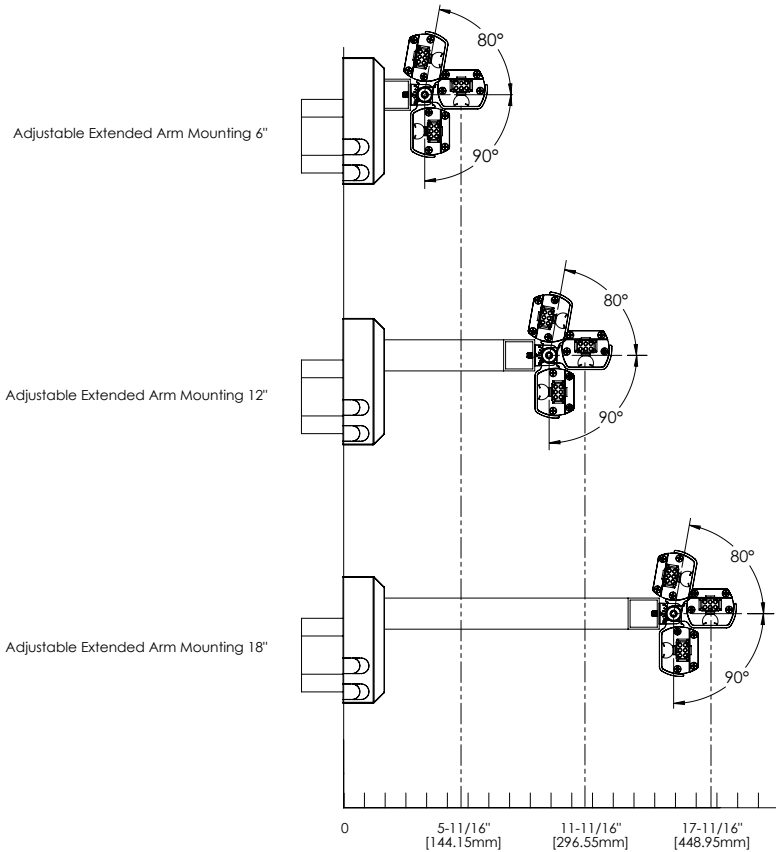
**MARKCOVE**  
Linear Cove  
Dynamic Color

**ADDITIONAL ACCESSORY DETAILS (CONTINUED)**

**Cantilever Bracket Detail**



**Cantilever Bracket Detail with M500ADJH2 and Fixture**



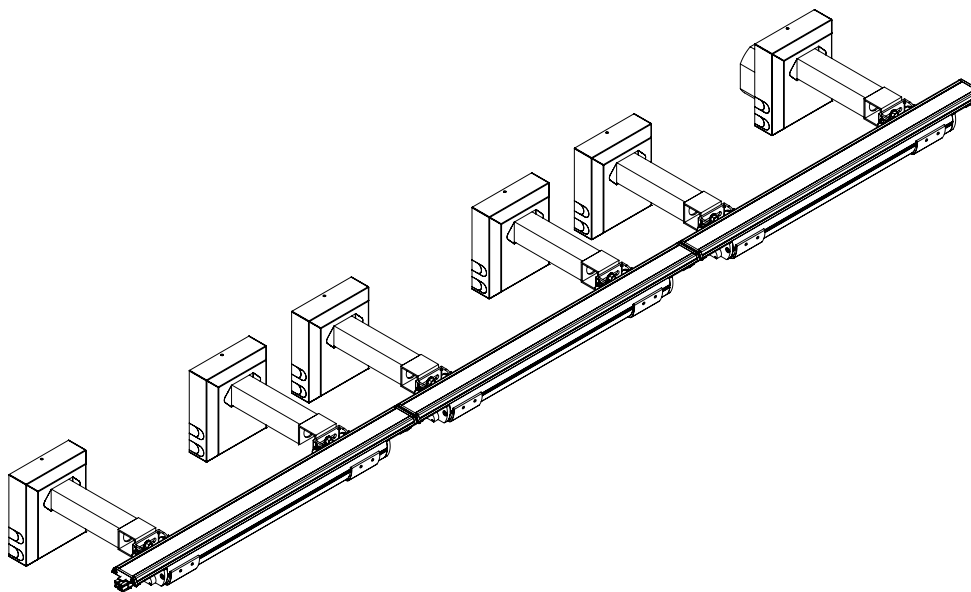
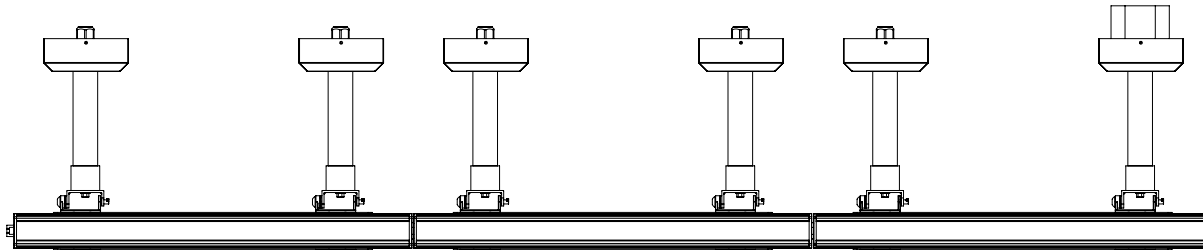


**MARK** ARCHITECTURAL  
LIGHTING

**MARKCOVE**  
Linear Cove  
Dynamic Color

**ADDITIONAL ACCESSORY DETAILS (CONTINUED)**

**MCV502 Series Typical End-To-End Run Configuration with Cantilever Brackets  
(Showing 6-foot run of (3) 2-foot units with MCBT12 bracket accessory)**



**MARK** ARCHITECTURAL LIGHTING

**MARKCOVE**  
Linear Cove  
Dynamic Color

**SPECIFICATIONS**

**Voltage:** 120 through 277v/60Hz

**Distribution:** 120° x 120°

**Size:** 2.25W x 1.75H

**Housing:** Extruded aluminum snap together construction

**Finish:** Polyester powder coat painted finish. Black oxide fastener color with BKT finish and natural stainless steel fastener color with WTP & SIT finishes

**Lens Material:** Extruded acrylic with frosted surface

**Lumen Maintenance:** 120,000 hours L70 @ +55deg C

**LED Color Mix:** 12 LEDs per 12 inches in a 1:1 ratio (1xRed, 1xGreen, 1xBlue, 1xWhite)

**Osram Color Wavelengths:** RED (620-634nm), GREEN (525-537nm), BLUE (464-470nm), WHITE (4000K)

**Control System:** Easyl or Fresco DMX512 controller

**Ambient Temperature Ranges:** -40° to +45°C

**Mounting:** Suitable for mounting within the space between ground and 4FT (1.2M) of the ground. Suitable for damp location applications.

**Certification/Compliance:** CSA Certified to meet U.S. and Canadian standards conforming to UL 1598 and CAN/CSA C22.2 No. 250.0

**Weight:** 24" - 3.0 lbs (1.36 kg) / 36" - 3.5 lbs (1.59 kg) / 48" - 4.5 lbs (2.04 kg)

**Buy American:** This product is assembled in the USA and meets the Buy America(n) government procurement requirements under FARS, DFARS and DOT. Please refer to [www.acuitybrands.com/resources/buy-american](http://www.acuitybrands.com/resources/buy-american) for additional information.

**Warranty:** 5-year limited warranty. Complete warranty terms located at: [www.acuitybrands.com/support/customer-support/terms-and-conditions](http://www.acuitybrands.com/support/customer-support/terms-and-conditions)

**Note:** Actual performance may differ as a result of end-user environment and application.

All values are design or typical values, measured under laboratory conditions at 25°C.

Specifications subject to change without notice.

**Assembled in America:** Buy American Act Compliant