



8200 SERIES

108 LED; Monochromatic Yoke Mount

HIGHLIGHTS

- Expected service life of over 100,000 hours
- Corrosion resistant, zinc-infused, durable TGIC thermoset powder coat finish
- Copper free aluminum housing
- IP67 rated
- 3G rated

5
YEAR
warranty



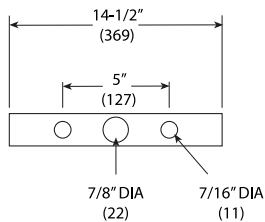
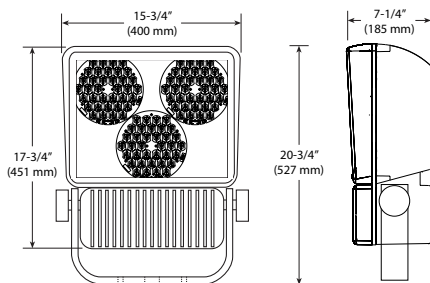
IP67



Specifications

EPA:	2.10 ft ² 0.195 m ²
Length:	15-3/4" 400 mm
Width:	7-1/4" 185 mm
Height:	20-3/4" 527 mm
Height ² :	17-3/4" 451 mm
Weight:	58lbs

DIMENSIONS



YOKE FOOT PRINT

ORDERING INFORMATION

EXAMPLE: 8200 108LED RED MVOLT NSP YM SMSA18 BL

Series	Lamp type	Color	Voltage	Distribution	Mounting	Mounting Accessories			
8200	108LED 259 Watt	AMBPC	PC Converted Amber	MVOLT (120-277 volt)	NSP	Narrow Spot	YM Yoke Mount	EWM_	Ext. Wall Mt Available 18"- 36" in 6" increments
		BLU	Blue		MFL	Medium Flood		PAR_/_/_	Pole Arm Round 4", 5", or 6" Pole 12", 18", or 24" length (i.e. PAR5/18)
		GRN	Green	347L	FL	Flood		PAS_/_/_	Pole Arm Square 4", 5", or 6" Pole 12", 18", or 24" length (i.e. PAS4/24)
		RED	Red	480L	WFL	Wide Flood		PATR_/_/_ ²	Pole Arm Twin Round 4", 5", or 6" Pole 12", 18", or 24" length (i.e. PATR6/12)
					VWFL	Very Wide Flood (no optics)		PATS_/_/_ ²	Pole Arm Twin Square 4", 5", or 6" Pole 12", 18", or 24" length (i.e. PATS6/12)
					HSP	Horizontal Spot			
					HFL	Horizontal Flood			

Mounting Accessories (Cont'd)	Accessories	Finish	Listing
PMSA_ Pole Mt Splice Access	External²	BL Black	TVG Terra Verde Green
PMT ² Pole Mount Tee	BD Barn Doors	BZ Bronze	WH White
PSSA Ped. Stanchion Splice Access	FGS Full Glare Shield	DDB Dark Bronze	CF Custom
SMSA_ Stan. Mt Splice Access available 12"-48" in 6" increments	HGS Half Glare Shield	DNA Natural Aluminum	_Z ³ Zinc Undercoat (i.e. BLZ)
SMT12/36 ¹ Stanchion Mount Tee, 12" height, 36" arm length	WRG Wire Rock Guard	GN Green	RALTBD RAL Paint Finishes
SMT18/36 ¹ Stanchion Mount Tee, 18" height, 36" arm length	Safety	GR Gray	<i>Note:</i> RALTBD for pricing only, replace with applicable RAL call out when ready to order. See the RALBROUchure for available options. It is recommended only use textures paint for Hydrel fixtures.
SMT24/36 ¹ Stanchion Mount Tee, 24" height, 36" arm length	LASC Safety Cable	SND Sand	
	Options	STG Steel Gray	
	PE Photo Eye		
	PEPN Part Night Photo Eye		

ELECTRICAL LOAD

Light Engines	Drive Current (mA)	System Watts	Current (A)					
			120	208	240	277	347	480
108LED	700mA	250.5W	2.09	1.20	1.04	0.90	0.72	0.25

PROJECTED LED LUMEN MAINTENANCE

Data references the extrapolated performance projections for the **Fixture** platform in a **25°C ambient**, based on 10,000 hours of LED testing (tested per IESNA LM-80-08 and projected per IESNA TM-21-11).

To calculate LLF, use the lumen maintenance factor that corresponds to the desired number of operating hours below. For other lumen maintenance values, contact factory.

Operating Hours	0	25,000	50,000	100,000
Lumen Maintenance Factor	1.0	0.9	0.8	0.65

Notes:

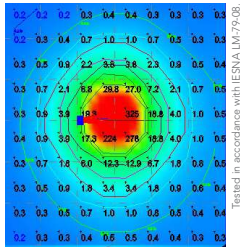
- Requires (2) two fixtures per mounting.
- Each option is mutually exclusive, choose one only.
- Add Zinc undercoat for harsh environments.
- Natatorium rated Hydrel luminaires are built to withstand the elevated temperatures, high humidity and corrosive environments typically associated with natatoriums. Luminaires ordered with the "NT" nomenclature will have a zinc primer undercoat, zinc-infused super durable top coat, stainless steel hardware and IP67 ingress protection.

LUMEN AMBIENT TEMPERATURE (LAT) MULTIPLIERS

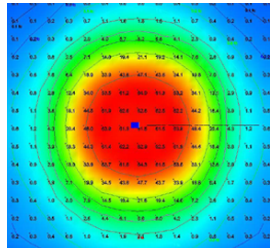
Use these factors to determine relative lumen output for average ambient temperatures from 0-40°C (32-104°F).

Ambient		Lumen Multiplier
0°C	32°F	1.02
10°C	50°F	1.01
20°C	68°F	1.00
25°C	77°F	1.00
30°C	86°F	1.00
40°C	104°F	0.99

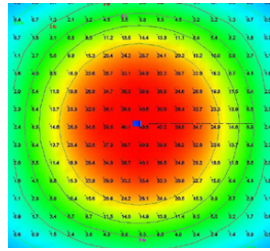
PERFORMANCE DATA



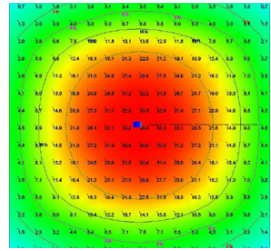
NSP 2x2



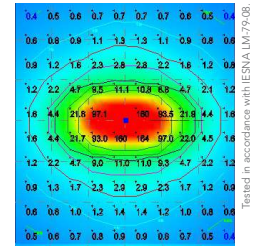
MFL 4x4



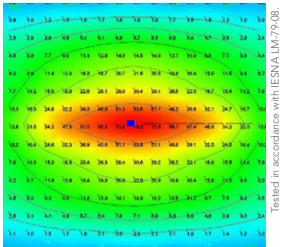
FL 5x5



WFL 6x6



HSP 4x2



HFL 6x4

To see complete photometric reports or download .ies files for this product, visit www.hydrrel.com

LUMEN OUTPUT

Lumen values are from photometric tests performed in accordance with IESNA LM-79-08. Data is considered to be representative of the configurations shown, within the tolerances allowed by Lighting Facts. Actual performance may differ as a result of end-user environment and application. Contact factory for performance data on any configurations not shown here. IES files are run using white, 4100K chips, lumen output will vary based on the colors chosen.

Run using white - lumen output will vary based on the color chosen.

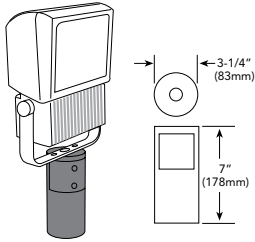
Light Engines	Drive Current (mA)	Dist. Type	Nema Type	Field Angle (10%)		Beam Angle (50%)		WHT 41K			
				°H	°V	°H	°V	Watts	LPW	Delivered Lumens	CRI
3	700mA	NSP	2x2	23.4	23.1	11.4	11.5	259.8	53.46	13897	72.3
		NFL	3x3	41.2	41.8	19.3	19.2	252.7	49.67	12551	68.9
		HSP	4x2	57.7	27.2	38.5	13.2	252	55.64	14021	68.3
		FL	5x5	80.7	81.1	62.1	65.6	263.5	45.42	11969	70.9
		WFL	6x6	126.8	124.7	101	93.7	259.8	50.3	13070	70.9
		VWFL	7x7	137.3	132.3	95.4	88.3	262.2	44.24	11600	71.3

LED LIFE: L70/86,000 hours

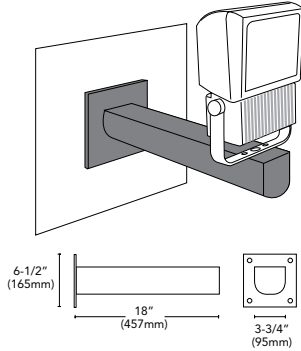
OPERATING TEMPERATURE: -30°C Through 40°C

MOUNTING OPTIONS

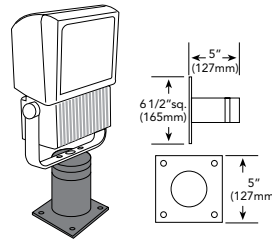
PMSA
7" POLE MOUNT
WITH SPLICE ACCESS
EPA: 0.18



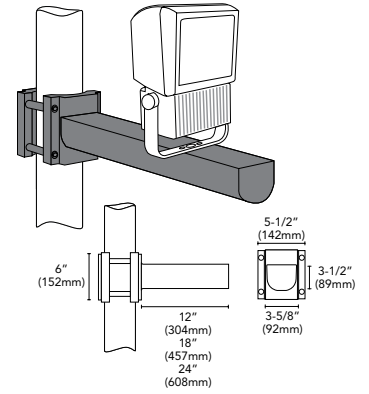
EWM
EXTENDED WALL MOUNT
18" - 36" LENGTHS



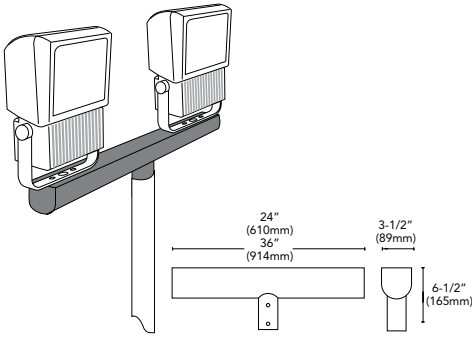
TNM
5" 2 3/8" OD TENON WITH
FLAT MOUNTING PLATE
(Fixture shown with YMTM
slifitter option)



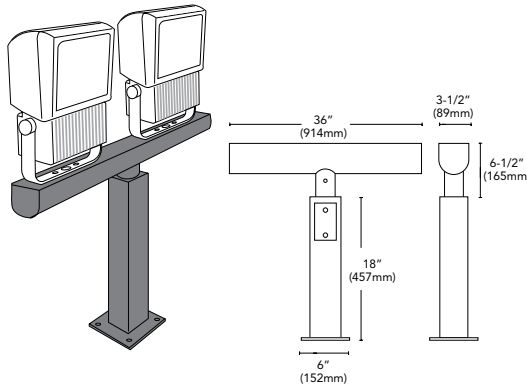
PAR/PAS & PATR/PATS (SINGLE & TWIN ARM)
POLE ARM ROUND/SQUARE
12" - 24" LENGTH AVAILABLE
EPA: 0.52 per 18" arm



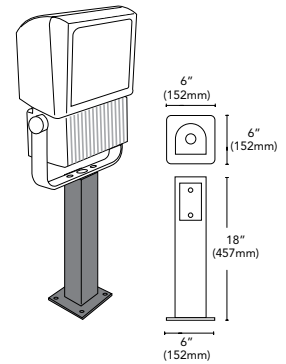
PMT
POLE MOUNT TEE
EPA: 1.05



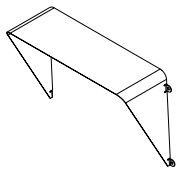
SMT
STANCHION MOUNT TEE
12", 18" or 24" HEIGHTS AVAILABLE



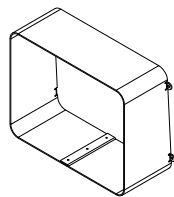
SMSA/PSSA
SMSA STANCHION AVAILABLE IN 12" - 48"
HEIGHTS (example: SMSA18, SMSA24)
PSSA Pedestal Stanchion - 7" HEIGHT



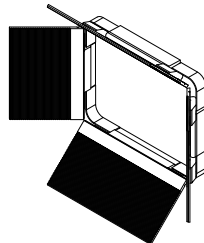
EXTERNAL ACCESSORIES



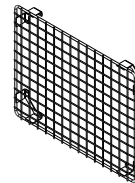
HGS - Half Glare Shield



FGS - Full Glare Shield



BD - Barn Doors



MRG - Wire Rock Guard

SPECIFICATIONS AND FEATURES

MATERIAL: Die Cast Copper Free Aluminum (A360) Housing and Doors.

LED: Monochromatic LEDs, 259W Max.

LIGHT DISTRIBUTIONS: NEMA Flood (2x2 through 7x7), Horizontal Spot (4x2)

LENS: Flat tempered glass for maximum resistance to impact.

MOUNTING: Aluminum yoke & stainless steel locking hardware allows fixture head to be easily aimed and fixed in place. Fixtures are provided with 3' of mineral insulated cable with (3) 16 AWG conductors and a 1/2" NPT cable gland for connection to a j-box.

GLARE CONTROL: External Glare Control options include Barn Doors, Full and Half Glare Shields.

POWER SUPPLY: MVOLT (120 - 277), LED power supply, 700mA.

FINISH: Exterior parts are protected by a zinc-infused super durable THIC thermoset powder coat finish that provides superior resistance to corrosion and weathering. A tightly controlled multi-stage process ensures a minimum 3 mils thickness for a finish that can withstand extreme climates without cracking or peeling.

LISTING: CSA, CSA_{US}, IP67

BUY AMERICAN: This product is assembled in the USA and meets the Buy America(n) government procurement requirements under FAR, DFARS and DOT. Please refer to www.acuitybrands.com/resources/buy-american for additional information.

WARRANTY: 5-year limited warranty. Complete warranty terms located at: www.acuitybrands.com/support/warranty/terms-and-conditions

Consult factory for details.

NOTE: Actual performance may differ as a result of end-user environment and application. All values are design or typical values, measured under laboratory conditions at 25 °C. Specifications subject to change without notice.