


Specifications

Weight:	4' 17.5lbs
	2' 12.5lbs

4750LCR RGBW

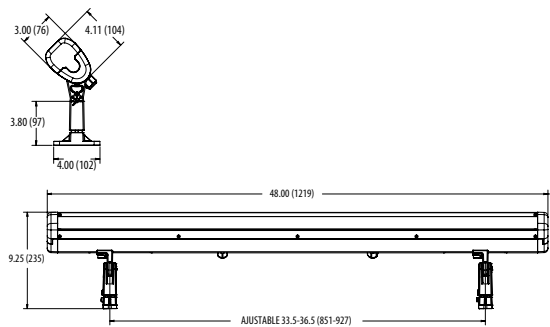
Linear Continuous Run RGBW

HIGHLIGHTS

- The 4750L delivers industry leading durability, performance and lumen output
- Superior water resistance IP67 with Hydrel "Flow-Thru" technology, independently sealed integral driver module and sealed LED module
- Aiming integrity with a fully adjustable and rugged knuckle design using Taper-Lock technology
- Long life in the most demanding environments with low copper content housing materials, stainless steel fasteners, and durable powder coat finish options for Coastal Regions and Natatoriums
- 3G vibration rated per ANSI C136.31

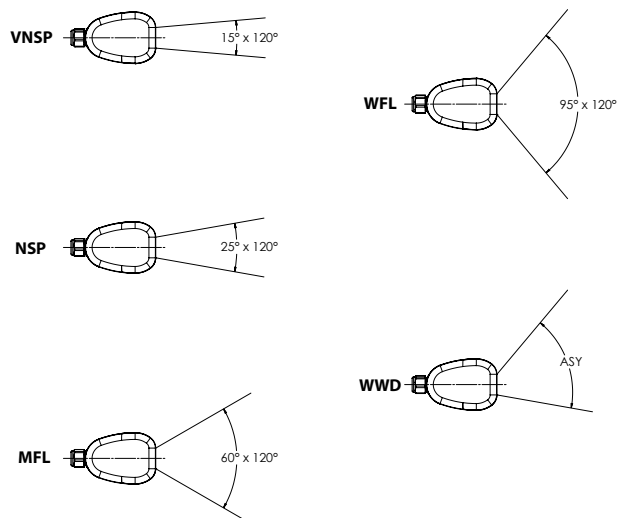
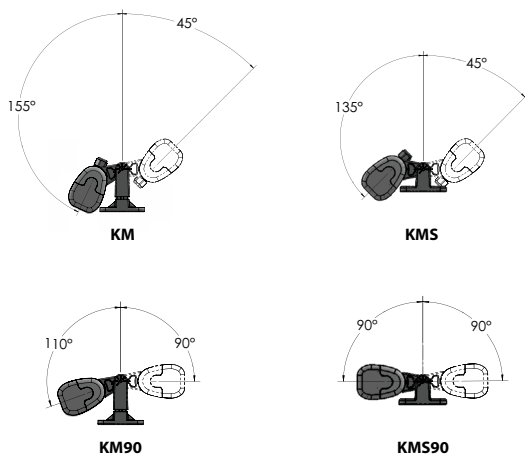
5
YEAR
warranty

IP67

DIMENSIONS

LUMEN PACKAGES

	VNSP	NSP	MFL	WFL	WWD
Delivered Lumens	3577	3592	4170	4230	3922
Watts	56	56	56	56	56
LPW	63	64	74	75	72
Peak Candela	7733	5239	2361	1781	2942

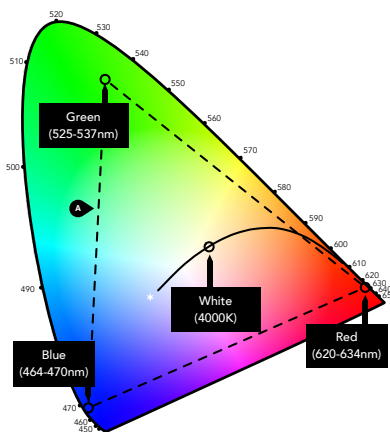
Note: Information based on 100% output on 4FT fixture

STANDARD DISTRIBUTION

AIMING DETAILS


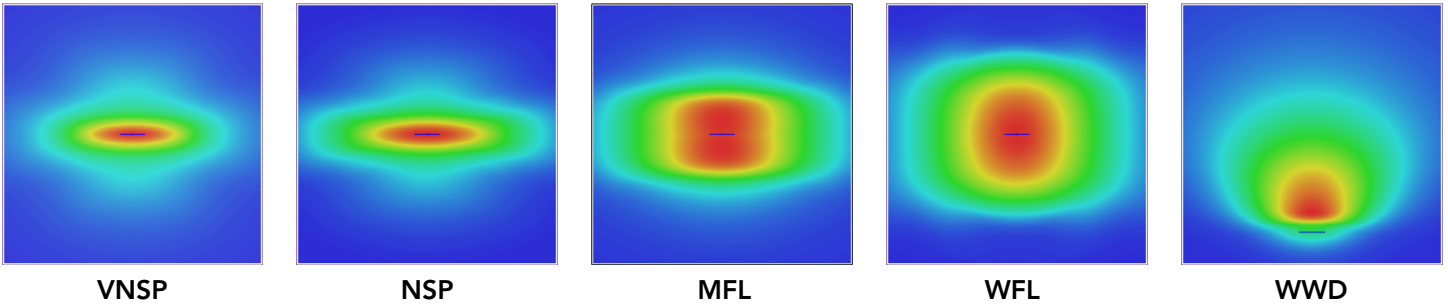
ORDERING INFORMATION
EXAMPLE: 4750LCR LOP 4FT 1000LMF RGBW MVOLT VNSP KM EA6 CSL10 DMX BL

Model*	Linear Plan*	Total Run Length*	LED Output*	LED Dynamic Range*	Voltage*		
4750LCR LED Linear Continuous Run Flood	LOP Linear Optimized Plan	<u> </u> FT Specify Continuous Linear Feet in 4' Increments <i>Note:</i> 128' Max Run Max fixture length available in 4ft	1000LMF 1000 nominal lumens per foot <i>Note:</i> May vary based on distribution.	RGBW Red, Green, Blue, White (40K white 80CRI)	MVOLT 120-277 volt		
Distribution*	Mounting*	Mounting Accessories	Accessories	Cord Length*	Control Input*	Environmental Options	Finish*
VNSP 15 x 120 degrees NSP 25 x 120 degrees MFL 60 x 120 degrees WFL 95 x 120 degrees WWD Wall Wash (Asymmetric)	KM Knuckle Mount 45° KMS Knuckle Mount Short 45° KM90 Knuckle Mount 90° KMS90 Knuckle Mount short 90° <i>Note:</i> KMS and KMS90 not available with mounting accessories	JB4750L Aluminum junction box MS12 12" Steel mounting spike MS18 18" Steel mounting spike PSSA Pedestal Stanchion Splice Access SMSA Stanchion mount splice access. Available 12"-48" in 6" increments <i>Note:</i> Mounting Spike (MS) is used for fixture mounting only. Separate junction box is required for power. Hydrel offers JBA/JBB junction box	EA6 extended arm 6" EA12 extended arm 12" EA18 extended arm 18" FVSR Full Visor HVSR Half Visor <i>Note:</i> Full visor includes top and bottom shield. Half Visor is top only for all distributions except wall wash which is bottom only.	CSL10 10FT of cable CSL25 25FT of cable	DMX DMX DARK	MRE Marine Environment NT Natatorium Construction CR Corrosion Resistant	BL Black Textured BZ Bronze Textured DBLB Designer Black Textured DDBT Designer Bronze Textured DNAT Designer Natural Aluminum Textured GN Green Textured GR Grey Textured SND Sand Textured STG Steel Gray Textured TVG Terra Verde Green Textured WH White Textured DBL Designer Black Smooth DDB Designer Bronze Smooth DNA Natural Aluminum Smooth DWH Designer White Smooth CF Custom Finish RALTB Ral Paint Finishes <i>Note:</i> RALTB for pricing only, replace with applicable RAL call out when ready to order. See the RALBROCHURE for available options. It is recommended only use textured paint. for Hydrel fixtures.

Note: * is a required field


A RGBW Range within triangle formed by RGB

PERFORMANCE DATA



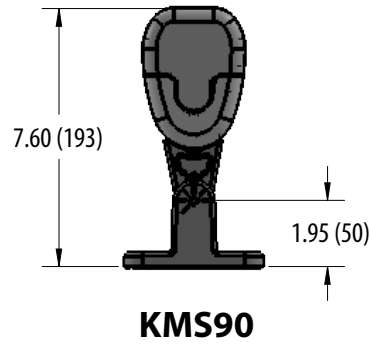
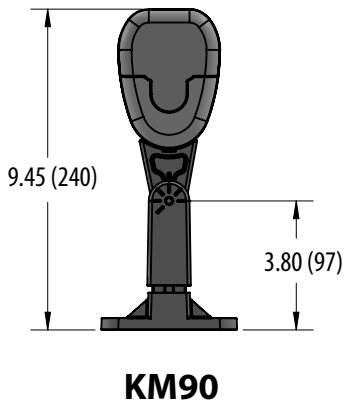
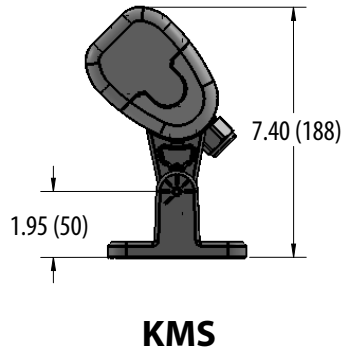
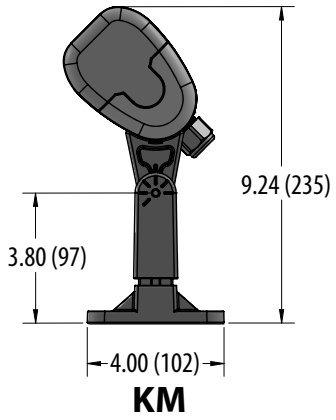
LUMEN OUTPUT 4' FIXTURE

Lumen values are from photometric tests performed in accordance with IESNA LM-79-08. Data is considered to be representative of the configurations shown, within the tolerances allowed by Lighting Facts. Actual performance may differ as a result of end-user environment and application. Contact factory for performance data on any configurations not shown here.

LED Output	Nominal System Watts	Distribution Type	Field Angle		Beam Angle		RGBW		
			°H	°V	°H	°V	Max Cd	Lumens	LPW
1000LMF	56	VNSP	109.6	39.2	63.2	12.1	7733	3576.9	63.47
		NSP	144.0	39.8	98.4	15.7	5239	3591.8	64.01
		MFL	148.4	84.5	106.7	61.3	2361	4170	73.68
		WFL	149.6	109.2	106.8	94.9	1781	4229.7	74.72
		WWD	146.9	78.6	100.7	46.3	2942	3922	72.14

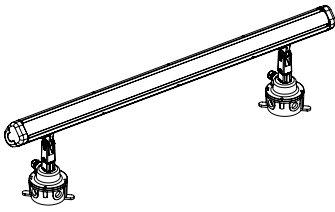
MOUNTING OPTIONS

KNUCKLE MOUNTING

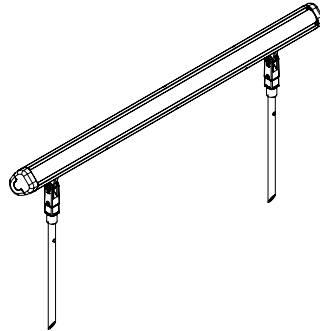


MOUNTING ACCESSORIES

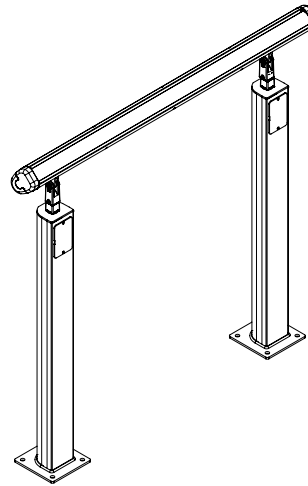
MOUNTING ACCESSORIES - is supplied with 1/2" NPS adaptor. Suitable for ground mounting.



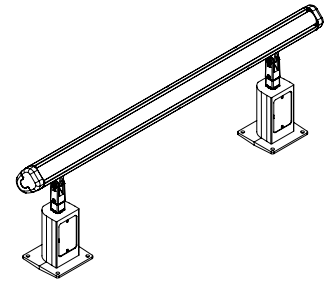
JB4750L Junction Box



MS12 Mounting splice available in 12" and 18"

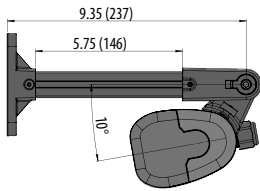


SMSA12 Mounting available in 12"-48" in 6" increments

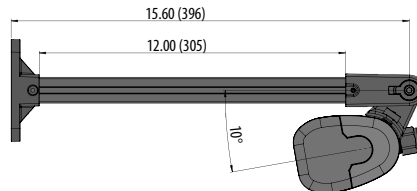


PSSA Mounting

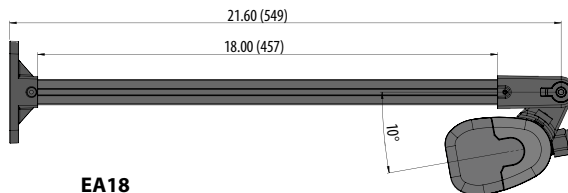
EXTENDED ARM Suitable for wall or surface mount



EA6



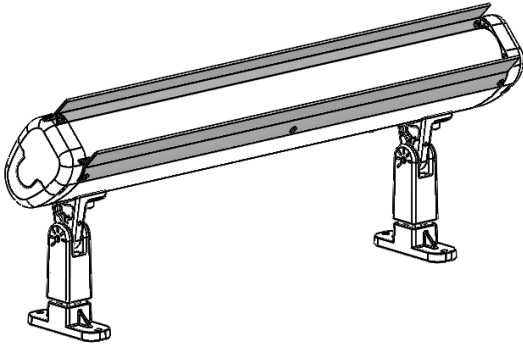
EA12



EA18

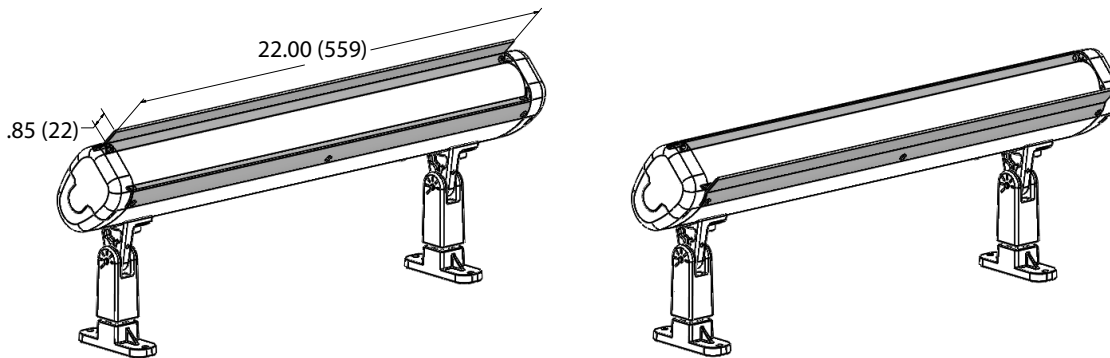
EXTERNAL ACCESSORIES

VISORS



FVSR4750L

FULL VISOR is supplied with top and bottom visor.



HVSR4750L

HALF VISOR are factory installed on top side except for wall wash distribution which is installed on the bottom. Visors: Can be field installed and moved from top to bottom if desired.

ACCESSORY OPTIONS

FRESCO CONTROL SYSTEM

Series	Model	Options	Finish
FCS Fresco Control System	7TSN 7" touchscreen with nLight port	X DMX/RMD control	DBL Black DWH White DNA Natural Aluminum

Refer to [FRESCO](#) spec sheet for additional details and options.



EASYL - LED SHOW CONTROLLER WITH LCD TOUCHSCREEN (INTETRAL POWER SUPPLY)

Series	Voltage	Finish
EZSOLO Easy Solo	MVOLT 120V-277V VAC, 50/60Hz	BK Black
EZTOUCH Easy Touch		Wh White
EZPRO Easy Pro		

Refer to [EASYL](#) spec sheet for additional details and options.



DMX / POWER INTEGRATOR

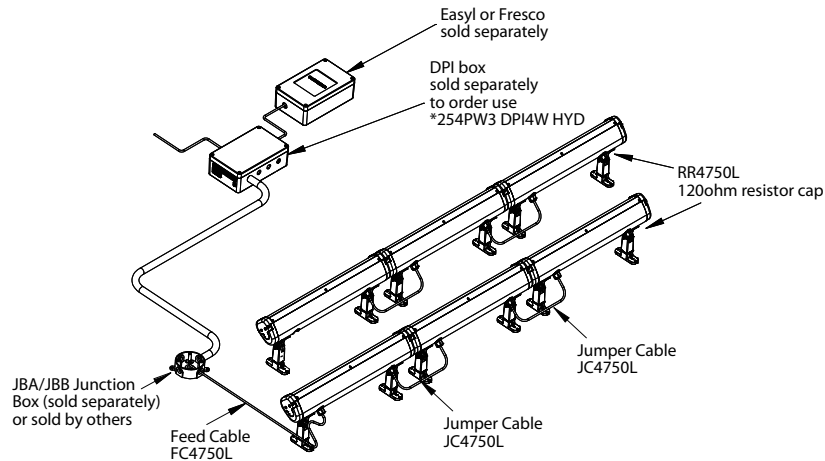
Model
DPI4WHYD DPI4WHYD - DMX/Power Integrator Box

Refer to [DPI4W HYD](#) spec sheet for additional details.



WIRING AND LAYOUT DESIGN

CONTINUOUS RUN LAYOUT



MAX RUN LENGTH

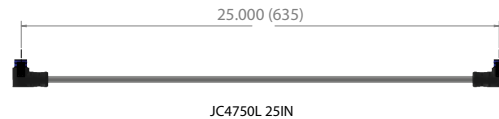
Fix Length	Watt/FT	120V	277V
4FT	17.8	128 ft	128 ft

Note: Fixtures are not physically attached to one another. Fixtures are attached using the jumper cables. Maximum run length based on 32 fixtures and 1000ft cable length per DMX/RDM specifications

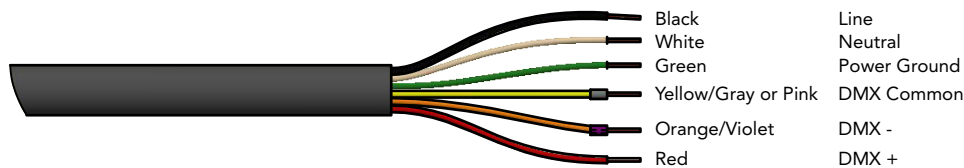
Cable:

FC4750L CSL10	10' Feed Cable
FC4750L CSL25	25' Feed Cable
JC4750L 25IN	25" Jumper Cable for use on 4FT to 4ft fixtures controlled by DMX

Note: Cables provided with fixtures, may be ordered separately as replacements.



Feed Cable Wiring Detail - RGBW Fixture



SPECIFICATIONS AND FEATURES

MATERIAL: Copper free die cast aluminum and corrosion resistant extruded aluminum. All stainless steel fasteners.

LIGHT SOURCE: RGBW Red, Green, Blue, White 1000LMF.

VOLTAGE: MVOLT 120-277 (4ft only.)

DISTRIBUTION: VN5P (10x), NSP (20x), MFL (55x), WFL (100x), WWD (wall wash Asymmetric).

LENS: High clarity acrylic, superior UV resistant.

MOUNTING: KM (kuckle mount 45°), KMS (Knuckle Mount Short 45°), KM90 (Knuckle mount 90°), KMS90 (Knuckle mount short 90°).

FINISH: Exterior parts are protected by a zinc-infused super durable TGIC thermoset powder coat finish that provides superior resistance to corrosion and weathering. A tightly controlled multi-stage process ensures a minimum 3 mils thickness for a finish that can withstand extreme climates without cracking or peeling.

CORD DETAILS: MVOLT - 18-6 SJTOW 10ft. length. 347 - 16-5 STW 10ft. length.

LISTING: cCSAus. MRE (Marine Environment) is listed to UL1598a. IP67 rated.

ENVIRONMENT: Suitable for outdoor wet location applications. Suitable for inoor, non-IC rated applications, maximum 45° C and minimum -20° C ambient operating temperatures.

BUY AMERICAN: This product is assembled in the USA and meets the Buy America(n) government procurement requirements under FAR, DFARS and DOT. Please refer to www.acuitybrands.com/resources/buy-american for additional information.

WARRANTY: 5-year limited warranty. Complete warranty terms located at: www.acuitybrands.com/support/warranty/terms-and-conditions

Consult factory for details.

NOTE: Actual performance may differ as a result of end-user environment and application. All values are design or typical values, measured under laboratory conditions at 25 °C. Specifications subject to change without notice.