



4426 SERIES

Base Mount 60W, 96W

White LED Fountain

HIGHLIGHTS

- Up to 10,985 lumens
- Cast bronze construction including fixture housing, rock guard and base
- Integral yoke allows for fixture aiming
- CCTs: 27K, 30K, 41K, 53K, Blue, Green, Red & Phosphor converted Amber
- IDIM- In-Line dimming available

5
YEAR
warranty



IP68

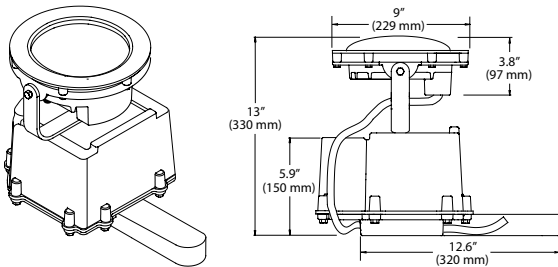


Buy American

Specifications

Length:	15-1/2"
	394 mm
Width:	7"
	178 mm
Height:	5-7/8"
	149 mm
Weight:	30lbs

DIMENSIONS

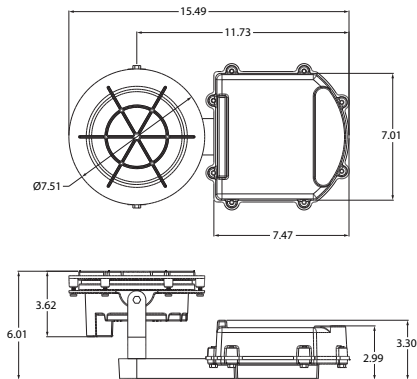


VBM - VERTICAL BASE MOUNT

LUMEN PACKAGES

	NSP	MFL	FL	WFL	VWFL	HSP	HFL
Watts	86	86	86	86	86	86	86
Delivered Lumens	9265	10,750	7980	8715	7730	9345	10,985
LPW	97	112	83	91	81	97	114
Peak Candela	147,374	34,717	6,896	4,168	3,893	48,428	48,425

Note: Information based on 36LED WHT41K



BM - BASE MOUNT

Note: (2) 0.28 mounting holes on the bottom casting for fixture securement using 1/4-20 bolts (by others)

ORDERING INFORMATION

EXAMPLE: 4426 B 18LED WHT53K 120 NSP FLC BM CSL50

Model	Material	Lamp type	LED Color	Voltage	Distribution				
4426	B Bronze	18LED 44 Watts	WHT27K 2700K white	120	NSP Narrow Spot				
	SWB Saltwater Bronze	36LED 86 Watts	WHT30K 3000K WHT41K 4100K WHT53K 5300K AMBPC Phosphor Converted Amber BLU Blue GRN Green RED Red		MFL Medium Flood FL Flood WFL Wide Flood VWFL Very Wide Flood (no optics) HSP Horizontal Spot HFL Horizontal Flood				
Lens		Mounting		Options		Cord Set Length		Listing	
FLC Flat Lens Clear	BM Base Mount VBM Vertical Base Mount	IDIM¹ In-line Dimming (dims to 40%)	CSL__ 10'-120' of cord available in 5' increments	CSA Optional Canadian listing (for sale in Canada only)					

ELECTRICAL LOAD

Light Engines	Drive Current (mA)	System Watts	Current (A)
			120
18LED	700mA	44W	0.40
36LED	700mA	86W	0.72

LUMEN AMBIENT TEMPERATURE (LAT) MULTIPLIERS

Use these factors to determine relative lumen output for average ambient temperatures from 0-40°C (32-104°F).

Ambient		Lumen Multiplier
0°C	32°F	1.02
10°C	50°F	1.01
20°C	68°F	1.00
25°C	77°F	1.00
30°C	86°F	0.99
40°C	104°F	0.98

PROJECTED LED LUMEN MAINTENANCE

Data references the extrapolated performance projections for the Fixture platform in a 25°C ambient, based on 10,000 hours of LED testing (tested per IESNA LM-80-08 and projected per IESNA TM-21-11).

To calculate LLF, use the lumen maintenance factor that corresponds to the desired number of operating hours below. For other lumen maintenance values, contact factory.

Operating Hours	0	25,000	50,000	100,000
Lumen Maintenance Factor	18LED			
	1.00	0.99	0.98	0.96
Lumen Maintenance Factor	36LED			
	1.00	0.90	0.80	0.65

Notes:

- ¹ IDIM for use with leading edge (TRIAC) or trailing edge (ELV) dimmers. IDIM option should be run at 120 volt.

PERFORMANCE DATA

LUMEN OUTPUT

Lumen values are from photometric tests performed in accordance with IESNA LM-79-08. Data is considered to be representative of the configurations shown, within the tolerances allowed by Lighting Facts. Actual performance may differ as a result of end-user environment and application. Contact factory for performance data on any configurations not shown here.

Performance Package	System Watts	Distribution Type	Field Angle		Beam Angle (50%)		WHT30K (3000 CCT, 70CRI)			WHT41K (4100 CCT, 70CRI)			WHT53K (5300 CCT, 70CRI)		
			°H	°V	°H	°V	Max Cd	Lumens	LPW	Max Cd	Lumens	LPW	Max Cd	Lumens	LPW
18LED	44W	NSP	23	23	11	11	44210	2780	63	73687	4630	105	73687	4630	105
		MFL	44	44	24	24	10416	3235	74	17358	5390	123	17358	5390	123
		FL	80	81	62	66	2068	2395	54	3448	3990	91	3448	3990	91
		WFL	126	125	101	94	1250	2615	59	2084	4360	99	2084	4360	99
		VWFL	137	132	95	88	1168	2320	53	1947	3865	88	1947	3865	88
		HSP	58	27	38	13	14529	2805	64	24214	4675	106	24214	4675	106
		HFL	62	31	41	16	14528	3295	75	24212	5495	125	24212	5495	125
36LED	86W	NSP	23	23	11	11	88425	5560	65	147374	9265	108	147374	9265	108
		MFL	44	44	24	24	20830	6470	75	34717	10780	125	34717	10780	125
		FL	80	81	62	66	4137	4790	56	6896	7980	93	6896	7980	93
		WFL	126	125	101	94	2501	5230	61	4168	8715	101	4168	8715	101
		VWFL	137	132	95	88	2336	4640	54	3893	7730	90	3893	7730	90
		HSP	58	27	38	13	29054	5610	65	48428	9345	109	48428	9345	109
		HFL	62	31	41	16	29055	6590	77	48425	10985	128	48425	10985	128

SPECIFICATIONS AND FEATURES

FIXTURE HOUSING, ROCK GUARD AND BASE: Heavy wall cast bronze construction. Natural bronze finish. Note: (2) 0.28 mounting holes on the bottom casting for fixture securement using 1/4-20 bolts (by others).

LED: 18LED 44-watt or 36LED 86-watt LED array available in 3000K CCT, 4100K CCT or 5300K CCT white or monochromatic amber, red, blue or green (LED board included). All within 3 MacAdam ellipses.

VOLTAGE: 120 Volt AC 50/60Hz.

LENS: Clear Flat Tempered Borosilicate.

GASKET: Single piece molded U-shaped silicone gasket.

CORD: Minimum of 10' of #16/3ST submersible rated power cord for standard 120VAC line, 14/3 submersible rated power cord for CSA. Cord entrance is epoxy encapsulated. Cord length must be specified.

FACTORY LEAK TESTED: Fixtures are tested at 10 PSI (0.70kg/cm²) internal pressure while totally submerged in water.

FASTENERS: Stainless Steel.

BUY AMERICAN: Hydrel products are assembled in the USA. Our products meet the Buy America(n) government procurement requirements under FAR, DFARS, and DOT. Please refer to www.acuitybrands.com/buy-america

LISTING: cCSAus, submersible luminaire suitable for fountains, laboratory tests conducted by CSA to UL Standard UL-676 and UL-8750.

US PATENT: 7,680,816

WARRANTY: 5-year limited warranty. Complete warranty terms located at: www.acuitybrands.com/support/warranty/terms-and-conditions

NOTE: Actual performance may differ as a result of end-user environment and application. All values are design or typical values, measured under laboratory conditions at 25 °C. Specifications subject to change without notice.