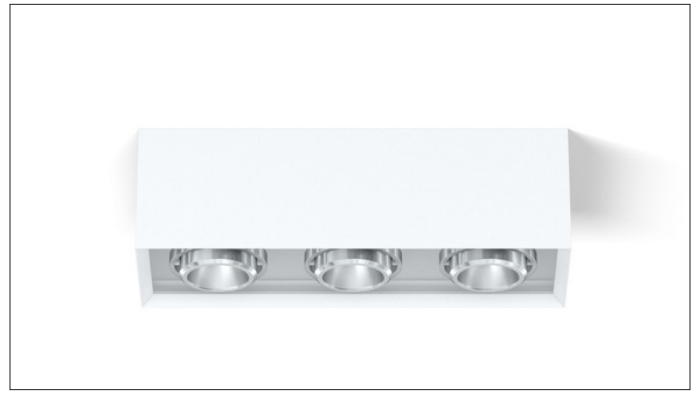


# 3G LIGHTING

## 3G-SM3

3 LIGHT MADISON  
SURFACE MOUNTED

Extruded aluminum housing with fabricated mitered corners  
Housing design features a beveled edge with no visible hardware  
Machined aluminum double gimbals. Adjustable and lockable  
2.75" Regressed LED source for enhanced glare control  
Lumen range up to 5000lm (80+, 90+, and 97+ CRI options)  
Adjustable aircraft cable suspension  
1% dimming standard with integral drivers



### ORDERING INFORMATION

PROJECT:

TYPE:

CATALOG #:

DATE:

CAT. NO	LUMEN OUTPUT	CRI	COLOR TEMP	BEAM ANGLE	VOLTAGE
<b>3G-SM3</b>	<b>10</b> - 1000 LUMENS	<b>S80</b> - 80+ CRI	<b>27K</b> - 2700K	<b>10D</b> - 10° <sup>3</sup>	<b>UNV</b> - 120/277V
	<b>15</b> - 1500 LUMENS	<b>H90</b> - 90+ CRI <sup>2</sup>	<b>30K</b> - 3000K	<b>20D</b> - 20°	<b>120</b> - 120V
	<b>22</b> - 2200 LUMENS	<b>H97</b> - 97+ CRI <sup>2</sup>	<b>35K</b> - 3500K	<b>40D</b> - 40°	<b>347</b> - 347V
	<b>30</b> - 3000 LUMENS		<b>40K</b> - 4000K	<b>60D</b> - 60°	(0-10V ONLY)
	<b>40</b> - 4000 LUMENS			<b>90D</b> - 90°*	
	<b>50</b> - 5000 LUMENS <sup>1</sup>				

\* 90D reflector supplied standard with lens

DRIVER	GIMBAL FINISH	HOUSING	OPTIONS
<b>DIM</b> - 0-10V (STANDARD 100-1%)	<b>NG</b> - NATURAL (STANDARD)	<b>BK</b> - BLACK	<b>CDF</b> - CONDUIT FEED
<b>LE</b> - PHASE DIMMING <sup>4</sup> (TRIAC/ELV, 100-1%)	<b>BG</b> - BLACK	<b>WH</b> - WHITE	<b>2C</b> - 2 CIRCUIT
<b>D01</b> - 0-10V (eIdoLED, 100-0.1%)	<b>WG</b> - WHITE	<b>SV</b> - SILVER	<b>SF70</b> - SOFTENING LENS
<b>DALI</b> - DALI (eIdoLED, 100-1%) <sup>5</sup>		<b>CF</b> - CUSTOM	<b>LS70</b> - LINEAR SPREAD LENS
<b>DHL2</b> - LUTRON HI-LUME LDE1 (1% ECOSYSTEM)			<b>SB70</b> - SANDBLASTED LENS
<b>DMX</b> - DMX (eIdoLED, 100-0%)			<b>HXB70</b> - BLACK HEXCELL LOUVER
		Housing interior & exterior will be powder coated the same color	Maximum 3 optical accessories. See optical accessories page for more options

- <sup>1</sup> 5000lm option not available with phase dimming (LE) or Lutron Hi-Lume (DHL2) option  
<sup>2</sup> 90+ CRI available up to 4000lm. 97+ CRI in 30K and 35K as standard and available up to 3000lm  
<sup>3</sup> 10 degree reflector available up to 2200lm  
<sup>4</sup> Forward Phase/Reverse Phase driver available in 120V only  
<sup>5</sup> DALI-2 (Type 6) provided as standard. Please consult factory for DALI (Type 8) options

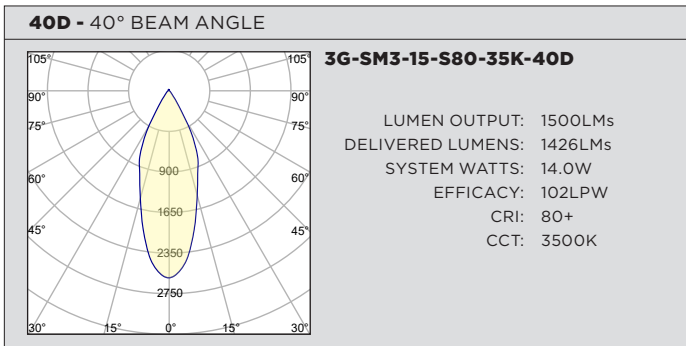
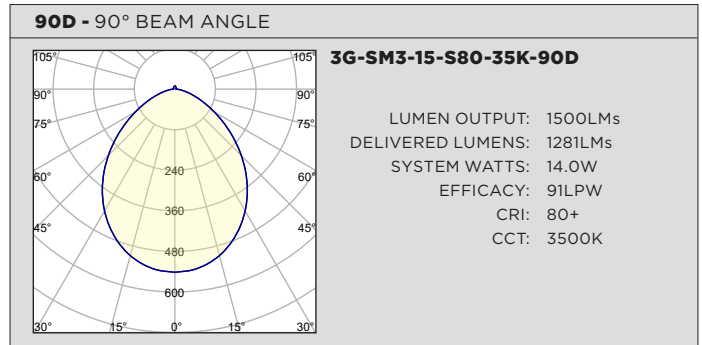
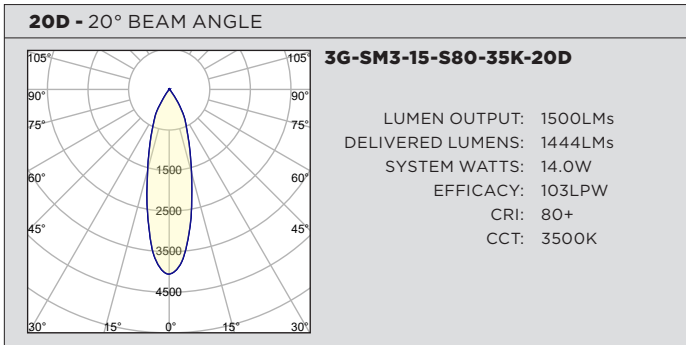
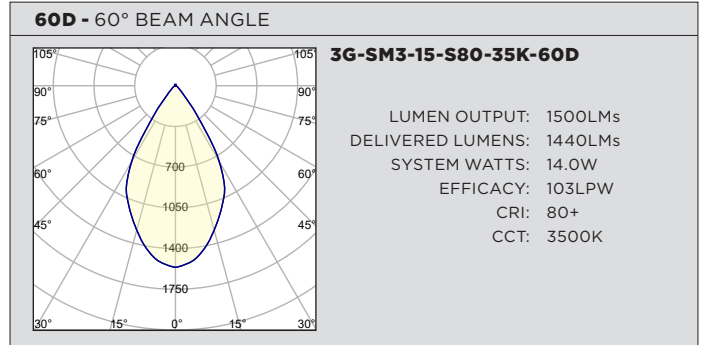
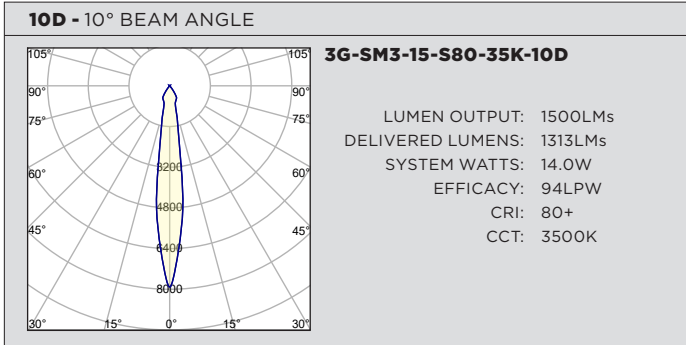
SEPTEMBER 15, 2020

### PERFORMANCE CHART BASED ON 20° BEAM AND 3500K SOURCE (PER FIXTURE HEAD)

LUMEN OUTPUT	80+ CRI			90+ CRI			97+ CRI		
	DELIVERED LUMENS	SYSTEM WATTS	EFFICACY (LPW)	DELIVERED LUMENS	SYSTEM WATTS	EFFICACY (LPW)	DELIVERED LUMENS	SYSTEM WATTS	EFFICACY (LPW)
<b>1000LMs</b>	1080	10.3	105	951	10.3	92	886	10.3	86
<b>1500LMs</b>	1444	14.0	103	1271	14	91	1184	14	85
<b>2200LMs</b>	2089	22.0	95	1838	22	84	1713	22	78
<b>3000LMs</b>	2815	31.3	90	2477	31.3	79	2308	31.3	74
<b>4000LMs</b>	3958	43.0	92	3483	43	81	N/A	N/A	N/A
<b>5000LMs</b>	4207	47.3	89	N/A	N/A	N/A	N/A	N/A	N/A

LUMEN OUTPUT ADJUSTMENT FACTORS	CCT	Multiplier
	2700K	0.945
	3000K	0.985
	3500K	1.00
	4000K	1.01

### PHOTOMETRY (PER FIXTURE HEAD)



**TECHNICAL****HOUSING**

- Extruded aluminum housing with fabricated mitered corners
- Housing design features a beveled edge with no visible hardware
- Integral driver compartment fabricated in cold rolled steel
- Standard polyester powder coated interior and exterior available in matte white, matte black, and matte silver

**ADJUSTABILITY**

- Solid aluminum, 70mm machined double gimbals with dual axis adjustability (45°x45°)
- Each double gimbal can be locked into place

**OPTICS**

- Regressed LED source for enhanced glare control
- Proprietary anodized, aluminum reflectors are field replaceable (10° reflector not interchangeable)
- Available in 10°, 20°, 40°, 60°, and 90°
- Fixture head designed to accept 3 optical accessories

**ELECTRICAL**

- Standard 0-10V, constant current drivers with 100-1% dimming range and >0.9 power factor
- Standard 120/277V universal voltage drivers. Optional 347V, 0-10V drivers
- 120V Forward Phase/Reverse Phase driver option with 100-1% dimming range
- eldoLED 0-10V driver option available with 100-0.01% dimming range
- eldoLED DALI and Lutron EcoSystem driver options available with 100-1% dimming range
- DMX driver option available with 100-0% dimming range
- All drivers are integral and easily accessible through the top of the fixture housing

**LED SYSTEM**

- Citizen LED module (field replaceable)
- Color consistency <2 SDCM
- Standard (80+ CRI). Optional (90+ and 97+ CRI)
- Available in 27K, 30K, 35K, and 40K
- L90 >50,000 hours
- 5 Year Warranty

**MOUNTING**

- Suitable for surface mounted applications
- Suitable for drywall, concrete, wood, grid ceiling, and other architectural ceilings
- Fixture mounts to a standard junction box
- Optional conduit feed available

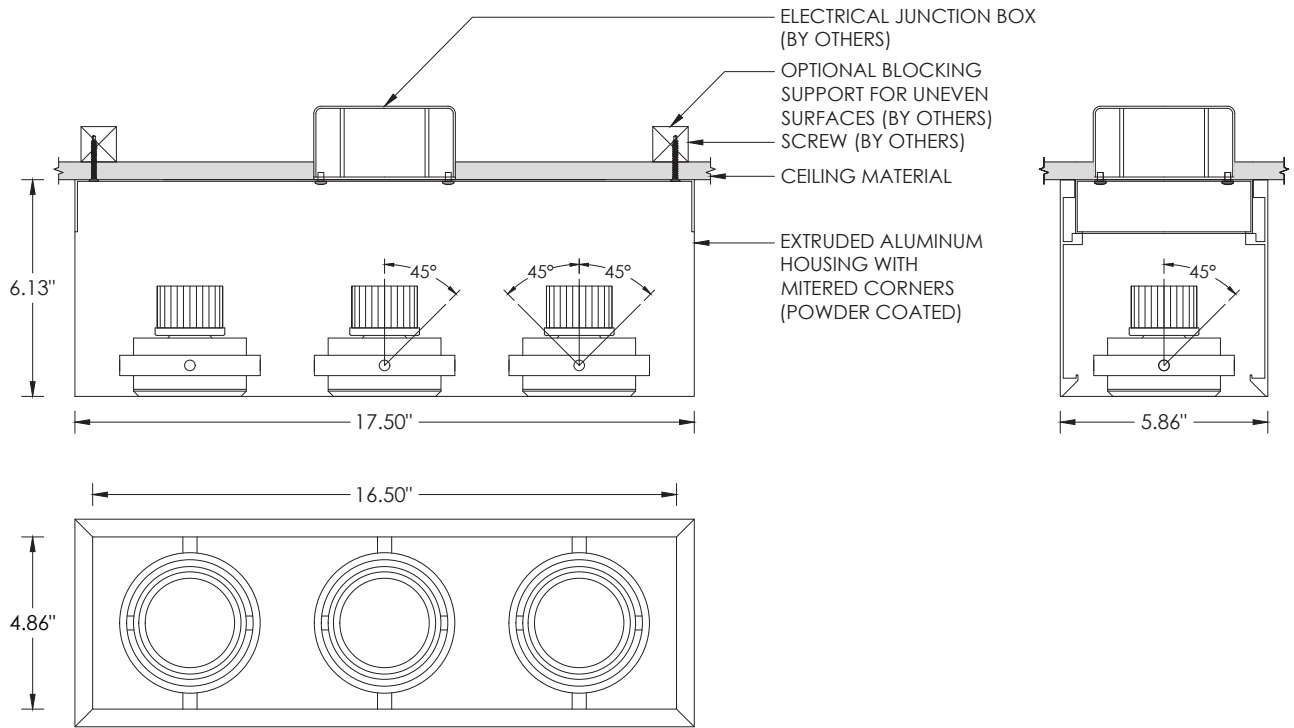
**LISTING**

- ETL listed and tested to cUL standards. Suitable for dry and damp locations

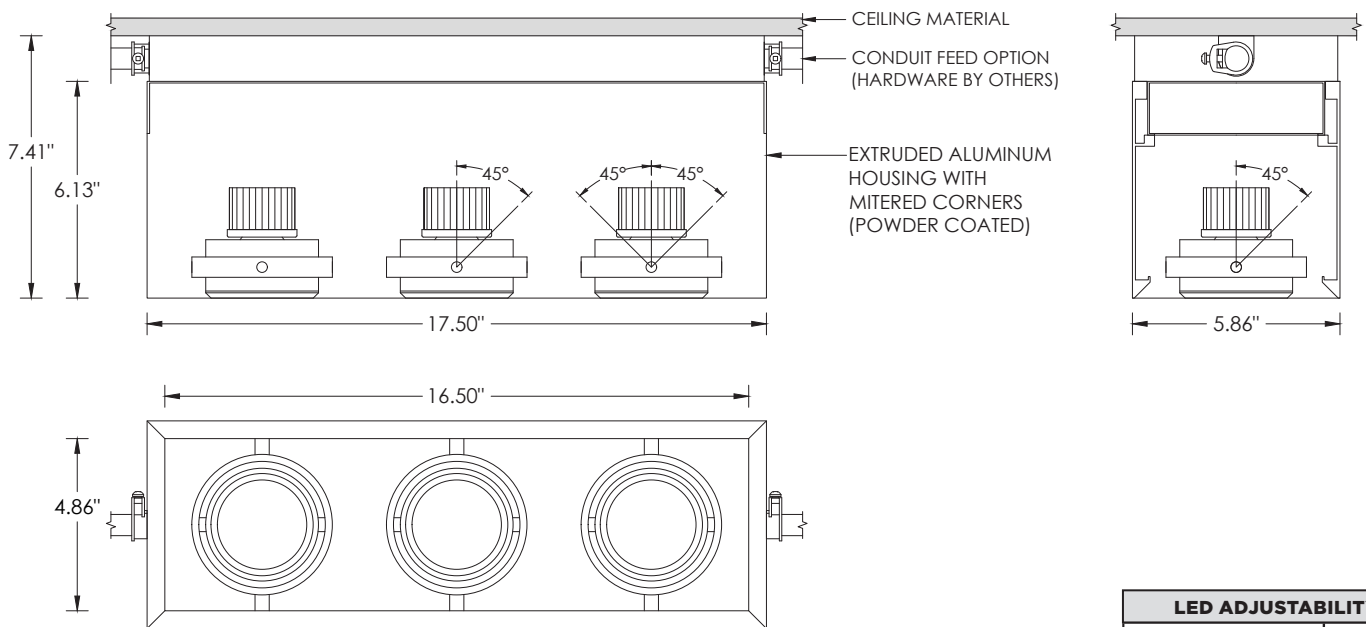
**WARRANTY**

- 5 Year Warranty on LED and drivers
- Manufacturer 1 Year Warranty for defects in material and workmanship under normal use
- Ambient temperature at fixture should not exceed 25°C

**DRAWINGS AND DIMENSIONS** STANDARD JUNCTION BOX



**DRAWINGS AND DIMENSIONS** CONDUIT FEED OPTION



LED ADJUSTABILITY	
Up to 2200lm	45°x45°
3000lm/4000lm	45°x35°
5000lm	45°x20°