

3G LIGHTING

3G-RC1-5RD

5" ROUND MADISON
TRIM & TRIMLESS

New construction housing with IC housing option available
Machined aluminum insert with seamless ceiling integration
Trim fixture designed to conceal internal hardware
Machined aluminum double gimbal. Adjustable and lockable
2.75" Regressed LED source for enhanced glare control
Lumen range of 1000lm to 5000lm (80+, 90+, and 97+ CRI options)
1% dimming standard with several integral driver options



ORDERING INFORMATION

PROJECT:	<input type="text"/>	TYPE:	<input type="text"/>
CATALOG #:	<input type="text"/>	DATE:	<input type="text"/>

CAT. NO	LUMEN OUTPUT	CRI	COLOR TEMP	BEAM ANGLE	VOLTAGE
3G-RC1-5RD	10 - 1000 LUMENS	S80 - 80+ CRI	27K - 2700K	10D - 10° ³	UNV - 120/277V
	15 - 1500 LUMENS	H90 - 90+ CRI ²	30K - 3000K	20D - 20°	120 - 120V
	22 - 2200 LUMENS	H97 - 97+ CRI ²	35K - 3500K	40D - 40°	347 - 347V (0-10V ONLY)
	30 - 3000 LUMENS		40K - 4000K	60D - 60°	
	40 - 4000 LUMENS			90D - 90°*	
	50 - 5000 LUMENS ¹				

* 90D reflector supplied standard with lens

DRIVER	FLANGE TYPE	GIMBAL FINISH	HOUSING INTERIOR
DIM - 0-10V (STANDARD 100-1%)	WT - WHITE TRIM (STANDARD)	NG - NATURAL ALUMINUM	BK - BLACK (STANDARD)
LE - PHASE DIMMING ⁴ (TRIAC/ELV, 100-1%)	ST - SILVER TRIM	BG - BLACK	
LTEA - LUTRON HI-LUME LTEA ⁴ (FWD PHASE, 100-1%)	BT - BLACK TRIM	WG - WHITE	
DO1 - 0-10V (eIdoLED, 100-0.1%)	CT - CUSTOM		
DALI - DALI (eIdoLED, 100-1%) ⁵	XTR - TRIMLESS		
DHL2 - LUTRON HI-LUME LDE1 (1% ECOSYSTEM)			
DMX - DMX (eIdoLED, 100-0%)			

HOUSING TYPE	OPTIONS
NC - NEW CONSTRUCTION (NON-IC)	CP - CHICAGO PLENUM
IC - IC HOUSING ⁶	BH - BAR HANGERS
	SF70 - SOFTENING LENS
	LS70 - LINEAR SPREAD
	HXB70 - BLACK HEXCELL LOUVER
	EMR - EMERGENCY BATTERY ⁷

Maximum 3 optical accessories. See optical accessories page for more options

¹ 5000lm option not available with phase dimming (LE/LTEA) or Lutron Hi-Lume (DHL2) option
² 90+ CRI available up to 4000lm. 97+ CRI in 30K and 35K as standard and available up to 3000lm
³ 10 degree reflector available up to 2200lm
⁴ Phase dimming options available in 120V only
⁵ DALI-2 (Type 6) provided as standard. Please consult factory for DALI (Type 8) options
⁶ IC Housing available up to 2200lm
⁷ Emergency battery installed remotely by others. Not accessible through the inside of the fixture

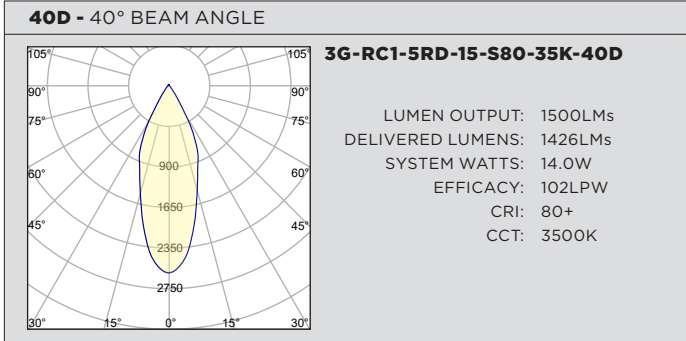
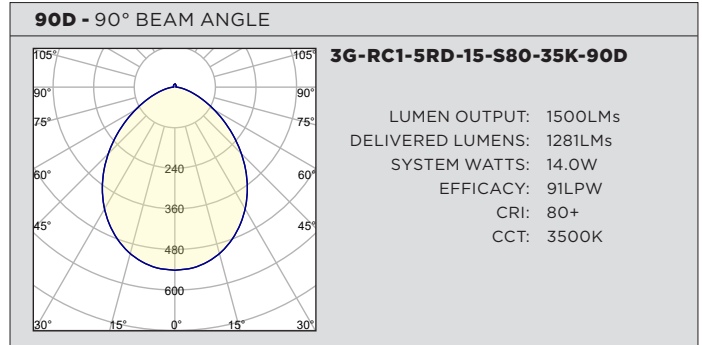
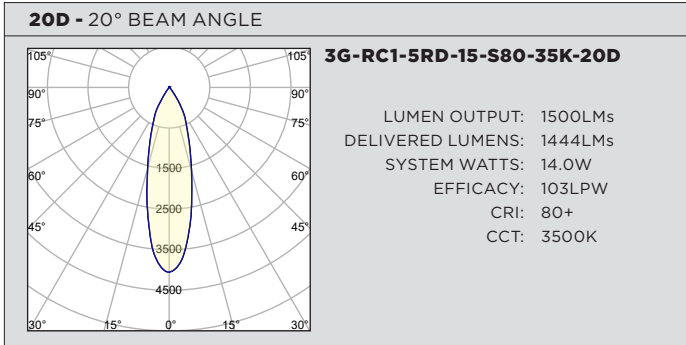
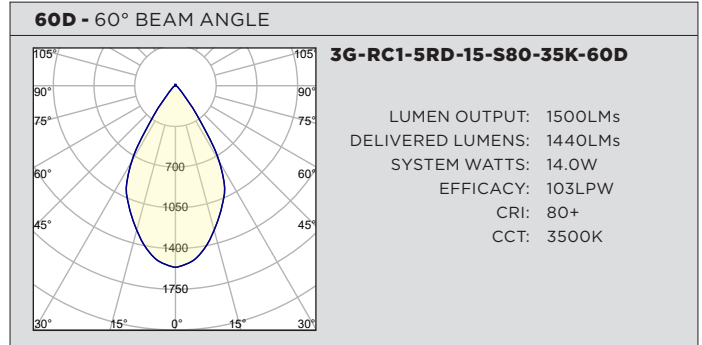
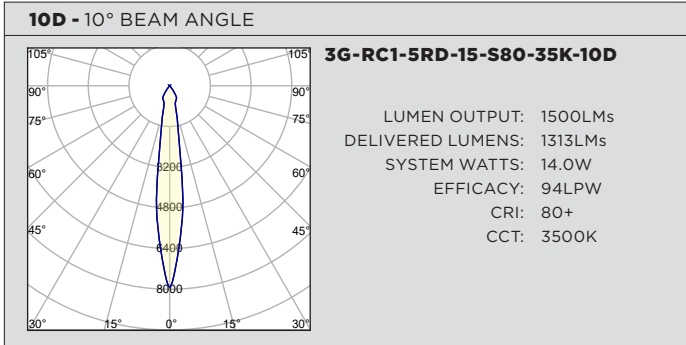
SEPTEMBER 14, 2020

PERFORMANCE CHART BASED ON 20° BEAM AND 3500K SOURCE

LUMEN OUTPUT	80+ CRI			90+ CRI			97+ CRI		
	DELIVERED LUMENS	SYSTEM WATTS	EFFICACY (LPW)	DELIVERED LUMENS	SYSTEM WATTS	EFFICACY (LPW)	DELIVERED LUMENS	SYSTEM WATTS	EFFICACY (LPW)
1000LMs	1080	10.3	105	951	10.3	92	886	10.3	86
1500LMs	1444	14.0	103	1271	14	91	1184	14	85
2200LMs	2089	22.0	95	1838	22	84	1713	22	78
3000LMs	2815	31.3	90	2477	31.3	79	2308	31.3	74
4000LMs	3958	43.0	92	3483	43	81	N/A	N/A	N/A
5000LMs	4207	47.3	89	N/A	N/A	N/A	N/A	N/A	N/A

LUMEN OUTPUT ADJUSTMENT FACTORS	CCT	Multiplier
	2700K	0.945
	3000K	0.985
	3500K	1.00
	4000K	1.01

PHOTOMETRY



TECHNICAL**HOUSING**

- New construction housing with IC housing option available
- Housing fabricated in cold rolled steel. Standard black powder coated finish
- Maximum ceiling thickness of 1". Consult factory for modifications
- All housing options designed to be easily converted in field to trim or trimless with minimal components
- Housings are rated for #12 AWG, (4 in, 4 out), 90°C conductors and through branch wiring

TRIM

- Features a 3/4" removable trim assembly designed to conceal inner hardware

TRIMLESS

- Mudding flange with integral blocking support
- Machined aluminum insert with seamless ceiling integration

ADJUSTABILITY

- Solid aluminum double gimbal with dual axis adjustability
- Each double gimbal can be locked in place

OPTICS

- Regressed LED source for enhanced glare control
- Proprietary anodized, aluminum reflectors are field replaceable (10° reflector not interchangeable)
- Available in 10°, 20°, 40°, 60° and 90°

ELECTRICAL

- Standard 0-10V, constant current drivers with 100-1% dimming range and >0.9 power factor
- Standard 120/277V universal voltage drivers. Optional 347V, 0-10V drivers
- 120V Forward Phase/Reverse Phase driver option with 100-1% dimming range
- eldoLED 0-10V driver option available with 100-0.01% dimming range
- eldoLED DALI and Lutron EcoSystem driver options available with 100-1% dimming range
- DMX driver option available with 100-0% dimming range
- All drivers are integral and easily accessible through fixture aperture

LED SYSTEM

- Citizen LED module (field replaceable)
- Color consistency <2 SDCM
- Standard (80+ CRI). Optional (90+ and 97+ CRI)
- Available in 27K, 30K, 35K, and 40K
- L90 >50,000 hours
- 5 Year Warranty

MOUNTING

- Trim fixture designed for use in drywall, wood, acoustic ceiling tiles, and other architectural ceiling materials
- Trimless fixture designed for use in drywall, mud-in ceiling applications
- Butterfly brackets compatible with 1/2" x 1/2" channel, 1/2", 5/8", 3/4" bar hanger, 1/2" EMT, and furring strips (supplied by others)

LISTING

- ETL listed and tested to cUL standards. Suitable for dry and damp locations

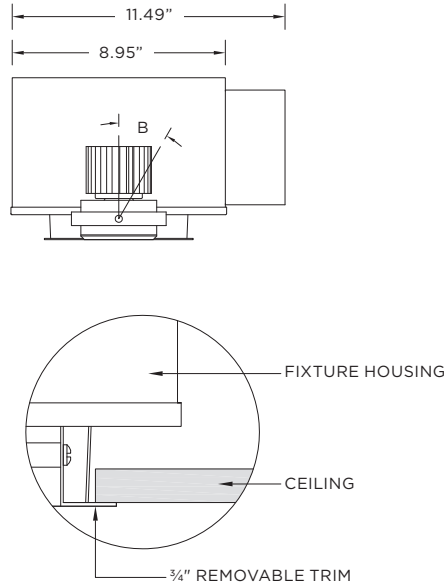
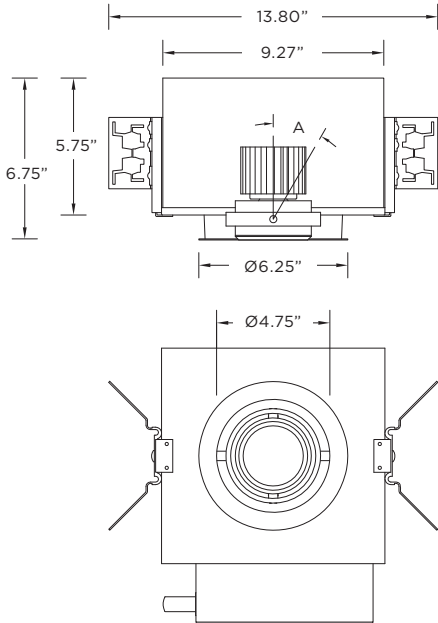
WARRANTY

- 5 Year Warranty on LED and drivers
- Manufacturer 1 Year Warranty for defects in material and workmanship under normal use
- Ambient temperature at fixture should not exceed 25°C

TRIM HOUSING OPTIONS

- NC** - New Construction (Non-IC)
- IC** - IC Housing (2200lm max)
- CP** - Chicago Plenum Housing

LUMEN OUTPUT	A	B
Up to 2200lm	45°	45°
3000lm/4000lm	35°	35°
5000lm	20°	30°



TRIMLESS HOUSING OPTIONS

- NC** - New Construction (Non-IC)
- IC** - IC Housing (2200lm max)
- CP** - Chicago Plenum Housing

LUMEN OUTPUT	A	B
Up to 2200lm	45°	45°
3000lm/4000lm	35°	35°
5000lm	20°	30°

