



SAF7 RGBW SPECIALTY ARCHITECTURAL FLOOD MVOLT LED

HIGHLIGHTS

- Suitable for a variety of mounting applications including ground, wall, pole, stanchion
- Performance color mixing utilizing high output quad LED
- 3G vibration rating per ANSI C136.31
- DMX/RDM
- Taper-Lock technology provides full aiming integrity utilizing both a rugged knuckle and yoke design
- White color temperatures available in 30K and 40K
- 1,600lm
- IK10 option available
- Minimalist design that provides clean and intentional lines and transitions
- Slightly convex watershed lens that evades water build up and staining
- Industry leading flow through design achieve with separately sealed optical chamber and driver
- Quad chip technology, enabling optimal color mixing under each individual optic. Avoid striations and color separation when wall grazing/washing



IP68

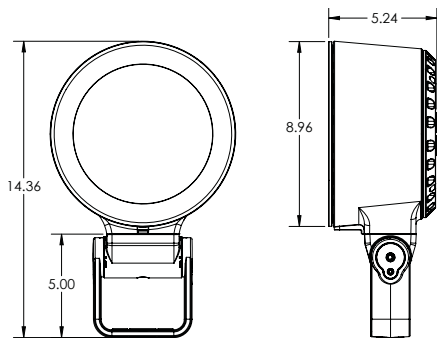


Buy American

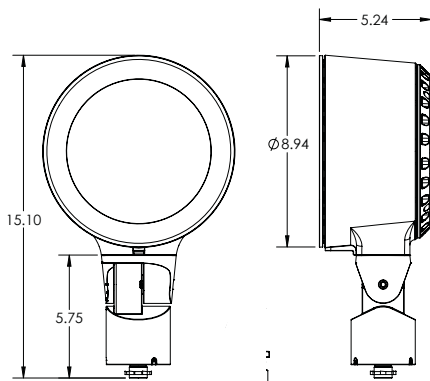
Specifications

Weight:	15lbs
EPA:	KM: .73 YM: .71

DIMENSIONS



YOKE



KNUCKLE

LUMEN PACKAGES

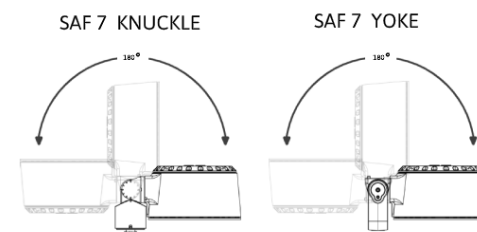
	10DEG	15DEG	20DEG	30DEG	40DEG	50DEG	70DEG
Delivered Lumens	1,639	1,564	1,554	1,533	1,508	1,497	1,451
Watts	45	45	45	45	45	45	45
LPW	36	35	35	34	34	33	32
Peak Candela	41,260	13,923	9,539	3,866	2,247	1,628	991
	15Vx60H	30Vx60H	60Vx15H	60Vx30H			
Delivered Lumens	1,600	1,544	1,497	1,475			
Watts	45	45	45	45			
LPW	36	34	33	33			
Peak Candela	4,002	2,207	4,150	2,098			

Note: Information based on RGBW4 @ P1

STANDARD DISTRIBUTION



AIMING DETAIL



ORDERING INFORMATION

EXAMPLE: SAF7 LED P1 RGBW3 MVOLT 10DEG CWL KM CJB L1 DMX BL

SAF7											
Series*	Source*	Performance Packages*	LED Dynamic Range*	Voltage*	Distribution*	Lens*	Mounting*				
SAF7	Specialty Architectural Flood	LED	P1	RGBW3 30K white (80CRI) RGBW4 40K white (80CRI)	MVOLT	10DEG 10° 15DEG 15° 20DEG 20° 30DEG 30° 40DEG 40° 50DEG 50° 70DEG 70° 15VX60H 15° x 60° 30VX60H 30° x 60° 60VX15H 60° x 15° 60VX30H 60° x 30°	CWL Clear Watershed Lens <i>Note: CWL lens IK07. For IK10 use external WRG option</i>	KM Knuckle YM Yoke			
Mounting Accessories		Options Internal Accessory		Options	Control Input*	External		Finish*			
ADPMR	Architectural Decorative Pole Mount Round	L1	Prismatic Lens	CSL_ 10' - 50' of cord available in 5' increments <i>Note: Cord length required for Yoke Mounting only</i>	DMX	GS	Glare shield	BL	Black Textured		
ADPMS	Architectural Decorative Pole Mount Square	L2	Linear Spread Lens			FGS	Full Glare Shield	BRS	Bronze Smooth		
AMPC_/_	Architectural Mid Pole Clamp available to fit on a 4" or 6" pole with 1 or 2 fixtures	L3	Softening Lens			WRG	Wire Rock Guard	BRT	Bronze Textured		
APAR	Round 18" Pole Mount	IHL	Honeycomb Louver					CF	Custom Finish		
APAS	Square 18" Pole Mount	<i>Note: Only one Internal accessory can be chosen</i>						DBL	Black Smooth		
AWSC	Architectural Wall Splice Cover	Hardware						DDB	Designer Bronze		
CAJB	Cylindrical Architectural Junction box	TPH	Tamper proof hardware					DNA	Natural Aluminum		
CJB	Cylindrical Junction Box	LASC	Safety Cable					NBS	Natural Bronze Smooth		
CPM	Cylindrical Pedestal Mount							VET	Verde Textured		
CPMSA	Cylindrical Pole Mount Splice Access							WH	White Textured		
CSM_	Cylindrical Stancion Mount 12"-48" available in 6" increments							WHS	White Smooth		
CWMA_E	Cylindrical Wall Mount Arm. End 12"-48" (available in 6" increments)							_Z	Zinc Undercoat (i.e. BLZ)		
CWMA_T	Cylindrical Wall Mount Arm Top 12"-48" (available in 6" increments)							CF	Custom Finish		
								RALTB	RAL Paint Finishes		
									<i>Note: RALTB for pricing only, replace with applicable RAL call out when ready to order. See the RALBROCHURE for available options. It is recommended that Hydrel products only use textured paint.</i>		

*Required Fields

PERFORMANCE DATA

LUMEN OUTPUT – SAF7_RGBW

Lumen values are from photometric tests performed in accordance with IESNA LM-79-08. Data is considered to be representative of the configurations shown, within the tolerances allowed by Lighting Facts. Actual performance may differ as a result of end-user environment and application. Contact factory for performance data on any configurations not shown here.

Performance Package	System Watts	Distribution Type	Field Angle		Beam Angle		RGBW3			RGBW4		
			°H	°V	°H	°V	Max CD	Lumens	LPW	Max CD	Lumens	LPW
P1	45W	10DEG	18	18	9	9	39,960	1,588	35	41,260	1,639	36
		15DEG	32	32	16	16	13,485	1,515	34	13,923	1,564	35
		20DEG	39	39	20	20	9,239	1,505	33	9,539	1,554	35
		30DEG	61	61	33	33	3,745	1,485	33	3,866	1,533	34
		40DEG	78	78	47	47	2,176	1,461	32	2,247	1,508	34
		50DEG	90	90	56	56	1,577	1,450	32	1,628	1,497	33
		70DEG	111	111	77	77	960	1,406	31	991	1,451	32
		15Vx60H	95	34	66	16	3,876	1,549	34	4,002	1,600	36
		30Vx60H	98	61	66	33	2,137	1,496	33	2,207	1,544	34
		60Vx15H	33	93	16	65	4,019	1,450	32	4,150	1,497	33
60Vx30H	62	100	34	68	2,032	1,429	32	2,098	1,475	33		

CSA LISTING TEMPERATURE: -20°C though 40°C

ELECTRICAL LOAD

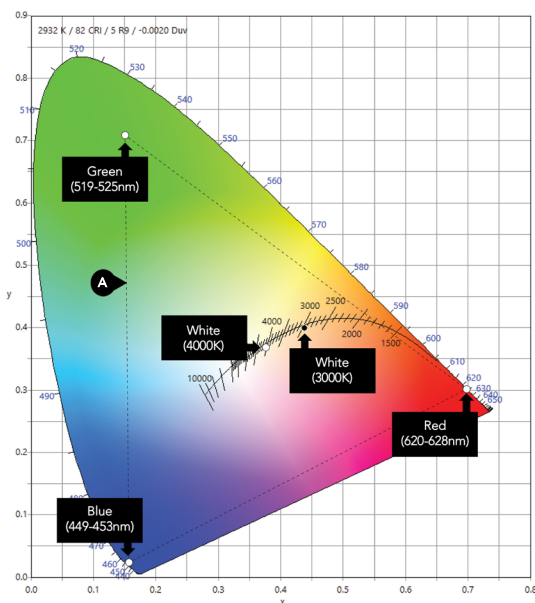
Light Engines	Drive Current (mA)	System Watts	Current (A)			
			120	208	240	277
RGBW P1 10+deg	500	45	0.38	0.22	0.19	0.17

LUMEN AMBIENT TEMPERATURE (LAT) MULTIPLIERS

Use these factors to determine relative lumen output for average ambient temperatures from 0-40°C (32-104°F)

Ambient	Ambient	Lumen Multiplier*
0°C	32°F	1.27
10°C	50°F	1.16
20°C	68°F	1.05
25°C	77°F	1.00
30°C	86°F	0.94
40°C	104°F	0.83

RGBW GAMUT AND RANGE



A RGBW Range within triangle formed by RGB

- The Gamut of a luminaire determines the potential color range, specifically the dominant wavelength of each primary color.
- The Path determines the range of colors the user can select for the luminaire.

ARCHITAINMENT COLOR GPHD

- **Gamut** Triangular
- **Path** Full RGB gamut
- **Handle** Four Handles: Red, Green, Blue, White
- **Data** DMX512/RDM

The RGBW Range reaches the full range of saturated colors and subtle pastels to create bold transformational effects.

Optical Scaling Charts*

Symmetric Distributions (10DEG - 70DEG)	
GS	0.96
FGS	0.95
IHL	0.76
L1	0.95
L2	0.95
L3	0.97
WRG	0.81
*Wider distributions will have a lower scaling factor - see individual IES files for full details	
Asymmetric Distributions (xxVxH)	
GS	0.93*
FGS	0.85*
IHL	0.35
L1	0.88
L2	0.86
L3	0.95
WRG	0.71

Note: This table can be used to approximate the lumen values with different accessories. Please see IES files for exact lumen outputs.

SAF MOUNTING ACCESSORIES

		Part #
	<p>ADPMR/ADPMS Architectural Decorative Pole Mount Round or Square</p> <ul style="list-style-type: none"> • Architectural opulent design for seamless pole integration and fixture aiming • Intended for 4" round and tapered poles or minimum 4" square poles • Mounting location on the top of each arm accepts one lighting fixture • Designed for SAF7 & SAF14 fixtures 	<p>Examples: ADPMR 78C BL See spec sheet for more options</p>
	<ul style="list-style-type: none"> • AMPC Architectural Mid Pole Clamp • Clamp pole mount design for quick install and fixture aiming • Intended for 4" or 6" round straight pole • Mount one or two fixtures • Mounting location mid pole • Designed for SAF7 and SAF14 series with safety cable option 	<p>Example: AMPC4/1 78C BL See spec sheet for more options</p>
	<p>APAR/APAS Architectural Pole Arm Round or Square</p> <ul style="list-style-type: none"> • Intended for 4" round and tapered poles or minimum 4" square poles • Mounting location on the top of each arm accepts one lighting fixture • Designed for SAF7 & SAF14 fixtures 	<p>Example: APAS XLSC BRS See spec sheet for more options</p>
	<p>AWSC Architectural Wall Splice Cover</p> <ul style="list-style-type: none"> • Designed to be mounted over a recessed wall box or can be surface mounted for direct conduit entrance • Supplied with an integral splice access compartment for easy fixture connections • Designed for SAF7 & SAF14 fixtures 	<p>Example: AWSC 78C DNA See spec sheet for more options</p>
	<p>CAJB Cylindrical Architectural Junction Box</p> <ul style="list-style-type: none"> • Designed for architectural and landscape applications • Recommended for mounting on a rigid metallic conduit • For direct mounting of the SAF7 & SAF14 series light fixtures 	<p>Example: CAJB 34B XLSC DBL See spec sheet for more options</p>
	<p>CJB Cylindrical Junction Box</p> <ul style="list-style-type: none"> • Drilled and tapped to 3/4" NPT specifications • For larger hole sizes, consult factory • Recommended to seal conduit to maintain dry components • Compatible with SAF7 & SAF14 Flood luminaires 	<p>Example: CJB 34S XLSC VET See spec sheet for more options</p>

SAF MOUNTING ACCESSORIES

		Part #
	<p>CPM Cylindrical Pedestal Mount</p> <ul style="list-style-type: none"> • Suitable for architectural and landscape applications • Provided with front access cover for easy wiring and installation. • Compatible with SAF7 & SAF14 Flood luminaries 	<p>Example: CPM 78C BL See spec sheet for more options</p>
	<p>CPMSA Cylindrical Pole Mount Splice Access</p> <ul style="list-style-type: none"> • Designed to mount atop of 4" round poles • Provided with splice compartment • Compatible with SAF7 & SAF14 Flood luminaries 	<p>Example: CPMSA 78C DBL See spec sheet for more options</p>
	<p>CSM Cylindrical Stanchion Mount</p> <ul style="list-style-type: none"> • Available in heights from 12" to 48" in 6" increments • Provided with front access cover for easy wiring and installation. • Compatible with SAF7 & SAF14 Flood luminaries 	<p>Example: CSM12 XLSC BRT See spec sheet for more options</p>
	<p>CWMA E/CWMA T Cylindrical Wall Mount Arm End or Top</p> <ul style="list-style-type: none"> • Available in lengths from 12" to 48" in 6" increments • Supplied with splice cover for easy wiring and installation • End mounting only available with SAF7 • Compatible with SAF7 & SAF14 Flood luminaries 	<p>Example: CWMA30E 78C BL CWMA12T XLSC BRS See spec sheet for more options</p>

EXTERNAL ACCESSORIES

		Part #
	<ul style="list-style-type: none"> • WRG- Wire Rock Guard 	<p>Example: WRGSAF7 BL</p>
	<ul style="list-style-type: none"> • FGS- Full Glare Shield 	<p>Example: FGSSAF7 DDB</p>
	<ul style="list-style-type: none"> • GS- Glare Shield 	<p>Example: GSSAF7 BL</p>

ACCESSORY OPTIONS

FRESCO CONTROL SYSTEM

Series	Model	Options	Finish
FCS	Fresco Control System	7TSN 7" touchscreen with nLight port	X DMX/RMD control
			DBL Black DWH White DNA Natural Aluminum

Refer to [FRESCO](#) spec sheet for additional details and options.



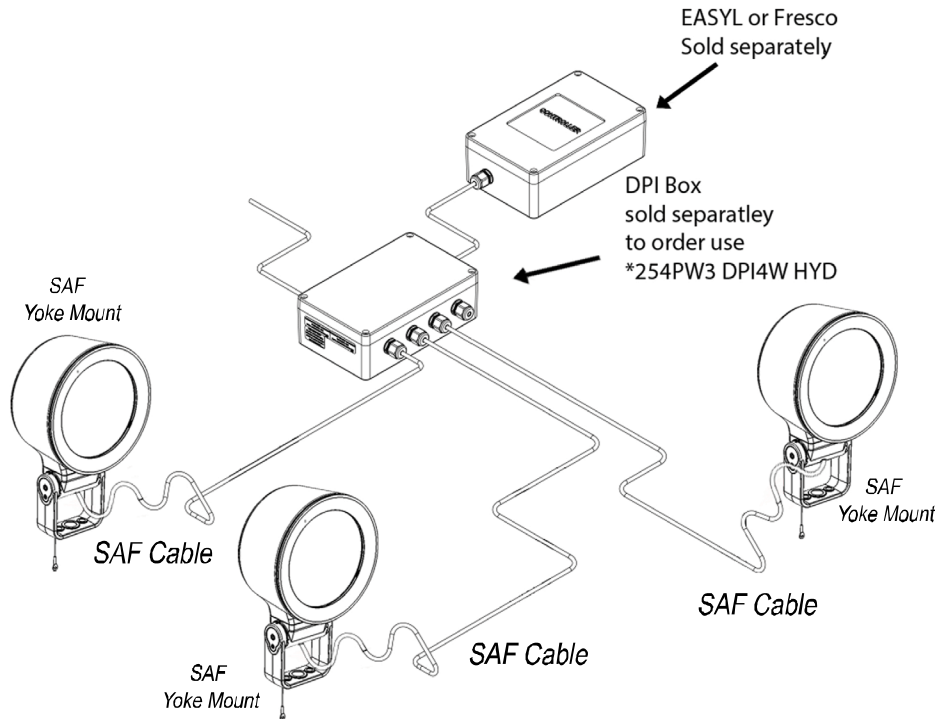
DMX / POWER INTEGRATOR

Model
DPI4WHYD DPI4WHYD - DMX/Power Integrator Box

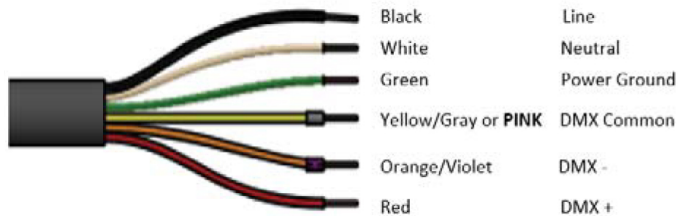
Refer to [DPI4WHYD](#) spec sheet for additional details.



WIRING AND LAYOUT DESIGN



Wiring Detail - DMX RGBW Fixture



FEATURES & SPECIFICATIONS

MATERIAL: Die cast copper-free aluminum (A360) housing & doors with separate optical and driver compartments to ensure thermal isolation of the electronic drivers and LED's.

VOLTAGE: MVOLT 120V-277V, 50/60Hz.

DISTRIBUTION: Available in 10DEG, 15DEG, 20DEG, 30DEG, 40DEG, 50DEG, 70DEG, 15Vx60H, 30Vx60H, 60Vx15H and 60Vx30H.

LENS: Molded from heat strengthened borosilicate glass for superior clarity and strength.

MOUNTING: Adjustable knuckle is 1/2" NPT. Yoke mount is a 7/8" thru hole center and (2) 7/16" thru holes 2.2" on center. Aluminum knuckle, yoke, & stainless steel locking hardware with infinite aiming adjustment capabilities and a wide array of mounting accessories. The SAF series can withstand up to a 3G vibration load rating per ANSI/IEEE C136.31. Yoke mount luminaires are provided with 10' or 25' of 18-6 ST cord for power supply and control. Knuckle mount luminaires are provided with 18" leads (qty 3 #18 for power supply and qty 3 # 22 for control).

GLARE CONTROL: External glare control options include full glare shields and half glare shields.

FINISH: Exterior parts are protected by a zinc-infused durable TGIC thermoset powder coat finish that provides superior resistance to corrosion and weathering. A tightly controlled multi-stage process ensures a minimum 3 mils thickness for a finish that can withstand extreme climates without cracking or peeling.

ELECTRICAL: MVOLT (120-277) LED class 2 power supply. 45 watts max, L83 lifetime \geq 100,000 hours at 25°C. Power factor > 90%, THD < 20%. 6kV surge protection meets a minimum Category C low operation per ANSI/IEEE C62.41.2.

FEATURES: Taper lock knuckle and yoke for infinite aiming and an unparalleled locking ability.

EXTERNAL ACCESSORY: Impact resistant rock guard.

BUY AMERICAN: Hydrel products are assembled in the USA. Our products meet the Buy America(n) government procurement requirements under FAR, DFARS, and DOT. Please refer to www.acuitybrands.com/buy-america

LISTING: cCSAus, suitable for outdoor & wet location, IP68 rated.

WARRANTY: 5-year limited warranty. Complete warranty terms located at: www.acuitybrands.com/support/customer-support/terms-and-conditions

Consult factory for details

NOTE: Actual performance may differ as a result of end-user environment and application. All values are design or typical values, measured under laboratory conditions at 25 °C. Specifications subject to change without notice.