

Gotham Architectural Downlighting  
LED Downlights

**4" Evo® Tunable White  
Downlight**



Solid-State Dynamic Lighting

FEATURES

**OPTICAL SYSTEM**

- Self-flanged semi-specular, matte-diffuse or specular finishing trim
- Patented Bounding Ray™ optical design (U.S. Patent No. 5,800,050)
- 45° cutoff to source and source image
- Top-down flash characteristic
- Polycarbonate lens integral to light engine

**MECHANICAL SYSTEM**

- 16-gauge galvanized steel construction; maximum 1-1/2" ceiling thickness
- Telescopic mounting bars maximum of 32" and minimum of 15", preinstalled, 4" vertical adjustment
- Toolless adjustments post installation
- Junction box capacity: 8 (4 in, 4 out ) 12AWG rated for 90°C
- Light engine and driver accessible through aperture

**ELECTRICAL SYSTEM**

- Fully serviceable lensed LED light engine
- 70% lumen maintenance at 36,000 hours
- Tested according to LM-79 and LM-80 standards
- Overload and short circuit protected
- 2.5 SDCM; Typical CRI of 90 at 3000K

**LISTINGS**

- Fixtures are CSA certified to meet US and Canadian standards; wet location, covered ceiling

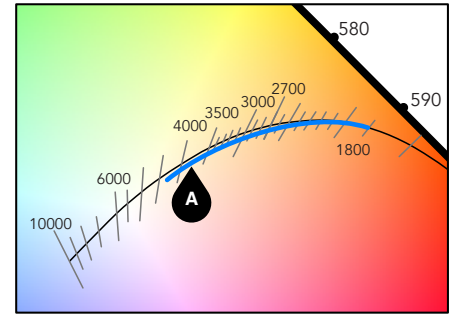
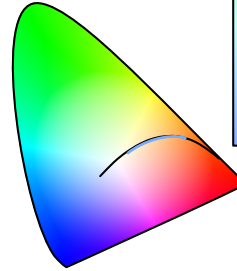
**WARRANTY**

- 5-year limited warranty. Complete warranty terms located at: [www.acuitybrands.com/CustomerResources/Terms\\_and\\_conditions.aspx](http://www.acuitybrands.com/CustomerResources/Terms_and_conditions.aspx)

Note: Actual performance may differ as a result of end user environment and application. All values are design or typical values, measured under laboratory conditions at 25° C.

**TUNABLE WHITE GPHD**

- **Gamut** Triangular: to achieve efficiency and CRI
- **Path** Curved tracking Black Body Curve: 1800K-4300K (Atmosphere Range)
- **Handle** Two Natural Language Handles: Intensity and CCT
- **Data** DMX512/RDM



**A** Atmosphere Range 1800K to 4300K

ORDERING INFORMATION

**EXAMPLE: EVO TUWH ATMR/10 4AR MD LSS 120 DMX**

| Series                       | Sub Series             | Dynamic Feature           | Dynamic Range                              | Lumens <sup>1</sup> | Aperture/Trim Color | Aperture Type        |
|------------------------------|------------------------|---------------------------|--|---------------------|---------------------|----------------------|
| <b>EVO</b> Dynamic downlight | (blank) Open downlight | <b>TUWH</b> Tunable White | <b>ATMR</b> 1800K-4300K 'Atmosphere Range' | /10 1000 Lumens     | <b>4AR</b> Clear    | (blank) Self-flanged |
|                              |                        |                           |  | /18 1800 Lumens     | <b>4PR</b> Pewter   | FL Flangeless        |
|                              |                        |                           |  |                     | <b>4WTR</b> Wheat   |                      |
|                              |                        |                           |  |                     | <b>4GR</b> Gold     |                      |

| Distribution                      | Aperture Finish          | Voltage         | Control Interface Type                         | Options                                       |
|-----------------------------------|--------------------------|-----------------|--|---|
| <b>MD</b> Medium (0.8 s/mh)       | <b>LSS</b> Semi-specular | <b>120</b> 120V | <b>DMX</b> DMX control with Phoenix connectors | <b>SF</b> Single fuse                         |
| <b>MWD</b> Medium wide (1.0 s/mh) | <b>LD</b> Matte-diffuse  | <b>277</b> 277V |  | <b>TRW</b> <sup>3</sup> White painted flange  |
| <b>WD</b> Wide (1.2 s/mh)         | <b>LS</b> Specular       |                 |  | <b>TRBL</b> <sup>4</sup> Black painted flange |

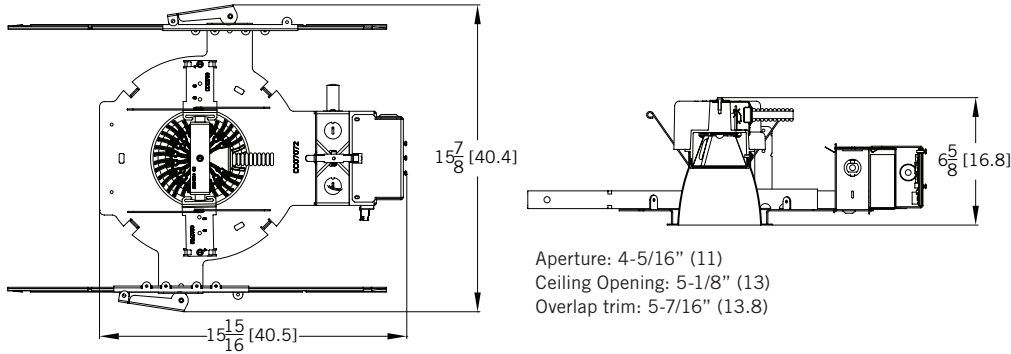
ACCESSORIES

ACCESSORIES order as separate catalog numbers (shipped separately)

- SCA4** Sloped ceiling adapter. Degree of slope must be specified (5D, 10D, 15D, 20D, 25D, 30D). Ex: SCA4 10D. Refer to [TECH-190](#).
- CTA4-8 YK** Ceiling thickness adapter (extends mounting frame to accommodate ceiling thickness up to 5"). Adds 1" to fixture height.
- FCS 7TSN XE DBL** Fresco Lighting Control with DMX and ethernet. Refer to [FRESCO](#) spec sheet for additional options.
- DXT 1M09 2M12 NE1L** DMX512 RDM configuration gateway. Refer to [DXT](#) spec sheet for additional options.

DIMENSIONAL DATA

All dimensions are inches (centimeters) unless otherwise noted.



Aperture: 4-5/16" (11)  
Ceiling Opening: 5-1/8" (13)  
Overlap trim: 5-7/16" (13.8)

| Tunable White Spacing Requirements |            |            |
|------------------------------------|------------|------------|
|                                    | 1000 Lumen | 1800 Lumen |
| Center to Center Spacing           | 24"        | 36"        |
| Above Spacing                      | 6"         | 12"        |
| Center to Wall Spacing             | 12"        | 18"        |

DYNAMIC SPECIFICATIONS

|     |                  | PERFORMANCE ACROSS COLOR TEMPERATURE* |       |       |       |       |       |       |
|-----|------------------|---------------------------------------|-------|-------|-------|-------|-------|-------|
|     |                  | 1800K                                 | 2200K | 2700K | 3000K | 3500K | 4000K | 4300K |
| /10 | Delivered Lumens | 678                                   | 856   | 956   | 954   | 928   | 924   | 886   |
|     | Watts            | 18                                    | 20    | 19    | 19    | 20    | 21    | 22    |
|     | LPW              | 39                                    | 43    | 50    | 50    | 47    | 43    | 41    |
|     | CRI              | 86                                    | 91    | 94    | 93    | 92    | 89    | 88    |
|     | R9               | 57                                    | 73    | 73    | 71    | 67    | 62    | 58    |
| /18 | Delivered Lumens | 1316                                  | 1661  | 1857  | 1853  | 1802  | 1794  | 1720  |
|     | Watts            | 34                                    | 39    | 39    | 35    | 32    | 34    | 33    |
|     | LPW              | 39                                    | 43    | 48    | 54    | 56    | 54    | 52    |
|     | CRI              | 84                                    | 90    | 93    | 90    | 95    | 92    | 89    |
|     | R9               | 91                                    | 84    | 94    | 84    | 92    | 75    | 62    |

\*Values shown for EVO TUWH ATMR/## 4AR MWD LSS 120 DMX

NOTES

| ORDERING NOTES                                |  |
|---|--|
| 1. Nominal lumen values when tested at 3500K. | 3. Not available with white reflector. |
| 2. Not available with finishes.               | 4. Not available with black reflector. |

CONSULT GOTHAMLIGHTING.COM FOR PHOTOMETRY

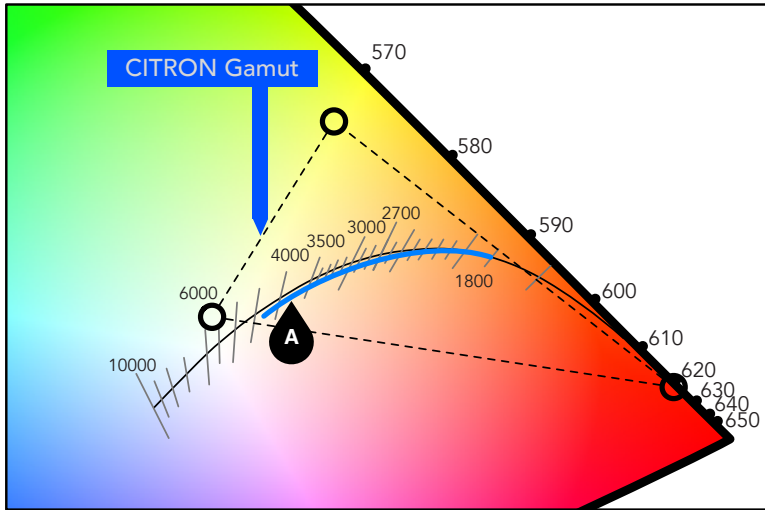
| LUMEN OUTPUT MULTIPLIER - TRIM FINISH |            |             |             |           |                 |            |
|---------------------------------------|------------|-------------|-------------|-----------|-----------------|------------|
| FINISH                                | CLEAR (AR) | PEWTER (PR) | WHEAT (WTR) | GOLD (GR) | WHITE (WR/WRAF) | BLACK (BR) |
| Specular (LS)                         | 1.00       | 0.88        | 0.83        | 0.95      | N/A             | N/A        |
| Semi-specular (LSS)                   | 0.95       | 0.84        | 0.79        | 0.90      | N/A             | N/A        |
| Matte-diffuse (LD)                    | 0.85       | 0.73        | 0.69        | 0.80      | N/A             | N/A        |
| Paint                                 | N/A        | N/A         | N/A         | N/A       | 0.87            | 0.73       |

PHOTOMETRY NOTES

- Tested in accordance with IESNA LM-79-08.
- Tested to current IES and NEMA standards under stabilized laboratory conditions.
- Typical CRI of 90 at 3000K.

GAMUT/PATH

CITRON GAMUT SHOWING THE ATMOSPHERE RANGE



- The Gamut of a luminaire determines the potential color range as well as light quality through measurements such as CRI and R9.
- The Path determines the range of color temperatures for the luminaire and how it tracks the Black Body Curve.

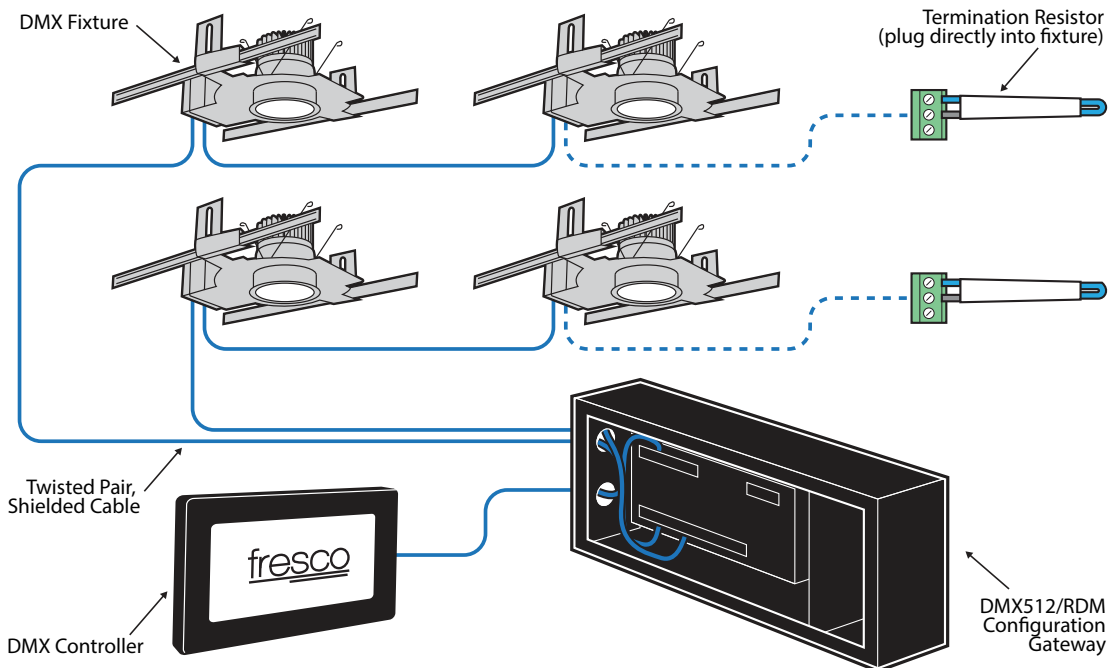
The Atmosphere Range reaches the rich familiar warm color of 1800K and can seamlessly shift to 4300K along the black body curve.

**A** Atmosphere Range 1800K to 4300K

CITRON Gamut allows curved Path within dashed lines

HANDLE/DATA-DMX

TYPICAL DMX NETWORK LAYOUT WITH CONFIGURATION GATEWAY



For additional information refer to Gotham [DMX512 / RDM Field Installation Manual](#).