

BeveLED® 2.2 Incline Infinite Color+ - B4RG-FC1

4.5" Round Downlight for Sloped Ceilings

Field Convertible from Trimless or Millwork to Trimmed

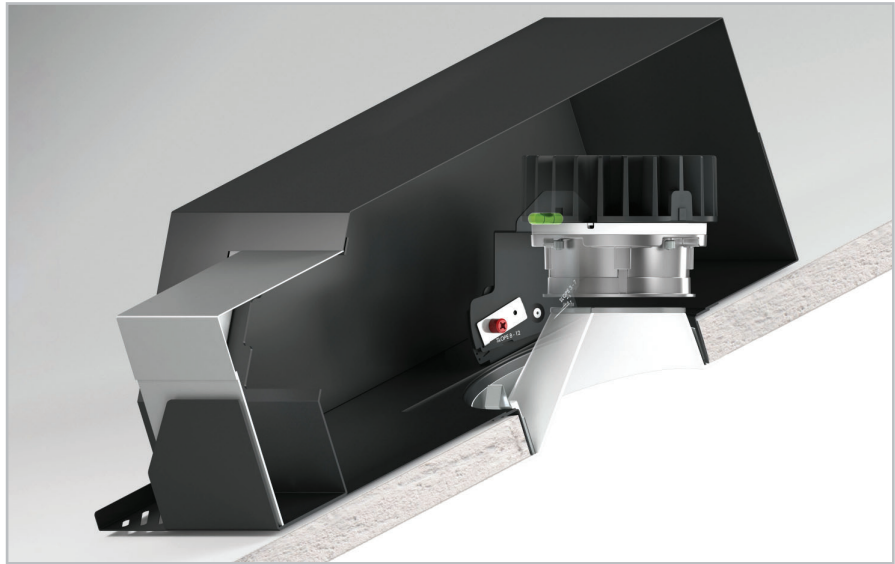
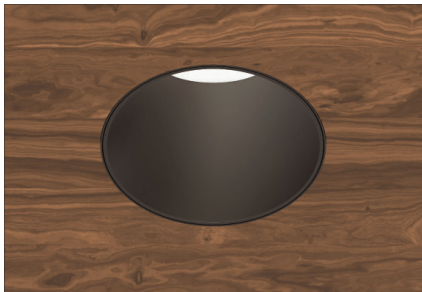
Trimmed - B4RGF



Trimless - B4RGL



Millwork - B4RGM




usailighting.com/slopedceiling-infinitecolor

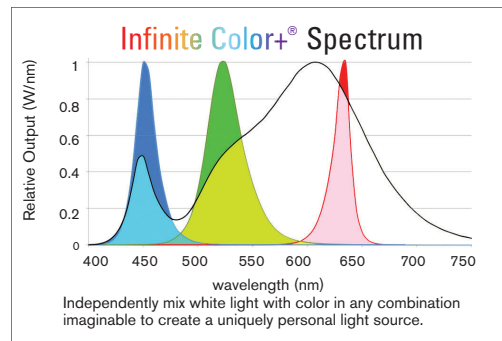
Introducing Beautiful, Precise Recessed Lighting for Sloped Ceiling Installations Up to 45 Degrees. Now available in full color plus white light flexibility

FEATURES

- Solutions for angles from 15° (3/12 pitch) to 45° (12/12 pitch)
- Perfect round and square roomside appearance
- Installations are always aligned with integral leveler
- Works with sheetrock, stone, plaster, and millwork ceilings
- Easily change from trimless or millwork to trimmed in the field

DOWNLIGHT PERFORMANCE DATA

| DELIVERED* PERFORMANCE: |  Infinite Color + | |
|--------------------------------|------------------------------------------------------------------------------------------------------|-----------------------------|
| | White Light Channel Only | Multi Channel Output |
| Wattage | 20W | 32W |
| Source Lumens: | 1675 | 2100 |
| Lumens Per Watt: | 50 | 38 |
| Delivered Lumens: | 950 | 1200 |



*Based on 55° optic. Performance varies for each specific beamspread and color point; see ies files for exact values at usailighting.com

BeveLED® 2.2 Incline Infinite Color+ - B4RG-FC1 4.5" Round Downlight for Sloped Ceilings

Specify fixture part number. (All boxes must be filled in to correctly order)

| B4RG | | 32FC1 | | SF | | | | UNV | | | |
|---------------------------------------------------------------------------------------------------------------|-----------------------------------------------------------------------------------------------------------------------------------------------------------------------------------------------------------------------|-------------------------|----------------------------------------------------|-----------------------------|----------------------------------------------------------------------------------------------------------------------------------------------------------------------------------------------------------------------|----------------------------------------------------------------------------------------------------------------------------------------------------------------------------------------------------------------------|--------------------------------------------------------------------|--------------------------------------|-------------------------------------------------------------------------------------------------------------------------------------------------------------------------------------|-----------------------------------------------------------------------------------------------|------------------------------------------------------------------------------------------------------------------------------------------------------|
| BeveLED Trim Style | Ceiling Slope | Wattage Options | Beam Options | Lens Options | Bevel Trim Finish Options | *Flange/ Millwork Collar Finish | Housing Options | Voltage Options <i>Select one</i> | Dimming Driver Options | Cabling Options <i>Select one</i> | Accessories (Optional)* |
| F Trimmed with Flange L Trimless Spackle-in M Millwork Knife-edge | 30 Angled trim accommodates ceiling slopes from 15° (3/12 pitch) to 30° (7/12 pitch) maximum 45 Angled trim accommodates ceiling slopes from 30° (7/12 pitch) to 45° (12/12 pitch) maximum | 32FC1 32W LED | 55 55° beam 75 75° beam | SF Solite Frosted | WH White SC Conduit Silver GR Grey BL Black BZ Bronze PR Primer Finish RAL Custom Color Specify RAL# | WH White SC Conduit Silver GR Grey BL Black BZ Bronze PR Primer Finish RAL Custom Color Specify RAL# | NC New Construction NCCP Chicago Plenum | UNV 120V-277V | D23X1 EldoLED DMX 0.1% dimming, manual addressing using RDM protocol, 8 bit D23X2 EldoLED DMX 0.1% dimming, manual addressing using RDM protocol, 16 bit | RJ RJ45 Jacks WR Manual Wire Splice Connection (provided standard) | EM Emergency Battery (available with NC housing only) EMW Emergency Battery Wet Location (available with NC housing only) |
| | | | | | | | | | | | * Leave blank for trimless |

TRIM FINISH OPTIONS



White



Conduit Silver



Grey



Black



Bronze



Custom RAL (example)



Custom RAL (example)

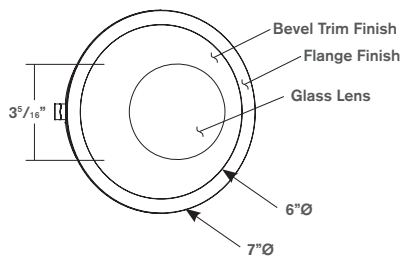
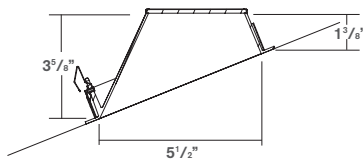
Custom colors and primer finish also available

BeveLED® 2.2 Incline Infinite Color+ - B4RG-FC1 4.5" Round Downlight for Sloped Ceilings

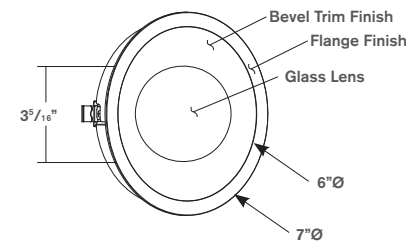
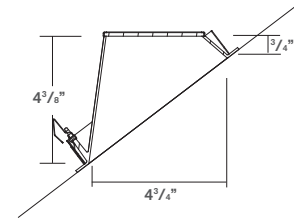
Trimmed - B4RGF

TRIM DETAILS

For 15° (3/12) - 30° (7/12) Slope Ceilings



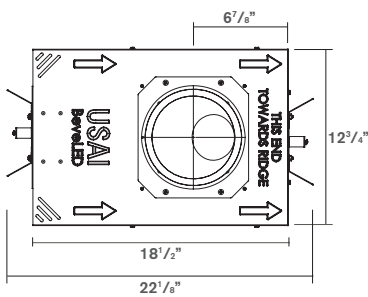
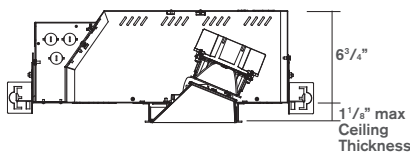
For 30° (7/12) - 45° (12/12) Slope Ceilings



HOUSING OPTIONS

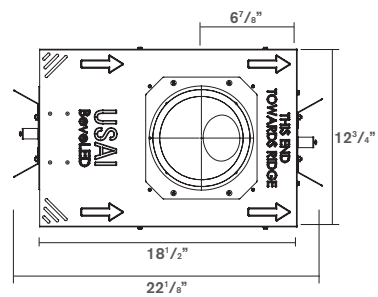
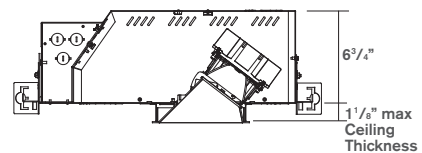
For 15° (3/12) - 30° (7/12) Slope Ceilings

New Construction - NC
Chicago Plenum - NCCP



For 30° (7/12) - 45° (12/12) Slope Ceilings

New Construction - NC
Chicago Plenum - NCCP

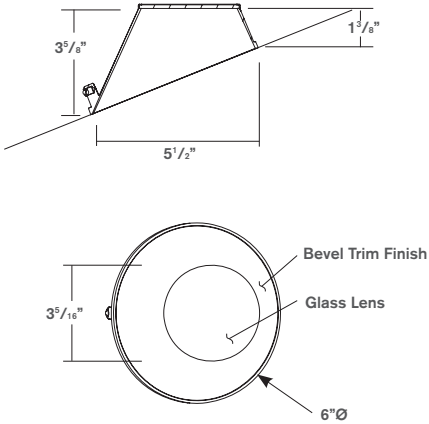


BeveLED® 2.2 Incline Infinite Color+ - B4RG-FC1 4.5" Round Downlight for Sloped Ceilings

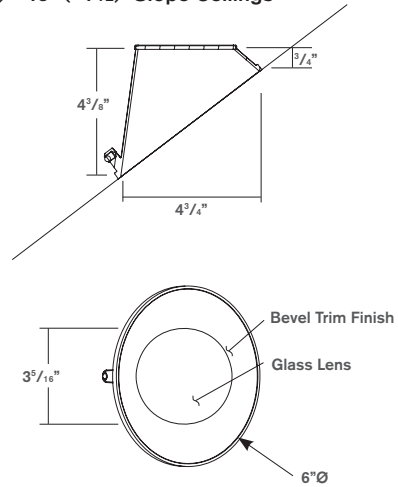
Trimless - B4RGL

TRIM DETAILS

For 15° (3/12) - 30° (7/12) Slope Ceilings



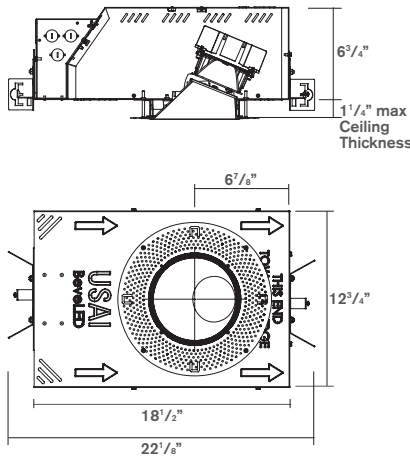
For 30° (7/12) - 45° (12/12) Slope Ceilings



HOUSING OPTIONS

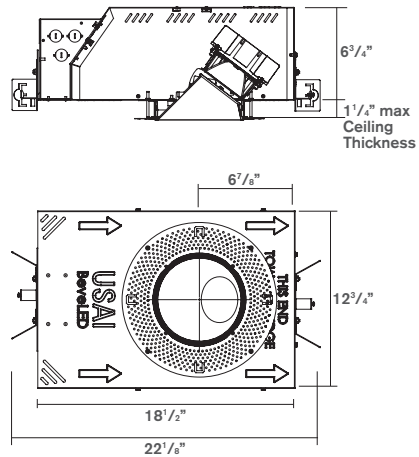
For 15° (3/12) - 30° (7/12) Slope Ceilings

New Construction - NC
Chicago Plenum - NCCP



For 30° (7/12) - 45° (12/12) Slope Ceilings

New Construction - NC
Chicago Plenum - NCCP



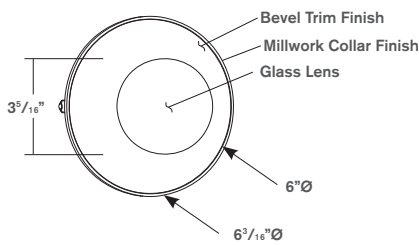
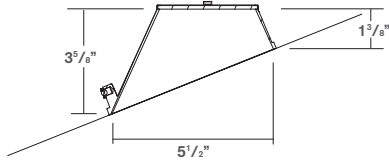
BeveLED® 2.2 Incline Infinite Color+ - B4RG-FC1

4.5" Round Downlight for Sloped Ceilings

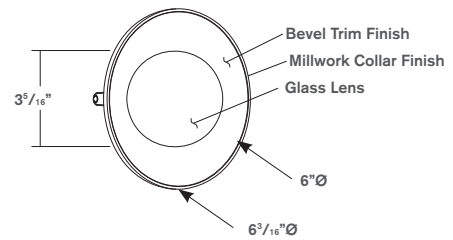
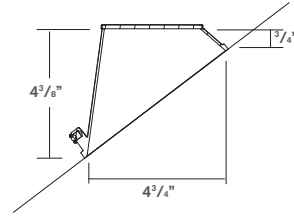
Millwork - B4RGM

TRIM DETAILS

For 15° (3/12) - 30° (7/12) Slope Ceilings



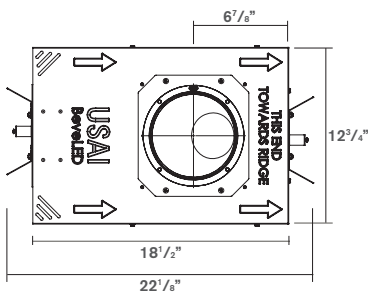
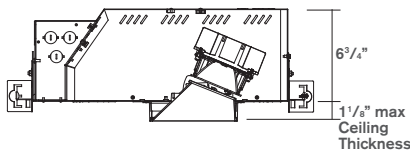
For 30° (7/12) - 45° (12/12) Slope Ceilings



HOUSING OPTIONS

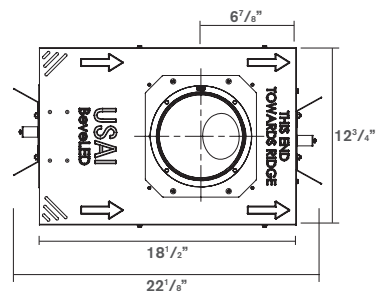
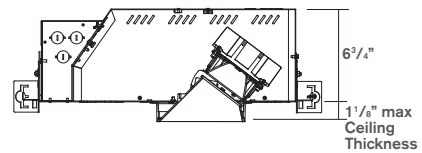
For 15° (3/12) - 30° (7/12) Slope Ceilings

New Construction - NC
Chicago Plenum - NCCP



For 30° (7/12) - 45° (12/12) Slope Ceilings

New Construction - NC
Chicago Plenum - NCCP



BeveLED® 2.2 Incline Infinite Color+ - B4RG-FC1

4.5" Round Downlight for Sloped Ceilings

BEVELED 2.2 INCLINE INFINITE COLOR+ SPECIFICATIONS

FIELD REPLACEABLE LED LIGHT ENGINE

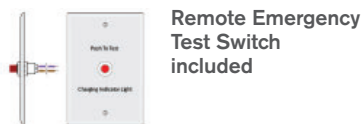
is serviceable through the aperture without tools or with a Philips screwdriver. All USAI Lighting light engines feature industry-leading color consistency.

FIELD REPLACEABLE INTEGRAL DRIVER

Solid state electronic constant current DMX512 driver with a high power factor provided standard. Works with universal voltages 120V-277V. All integral dimming drivers are located within the fixture housing and are serviceable from below the ceiling through the aperture. Driver complies with IEEE C62.41 surge protection. Specify D23X1 for 8-bit communication controls; specify D23X2 for 16-bit communication controls. All driver options require remote device management (RDM) communication protocol for addressing.

INTEGRAL EMERGENCY BATTERY

IOTA emergency battery provides backup power for 90 minutes. NC EM fixtures are provided with an integral emergency battery which can be serviced through the aperture from below the ceiling plane, and a remote test switch, which comes with a 24" lead length for location of the test switch. Remote EM test switch is dry/damp only; select EMW emergency option for a wet location-rated EM test switch. In emergency mode Infinite Color+ uses the white channel only at ~25% power. Fixtures that have no USAI EM option may be connected to an inverter (by others) for emergency lighting.



CABLING: Data cables must be run in series between fixtures. Choose your preferred method of connection when specifying. To avoid signal transmission problems, the DMX link terminator dip switch should be used in the last fixture in a series on a given DMX bus. NOTE: Data communication cables and AC power lines must not be run in the same conduit.

• **RJ Cabling Option:** If the RJ cabling option is specified, the remote power supply is provided with a DMX interface board that has RJ45 jacks for data connection with CAT5 cable terminated with RJ45 connectors. A link termination dip switch is provided at the connector board; no separate link termination device is required.



• **WR Cabling Option:** If the WR cabling option is specified, the remote power supply is provided with a DMX interface board with terminal blocks for wires to be manually spliced for data connection. A link termination dip switch is provided at the connector board; no separate link termination device is required. The data cable used must meet the following requirements:



- type: shielded, 2-conductor twisted pair
- maximum capacitance between conductors: 30 pF/ft
- maximum capacitance between conductor and shield: 55 pF/ft
- maximum resistance: 0.02 ohms/ft
- normal impedance: 100-140 ohms
- conductive core: 24 AWG is recommended

If 3-wire data cables are preferred, we suggest a Belden 9841 or equivalent cable which meets the specifications for EIA RS-485 applications. Do not use standard microphone cables: they cannot transmit DMX512 data reliably over long distances.

ADJUSTMENT

Sloped ceiling housings are fitted with an integral bubble leveling device to ensure perfectly level installations and optical alignment. Optical assembly can be tilted and locked in position for ceiling slopes from 3/12 pitch to 12/12 pitch, which are visually indicated on tilt mechanism. Butterfly brackets are imprinted with ceiling thickness indexing allow installers to easily preset housing prior to installation: choose from ceiling thicknesses of 1/2", 5/8", 3/4", 7/8", 1", or 1-1/8".

HOUSING

All BeveLED 2.2 fixtures are field-flexible which allows for field changes from trimless or millwork to trimmed with a simple components change with parts from USAI. Housings are fabricated of 20 ga. steel construction with thru wire J-box, 4 in 4 out at min. 90°C, #12 AWG thru branch circuit wiring.

MOUNTING

B4RGF overlap flange fixtures are designed for use in sheetrock, acoustical ceiling tile, and many other ceiling materials. B4RGL trimless fixtures are provided with a spackle collar and are designed for use in sheetrock/mud-in ceiling applications. B4RGM millwork fixtures are provided with a millwork collar and are designed for use in wood/millwork and stone construction applications. Butterfly brackets and adjustable channel bars extendible from 16" to 24" centers with integral nails are provided for attachment to building structure.

FIXTURE WEIGHT

NC and NCCP housings weigh 16 lbs. NC housing with EM weighs 24.5 lbs.

BeveLED® 2.2 Incline Infinite Color+ - B4RG-FC1

4.5" Round Downlight for Sloped Ceilings

BEVELED 2.2 INCLINE INFINITE COLOR+ SPECIFICATIONS

WARRANTY

Based on IESNA LM80-2008, BeveLED has a 50,000 hour rated life at 70% lumen maintenance (L70). USAI Lighting Warranty covers replacement parts for 5 years from date of shipment. Ambient temperatures at fixture location should not exceed 40°C during normal operation.

CEILING CUT OUT

B4RGF Trimmed Overlap Flange: 6-5/8" Ø

B4RGL Trimless Spackle Frame: 7-1/8" Ø

B4RGM Millwork Knife Edge: 6-7/16" Ø

LISTINGS

Dry/Damp/Wet location. Remote EM test switch is dry/damp only. Select EMW option for wet location remote test switch. UL2043 rated for use in air handling plenums. NRTL/CSA-US tested to UL standards. IBEW union made.



NOTES

- Not for use in corrosive environment
- Use of pressure washer voids warranty

PHOTOMETRICS

Consult factory or website for IES files. Tested in accordance with IESNA LM79.

USAI LIGHTING COLLABORATORY

13 Crosby Street
New York, NY 10013
845-234-4090
showroom@usailighting.com

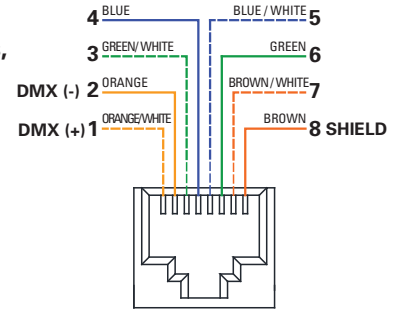
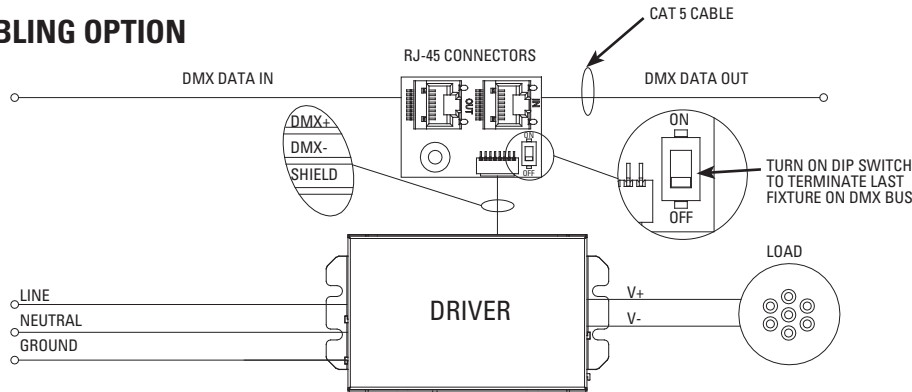
USAI LIGHTING HEADQUARTERS

1126 River Road
New Windsor, NY 12553
T: 845-565-8500
info@usailighting.com

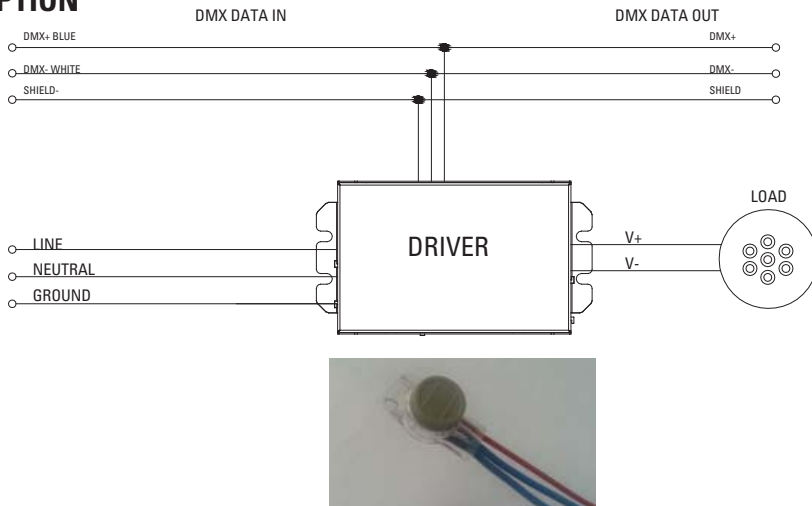
DMX1M: EldoLED DMX dimming with manual addressing, 8-bit (Dims down to 0%)
DMX2M: EldoLED DMX dimming with manual addressing, 16-bit (Dims down to 0%)

Choose from **WR** (splice connection), **RJ** (RJ45 jacks) and **XL** (XLR5 connectors) cabling options, and refer to corresponding wiring diagram below:

RJ CABLING OPTION



WR OPTION



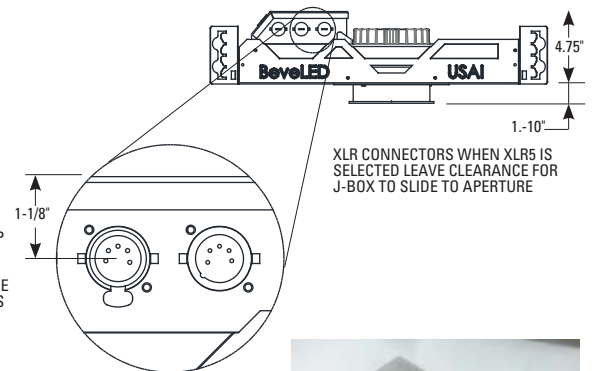
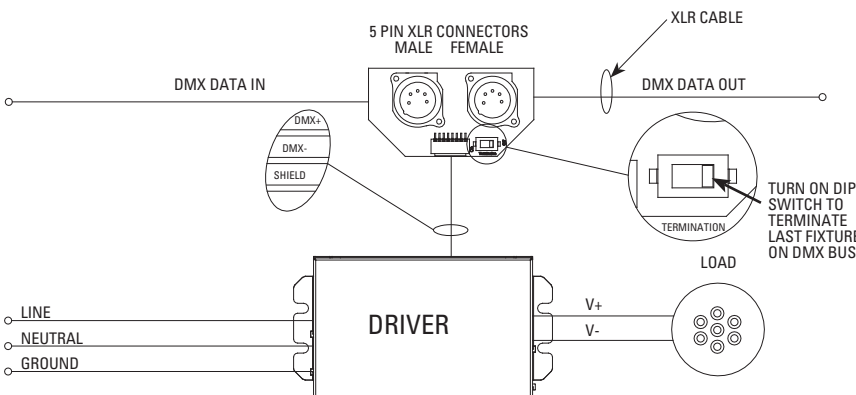
• **WR Cabling Option:** no interface board is supplied; cables must be spliced inside the junction box for connection. The data cable used must meet the following requirements:

- type: shielded, 2-conductor twisted pair
- maximum capacitance between conductors: 30 pF/ft
- maximum capacitance between conductor and shield: 55 pF/ft
- maximum resistance: 0.02 ohms/ft
- normal impedance: 100-140 ohms
- conductive core: 24 AWG is recommended

If 3-wire data cables are preferred, we suggest a Belden 9841 or equivalent cable which meets the specifications for EIA RS-485 applications. Do not use standard microphone cables: they cannot transmit DMX512 data reliably over long distances. **NOTE:** DMX link termination device (by others) should be used on last fixture in line on a circuit to avoid signal loss.

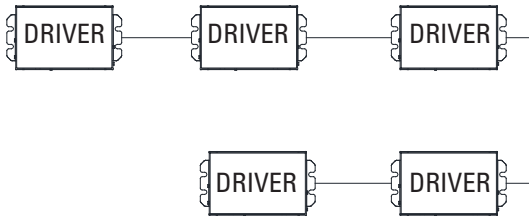
XL CABLING OPTION

NOTE: This cabling option requires above ceiling access.

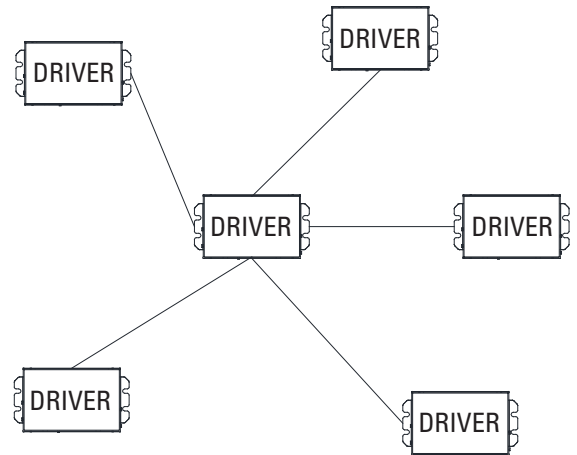


DMX MUST BE DAISY CHAINED IN SINGLE LINE

CORRECT !



INCORRECT !



NOTES FOR DRIVERS:

1. DMX signal cable must NOT be run in same conduit as high voltage AC power lines.
2. Fixtures must be daisy chained in one serial line using Data in and Data out
3. Maximum of 32 DMX devices on a single DMX bus
4. Maximum of 1600 ft serial communication link distance
5. To avoid signal loss, DMX signal terminator should be used on last fixture in line. For RJ and XL cabling options, this is provided through a dip-switch on the connector board. For WR cabling options, this device (120 ohm resistor) is provided by others.
6. For best results when using WR cabling option use communication data splices.
7. Default state for fixtures off. Luminaire will not light until DMX signal is received.