

BeveLED® 2.2 Complete 4.5" Square Wall Wash - B4SW

Universal and Field Convertible - Trim | Trimless | Millwork

Trimmed - B4SWF



Trimless - B4SWL



Millwork - B4SWM



Trimless Acoustical Tile - B4SWP



usailighting.com/beveled

To specify Trimless Acoustical Lighting visit usailighting.com/B4SWP

FEATURES

- Field Flexibility between trimmed, trimless and millwork
- Dry/damp/wet location rated for bathrooms and showers, including trimless and millwork
- 1% dimming standard + more dimming options
- Clear overspray protector for installation convenience
- Full family platform
- Iconic beveled look

COMPANION FAMILY PRODUCTS



Deep Regress - B4SC
usailighting.com/B4SC

Downlight - B4SD
usailighting.com/B4SD

Adjustable - B4SA
usailighting.com/B4SA

WALL WASH PERFORMANCE DATA

LED COLOR CHOICES

DELIVERED* PERFORMANCE:	Classic White						Warm Glow Dimming		Color Select	
	9W	12W	16W	24W	33W	36W	16W	32W	16W	32W
Source Lumens:	1150	1300	1725	2400	3025	4150	1275	2150	1250	2075
Lumens Per Watt: W1 Optic	60	50	52	48	44	86	34	31	49	39
Delivered Lumens: W1 Optic	550	600	825	1150	1450	2975	550	925	700	1175
Lumens Per Watt: W2 Optic	74	63	63	58	52	N/A	N/A	N/A	N/A	N/A
Delivered Lumens: W2 Optic	675	750	1000	1400	1750	N/A	N/A	N/A	N/A	N/A
EM Mode Output:	375 Delivered Lumens (nominal)						300 Delivered Lumens		300 Delivered Lumens	

*Based on 3000K, 80+ CRI. Performance varies for each specific beamspread and color temperature. See IES files for exact values at usailighting.com.

CORRELATED COLOR TEMPERATURE MULTIPLIER

CORRELATED COLOR TEMPERATURE MULTIPLIER	Classic White								Warm Glow Dimming				Color Select											
	2700K		3000K		3500K		4000K		2700K		3000K		2200K		2700K		3500K		4000K		5000K		6000K	
Color Rendering Index:	80+	90+	80+	90+	80+	90+	80+	90+	80+	90+	80+	90+	80+	80+	80+	80+	80+	80+	80+	80+	80+	80+	80+	80+
Multiplier for Lumen Output:	0.94	0.78	1.00	0.78	1.00	1.00	1.06	1.06	0.94	0.74	1.00	0.80	0.87	0.96	1.04	1.09	1.13	1.18						

THE COMPLETE BEVELED FAMILY PLATFORM

More Ceiling Applications

More Sizes and Shapes

Armstrong® Ceiling Solutions Compatible



Sloped Ceiling

BeveLED Block

Cylinders

BeveLED Micro

BeveLED Mini

BeveLED 5.0

Trimless Acoustical

Connect TechZone

BeveLED Connect

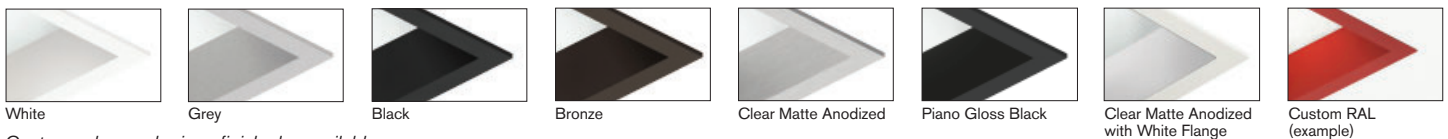
BeveLED® 2.2 Complete

4.5" Square Wall Wash - B4SW with Integral Driver

Specify fixture part number. (All boxes must be filled in to correctly order)

B4SW_																
BeveLED Trim Style	Wattage Options	LED Color Options	Beam Options	Wall Wash Lens	Bevel Trim Finish Options	*Flange/Millwork Collar Finish	Natorium Corrosion Protection (optional)	Housing Options	Voltage Options <small>Select one</small>	Dimming Driver Options	Accessories (Optional)*					
F Trimmed with Flange (use with all materials) L Trimless Spackle-in (use with sheetrock and plaster only) M Millwork Knife-Edge (use with wood and stone)	Classic White Light				WH White	WH White	NT Natorium triple-coat Corrosion resistant (available with "F" flanged trims and painted finishes only) * Leave blank for non Natorium trims	FT Flat Housing New Construction (1, 2, 3, 9, 11) FTIC Flat Housing IC-Rated (up to 16W maximum) (1, 2, 3, 9, 11) FTCP Flat Housing Chicago Plenum (1, 2, 3, 9, 11) NCSM New Construction Narrow Width (1, 2, 3, 9) NC New Construction NCCP Chicago Plenum (11) NCIC Insulation Contact Rated / Airtight (1, 11)	UNV 120V-277V	For use with Universal Voltage 120V - 277V <div style="border: 1px solid black; padding: 2px;"> <i>No Additional Charge</i> D6E EldoLED 0-10V, 1% (provided standard) D6F EldoLED 0-10V, 1% D4A Lutron ECO, 0.1% (1, 2, 3, 5, 6) D4H Lutron H ECO, 1% Fade (2, 3, 4) D4P Lutron ECO, 1% (1, 5, 6) D6A EldoLED 0-10V, 0.1% D6B EldoLED 0-10V, 0.1% D7 EldoLED DALI, 0.1% D28 Lutron LED DMX, 0.1% (7) </div>	CB27 27" C-Channel Bars CB32 32" C-Channel Bars CB52 52" C-Channel Bars EM Emergency Battery with Remote dry/damp only test switch (10) EMW Emergency Battery with Remote dry/damp/wet-rated test switch (10) * Residential grade nailer bars provided standard					
	09C3 9W LED 12C3 12W LED 16C3 16W LED 24C3 24W LED 33C3 33W LED 36E1 36W LED	27KS 2700K, 80+ CRI 27KH 2700K, 90+ CRI 30KS 3000K, 80+ CRI 30KH 3000K, 90+ CRI 35KS 3500K, 80+ CRI 35KH 3500K, 90+ CRI 40KS 4000K, 80+ CRI 40KH 4000K, 90+ CRI	W1 Tilted Wall Wash Optic (7, 8) W2 Horizontal Wall Wash Optic (1)	D1 Diffusion Glass (7, 8) D2 Diffusion Glass (1)	SC Conduit Silver GR Grey BL Black BZ Bronze PR Primer Finish QW Antimicrobial Paint, White AC Clear Matte Anodized	SC Conduit Silver GR Grey BL Black BZ Bronze PR Primer Finish QW Antimicrobial Paint, White AC Clear Matte Anodized						WH White BL Black GR Grey BZ Bronze				
	Warm Glow Dimming				W1 Tilted Wall Wash Optic (7, 8)	D1 Diffusion Glass (7, 8)						WH White BL Black GR Grey BZ Bronze	120V	For use with 120V only <div style="border: 1px solid black; padding: 2px;"> <i>No Additional Charge</i> D19 Phase 2-wire, 1% (1, 2, 3, 4, 5) D3 Lutron 2-wire, 1% </div>	347V	For use with 347V only D15 0-10V dim, 1% 347V only (2, 3)
	16WG2 16W LED 32WG2 32W LED	2722KS 2700K-2200K, 80+ CRI 2722KH 2700K-2200K, 90+ CRI 3022KS 3000K-2200K, 80+ CRI 3022KH 3000K-2200K, 90+ CRI	W1 Tilted Wall Wash Optic (7, 8)	D1 Diffusion Glass (7, 8)	AB Piano Gloss Black AB Piano Gloss Black WH White GR Grey BL Black BZ Bronze	AB Piano Gloss Black WH White GR Grey BL Black BZ Bronze						Notes: 1 Not available with 36E1LED 2 Not available for Warm Glow 3 Not available for Color Select 4 Not available with 9W 5 Not available with 33W 6 Use only up to 16W and lower only	7 Not available with FT, FTIC or FTCP housings 8 Not available with NCSM housing 9 W2 optic only. Not available with W1 optic 10 Not available with 347V. NCSM requires above ceiling access 11 EM and EMW options not available.			
	Color Select Tunable White				W1 Tilted Wall Wash Optic (7, 8)	D1 Diffusion Glass (7, 8)						GR Grey BL Black BZ Bronze	347V	For use with 347V only D15 0-10V dim, 1% 347V only (2, 3)	RAL Custom Color Specify RAL # RAL Custom Color Specify RAL # *Leave blank for Trimless	RAL Custom Color Specify RAL # RAL Custom Color Specify RAL # *Leave blank for Trimless

TRIM FINISH OPTIONS



Custom colors and primer finish also available

BeveLED® 2.2 Complete

4.5" Square Wall Wash - B4SW with Remote Driver

1. Specify fixture part number. (All boxes must be filled in to correctly order)

B4SW									RM	
BeveLED Trim Style	Wattage Options	LED Color Options	Beam Options	Wall Wash Lens	Bevel Trim Finish Options	*Flange/Millwork Collar Finish	Natatorium Corrosion Protection (optional)	Housing Options	Remote Dimming Driver	Accessories (Optional)
F Trimmed with Flange (use with all materials) L Trimless Spackle-in (use with sheetrock and plaster only) M Millwork Knife-Edge (use with wood and stone)	Classic White Light		W1 Tilted Wall Wash Optic (6, 7) W2 Horizontal Wall Wash Optic (1)	D1 Diffusion Glass (6, 7) D2 Diffusion Glass (1)	WH White	WH White	NT Natatorium triple-coat Corrosion resistant (available with *F* flanged trims and painted finishes only)	FT Flat Housing New Construction (1, 5, 8) FTIC Flat Housing IC-Rated (up to 16W maximum) (1, 5, 8) FTCP Flat Housing Chicago Plenum (1, 5, 8) NCSM New Construction Narrow Width (1, 5, 8) NC New Construction NCCP Chicago Plenum NCIC Insulation Contact Rated / Airtight (1)	RM Remote Dimming Driver, specify remote power supply in table below	CB27 27" C-Channel Bars CB32 32" C-Channel Bars CB52 52" C-Channel Bars * Residential grade nailer bars provided standard
	09C3 9W LED 12C3 12W LED 16C3 16W LED 24C3 24W LED 33C3 33W LED 36E1 36W LED	27KS 2700K, 80+ CRI 27KH 2700K, 90+ CRI 30KS 3000K, 80+ CRI 30KH 3000K, 90+ CRI 35KS 3500K, 80+ CRI 35KH 3500K, 90+ CRI 40KS 4000K, 80+ CRI 40KH 4000K, 90+ CRI			PR Primer Finish QW Antimicrobial Paint, White AC Clear Matte Anodized	SC Conduit Silver GR Grey BL Black BZ Bronze PR Primer Finish QW Antimicrobial Paint, White AC Clear Matte Anodized				
Warm Glow Dimming		16WG2 16W LED 32WG2 32W LED	2722KS 2700K-2200K, 80+ CRI 2722KH 2700K-2200K, 90+ CRI 3022KS 3000K-2200K, 80+ CRI 3022KH 3000K-2200K, 90+ CRI	W1 Tilted Wall Wash Optic (6, 7) D1 Diffusion Glass (6, 7)	AB Piano Gloss Black RAL Custom Color Specify RAL #	AB Piano Gloss Black WH White GR Grey BL Black BZ Bronze RAL Custom Color Specify RAL #	* Leave blank for Trimless	Notes: 1 Not available for 36W 2 Not available for 32W or 33W 3 Not available with 24W 4 Not available for 9W 5 Not available for Warm Glow 6 Not available with FT, FTIC, or FTCP housing 7 Not available with NCSM housing 8 W2 optic only. Not available with W1 optic.		

USAI Power Supply Must Be Specified

2. Specify Remote Power Supply

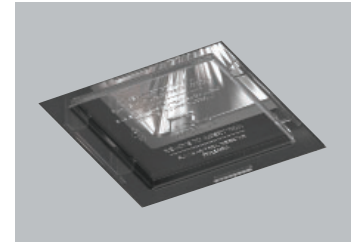
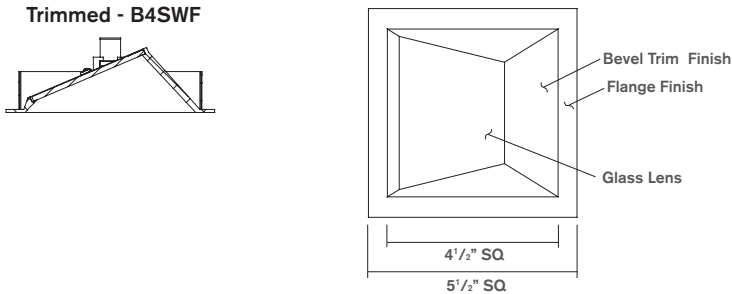
RPC-01				
Remote Power Supply	Wattage Options	Voltage	Remote Dimming Type and Level	Remote Emergency Option
RPC-01 BeveLED 2.2 Remote Power Supply	Classic White		UNV 120V - 277V	EM5 EM battery requires remote enclosure by others, minimum size 11" L x 6.75" W x 3.25" H Notes: 1 Not available for 36W 2 Not available for 32W or 33W 3 Not available with 24W 4 Not available for 9W 5 Not available for Warm Glow
	09C3 9W LED 12C3 12W LED 16C3 16W LED 24C3 24W LED 33C3 33W LED 36E1 36W LED	2722KS 2700K-2200K, 80+ CRI 2722KH 2700K-2200K, 90+ CRI 3022KS 3000K-2200K, 80+ CRI 3022KH 3000K-2200K, 90+ CRI		
Warm Glow		120V 120V Only	D4A Lutron ECO, 0.1% (1, 2, 3, 5) D4H Lutron H ECO, 1% Fade (4, 5) D4P Lutron ECO, 1% (1, 2, 3) D6A EldoLED 0-10V, 0.1% D6B EldoLED 0-10V, 0.1% D6E EldoLED 0-10V, 1% D6F EldoLED 0-10V, 1% D7 EldoLED DALI, 0.1% D28 EdloLED DMX, 0.1% D3 Lutron 2-wire, 1% D19 Hatch Phase 2-wire, 1% (1, 2, 4, 5)	
16WG2 16W LED 32WG2 32W LED				

NOTE:
Remote Power Supplies Require Enclosures by Others. See Page 7 for Details.

BeveLED® 2.2 Complete 4.5" Square Wall Wash - B4SW

Trimmed - B4SWF

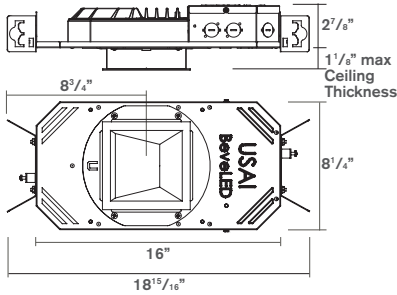
TRIM DETAILS



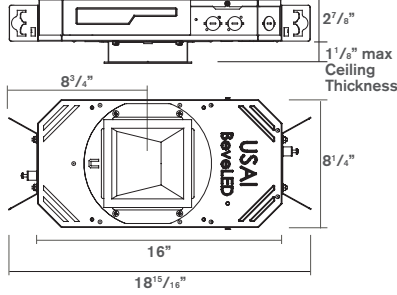
Clear acrylic overspray protector provided standard with every housing to keep out dust and contaminants during construction. Allows for use as work light.

HOUSING OPTIONS

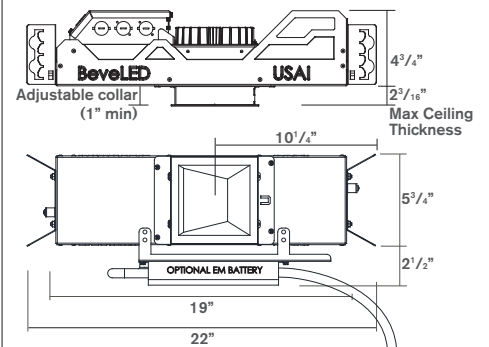
Flat Housing - FT Flat Housing, Chicago Plenum - FTCP



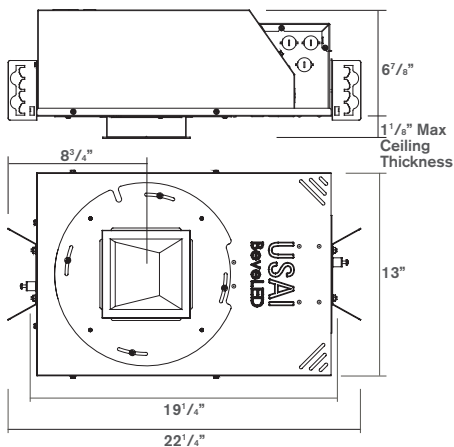
Flat Housing, IC-Rated - FTIC (up to 16W maximum)



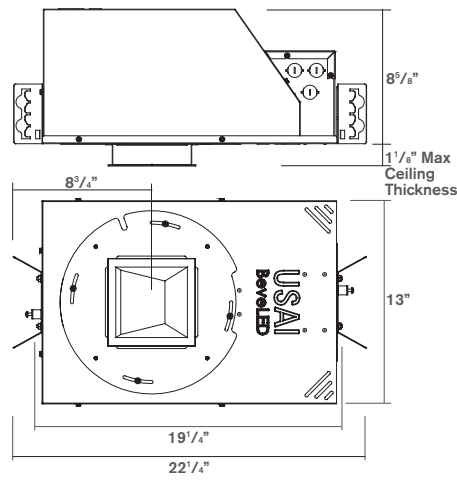
New Construction Narrow Width - NCSM NCSM with Emergency Battery*



New Construction - NC Insulation-Contact Rated (24W Max) - NCIC Chicago Plenum Rated (24W Max) - NCCP NC with Emergency Battery



Insulation-Contact Rated (32W-33W) - NCIC Chicago Plenum Rated (32W-36W) - NCCP

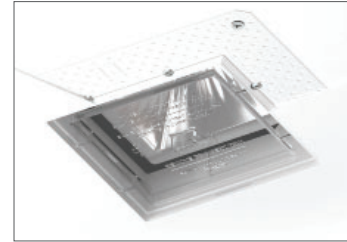
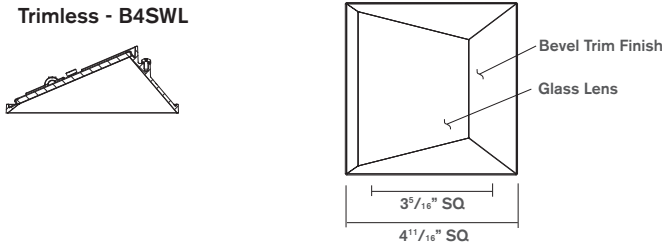


BeveLED® 2.2 Complete 4.5" Square Wall Wash - B4SW

Trimless - B4SWL

TRIM DETAILS

Trimless - B4SWL

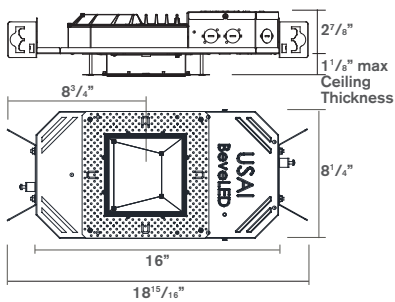


Clear acrylic overspray protector provided standard with every housing to keep out dust and contaminants during construction. Allows for use as work light.

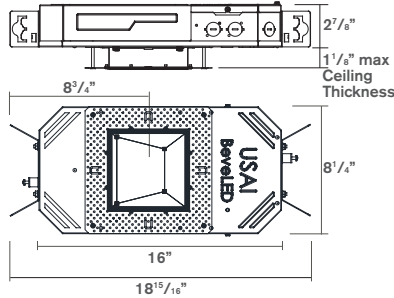
HOUSING OPTIONS

Flat Housing - FT

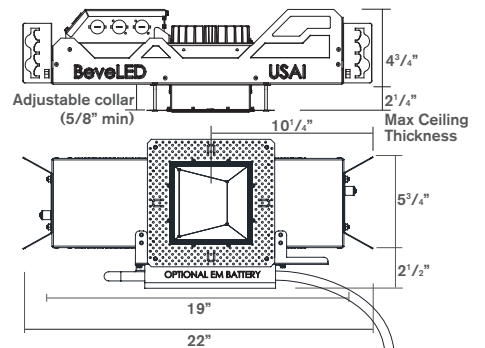
Flat Housing, Chicago Plenum - FTCP



Flat Housing, IC-Rated - FTIC
(up to 16W maximum)

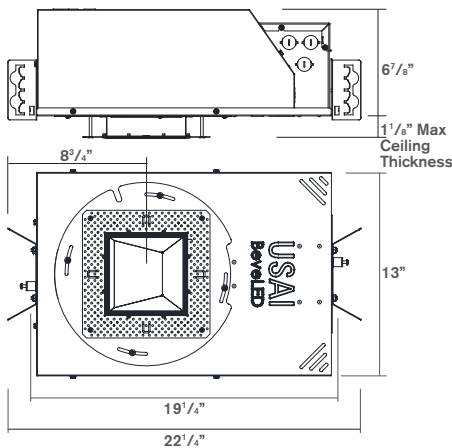


New Construction Narrow Width - NCSM
NCSM with Emergency Battery*

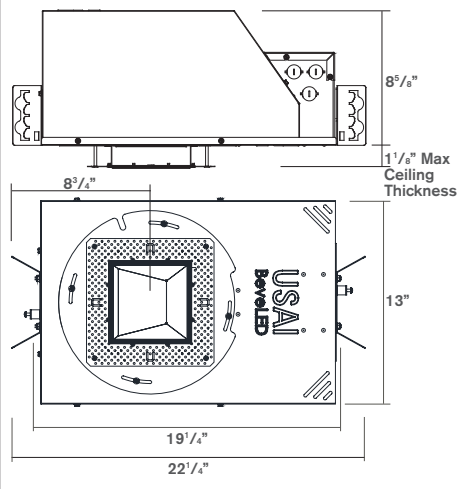


*Above ceiling access required for EM Battery pack.

New Construction - NC
Insulation-Contact Rated (24W Max) - NCIC
Chicago Plenum Rated (24W Max) - NCCP
NC with Emergency Battery



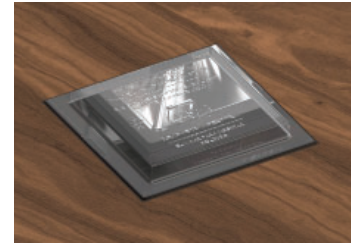
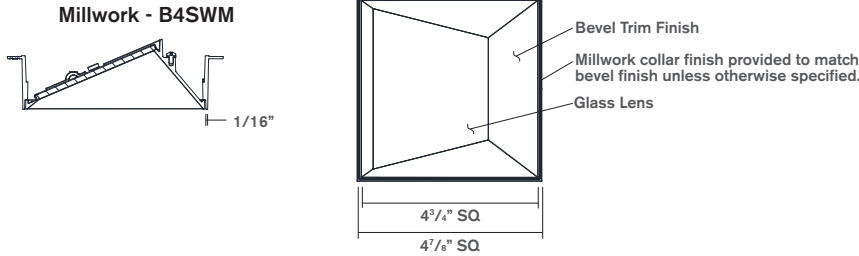
Insulation-Contact Rated (32W-33W) - NCIC
Chicago Plenum Rated (32W-36W) - NCCP



BeveLED® 2.2 Complete 4.5" Square Wall Wash - B4SW

Millwork - B4SWM

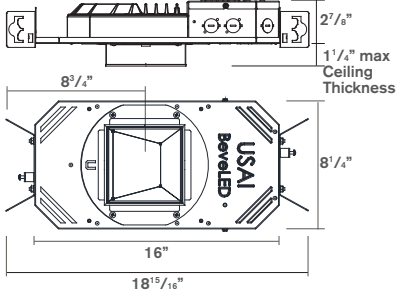
TRIM DETAILS



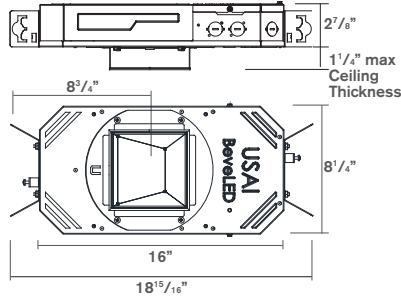
Clear acrylic overspray protector provided standard with every housing to keep out dust and contaminants during construction. Allows for use as work light.

HOUSING OPTIONS

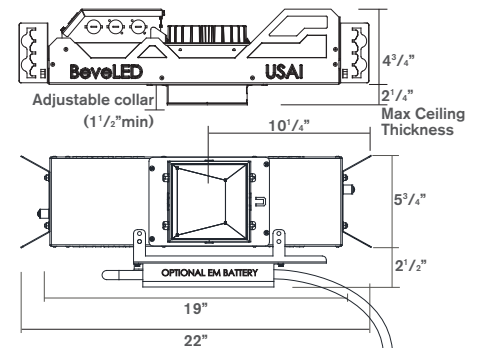
Flat Housing - FT Flat Housing, Chicago Plenum - FTCP



Flat Housing, IC-Rated - FTIC (up to 16W maximum)

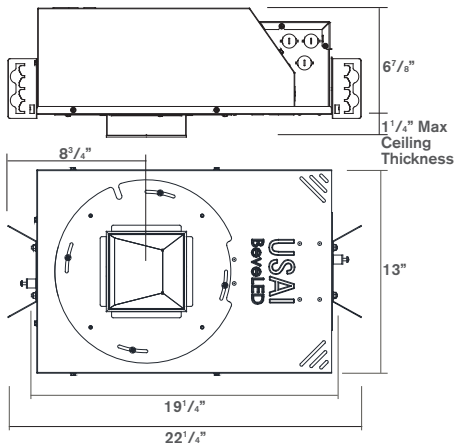


New Construction Narrow Width - NCSM NCSM with Emergency Battery*

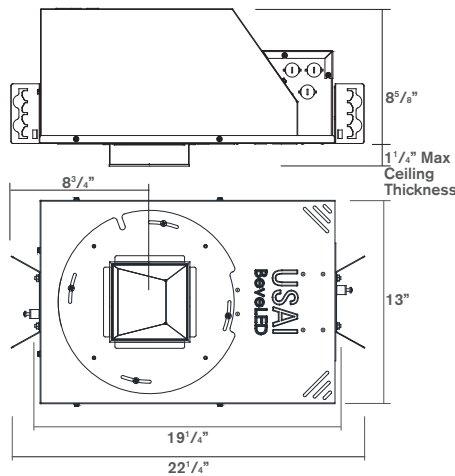


*Above ceiling access required for EM Battery pack.

New Construction - NC Insulation-Contact Rated (24W Max) - NCIC Chicago Plenum Rated (24W Max) - NCCP NC with Emergency Battery



Insulation-Contact Rated (32W-33W) - NCIC Chicago Plenum Rated (32W-36W) - NCCP



BeveLED® 2.2 Complete 4.5" Square Wall Wash - B4SW



BEVELED 2.2 SPECIFICATIONS

FIELD REPLACEABLE LED LIGHT ENGINE

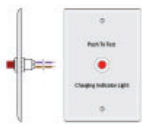
is serviceable through the aperture without tools or with a Philips screwdriver. All USAI Lighting light engines feature industry-leading color consistency.

FIELD REPLACEABLE DRIVER

Unless otherwise specified, a 0-10V, 100%-1% solid state electronic constant current integral D6E dimming driver with a high power factor is provided standard and sources 2mA. All integral dimming drivers are located within the fixture housing and are serviceable from below the ceiling through the aperture. Some on-time delay may be experienced depending on control system used. All dimming drivers comply with IEEE C62.41 surge protection.

INTEGRAL EMERGENCY BATTERY

IOTA emergency battery provides backup power for 90 minutes and is provided with a remote test switch, which comes with a 24" lead length for location of the test switch. Remote EM test switch is dry/damp only; select EMW emergency option for a wet location-rated EM test switch. EM battery is located inside NC housing and can be serviced through the aperture from below the ceiling plane; NCSM housings require above ceiling access for service of the EM pack. Fixtures that have no USAI EM option may be connected to an inverter (by others) for emergency lighting. Battery is not available with 347V.



Remote Test Switch is provided with Emergency Battery option.

Above ceiling access is required with EM options and NCSM housing.

EM = dry/damp rated remote test switch

EMW = dry/damp/wet location, gasketed remote test switch

REMOTE LOCATION DRIVER

If a remote dimming driver is required, specify "RM" in the fixture part number and proceed to the RP table to complete the dimming driver specification. All remote power supplies must be clearly specified in the "RP" table, with one remote power supply required per fixture. Remote power supplies require enclosures by others that meet local codes and must be located in an accessible service panel within 100ft of the light fixture; see table below for coordination of enclosure sizes. All dimming drivers comply with IEEE C62.41 surge protection.

REMOTE LOCATION EMERGENCY

Remote emergency battery IOTA ILB-CP05 provides 5W to one fixture for 90 minutes. Remote power supplies with EM option require an enclosure by others with minimum size of 11"L x 6.75"W x 3.25"H that meets local codes. Emergency battery remote power supplies cannot be located any more than 50 feet from light fixture.

BEVELED 2.2 REMOTE POWER SUPPLY REQUIREMENTS AND WIRING DIAGRAM Minimum Enclosure Size Required (by others)

Remote Power Supply Dimming Option	Wire Gauge Required*	RP Only	RP with EM Option**
RPC-01-09C3	UNV-D4A Lutron ECO, 0.1% (1, 2, 3, 5)	6.25" L x 4" W x 2" H	11" L x 6.75" W x 3.25" H
RPC-01-12C3	UNV-D4H Lutron H ECO, 1% fade (4, 5)		
RPC-01-16C3	UNV-D4P Lutron ECO, 1% (1, 2, 3)		
RPC-01-24C3	UNV-D6A EldoLED 0-10V, 0.1%	18/16	
RPC-01-33C3	UNV-D6B EldoLED 0-10V, 0.1%		
RPC-01-33C3	UNV-D6E EldoLED 0-10V, 1%		
RPC-01-36E1	UNV-D6F EldoLED 0-10V, 1%	9" L x 4" W x 2" H	
RPC-01-16WG2	UNV-D7 EldoLED DALI, 0%		
RPC-01-32WG2	UNV-D28 EldoLED DMX 0.1%		
	120V-D3 Lutron 2-wire phase, 1%	6.25" L x 4" W x 2" H	
	120V-D19 Hatch 2-wire phase, 1% (1,2,4,5)	5.75" L X 2.625" W X 2" H	

1 Not available for 36W

2 Not available for 32W or 33W

3 Not available with 24W

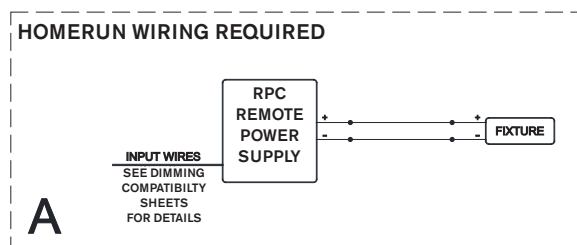
4 Not available for 9W

5 Not available for Warm Glow

* Wire gauge 14/12 = Maximum distance from light fixture to remote power supply is 100' using 12 gauge wire, 50' using 14 gauge wire.

* Wire gauge 18/16 = Maximum distance from light fixture to remote power supply is 100' using 16 gauge wire, 50' using 18 gauge wire.

** Emergency battery remote power supplies cannot be located any more than 50 feet from light fixture.



BeveLED® 2.2 Complete 4.5" Square Wall Wash - B4SW

BEVELED 2.2 SPECIFICATIONS

HOUSING

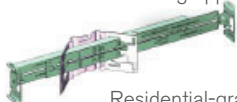
All BeveLED 2.2 fixtures are field-flexible which allow for field changes from trimless or millwork to trimmed with a simple components change with parts from USAI. All-Ways Square® (covered by US Pat. No: US 7,832,889) feature available with NC, NCIC and NCCP housings allows alignment of square aperture (up to 20° rotation) after housing installation and prior to finish ceiling installation. Housings are fabricated of 20 ga. steel construction with thru wire J-box, 4 in 4 out at min. 90°C, #12 AWG thru branch circuit wiring, except for NCSM which is fabricated of 18 ga. steel. FTIC and NCIC housing for use with 9W, 12W, and 16W light engines only are rated for direct contact with spray foam insulation of R-42 or less. FTIC housing is IC-rated up to 16W maximum, NCIC housing is IC-rated up to 33W maximum.

ADJUSTMENT

362° horizontal locking in 90° increments.

MOUNTING

B4SWF overlap flange fixtures are designed for use in sheetrock, acoustical ceiling tile, and many other ceiling materials. B4SWL trimless fixtures are provided with a spackle collar and are designed for use in sheetrock/mud-in ceiling applications. B4SWM millwork fixtures are provided with a millwork collar in finish to match trim finish specified and are designed for use in wood/millwork, stone and tile construction applications. Butterfly brackets and residential grade adjustable nailer bars extendible from 14" to 24" centers with integral nails are provided standard for attachment to building structure. C-channel bars are optionally available for acoustical ceiling applications.



Residential-grade nailer bars provided standard.

FIXTURE WEIGHT

FT, FTIC, and FTCP housings weigh 8 lbs. NC, NCIC, and NCCP housings weigh 16 lbs. NCSM housing weighs 10 lbs., NCSM with EM weighs 16.5 lbs. and NC housing with EM weighs 24.5 lbs.

WARRANTY

Based on IESNA LM80-2008, BeveLED has a 50,000 hour rated life at 70% lumen maintenance (L70). USAI Lighting Warranty covers replacement parts for 5 years from date of shipment. Ambient temperatures at fixture location should not exceed 40°C during normal operation.

CEILING CUT OUT

B4SWF Trimmed with Overlap Flange: 5-1/16" x 5-1/16"

B4SWL Trimless Spackle-in: 5-1/2" x 5-1/2"

B4SWM Millwork: Knife-edge 4-15/16" x 4-15/16"

TRIM FINISH

BeveLED 2.2 trims are available in a wide range of finishes. USAI's standard powdercoat painted trim finishes are white, conduit silver, gray, black, and bronze. A clear matte anodized bevel and piano gloss black electrocoated bevel are also available with matching or contrast-painted flange finish options. Anti-microbial painted finish available in white. Natatorium finishes are triple-coated for corrosion resistance; these coatings are offered in painted finishes only and are not available for trimless or millwork. All trim finishes are dry/damp/wet location rated, with the exception of the anodized (-AC-) and electrocoated (-AB-) bevel finishes, which are dry/damp only. Please contact the USAI factory with a RAL number specification for custom color trims, or specify the field-paintable primer finish option.

LISTINGS

Dry/Damp/Wet location. AC and AB trim finishes are dry/damp only. Remote EM test switch is dry/damp only. Select EMW option for wet location remote test switch. UL2043 rated for use in air handling plenums. NRTL/CSA-US tested to UL standards. IBEW union made.



NOTES

- Use of pressure washer voids warranty

PHOTOMETRICS

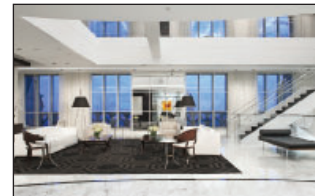
Consult factory or website for IES files. Tested in accordance with IESNA LM79.

BeveLED® 2.2 Complete 4.5" Square Wall Wash - B4SW

LED COLOR OPTIONS

Classic White Light

Our proprietary LED light engines achieve a 2-step MacAdam ellipse along the black body locus, resulting in reliable and uniform color from fixture to fixture. You'll see the results in consistently beautiful light throughout your space, whichever USAI LED product you specify.



Warm Glow® Dimming

Warm Glow Dimming provides warmth and glow once possible only in dimmed incandescent sources. Utilizing our patented proprietary algorithm and circuitry, Warm Glow Dimming technologies precisely mimic the black body curve of a standard 100W A19 lamp by gradually transitioning from 2700K or 3000K down to 2200K. The result is virtually indistinguishable from an incandescent light source.



Color Select® Tunable White

Color Select represents the next innovation in color temperature control for advanced LED recessed downlighting. Color Select® products allow users to adjust color temperature from 6000K down to 2200K while independently adjusting intensity to achieve ultimate control over the quality of light in a space with a single fixture type. Color Select interfaces with standard dimming and control systems.



DIMMING DRIVER WIRING SCHEMES:

NOTES:

Wiring diagrams are examples of typical installations intended to illustrate the number of wires that must be run to fixture. These diagrams are not intended to specify all equipment necessary for a given dimming circuit. Refer to specific dimmer manufacturer's documentation for details.

**IMPORTANT SAFETY INSTRUCTIONS
- SAVE THESE INSTRUCTIONS**

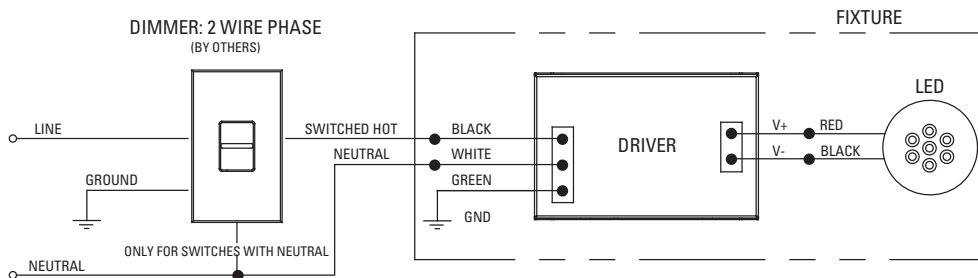
1. Keep these instructions in a safe place for future reference.
2. Only qualified electricians in accordance to local codes should install these fixtures.
3. De-energize the electrical circuit at the circuit breaker prior to installation process or servicing.
4. Make sure all connections are in accordance with the National Electrical Code and any local regulations.
5. Cap any wires not used separately (not together).

D3 / DIML3 LED: Lutron Hi-Lume A-Series 2 Wire Fwd Phase (with neutral) / LED Dimming Driver Wiring (Dims down to 1%) 120V

D3 / DIML3 Dimmer Compatibility Chart					
Manufacturer	Product	Part Number	Dimmed Light Output Range	Qty Fixtures Per Dimmer*	
				Fixture Wattage	
120V Only					
				39W and Less	40W - 80W
ETC	Sensor+ Cabinet	ELV10	100% - 1%	1 - 26	1 - 13
ETC	Unison DRd Cabinet	ELV10	100% - 1%	1 - 26	1 - 13
Lutron	Maestro Wireless® 600W dimmer	MRF2-6ND-120-	100% - 1%	1 - 8	1 - 4
Lutron	Maestro Wireless® 1000W dimmer	MRF2-10ND-120-	100% - 1%	1 - 13	1 - 6
Lutron	HomeWorks® QS adaptive dimmer	HQRD-6NA-	100% - 1%	1 - 8	1 - 4
Lutron	HomeWorks® QS 600W dimmer	HQRD-6ND-	100% - 1%	1 - 8	1 - 4
Lutron	HomeWorks® QS 1000 W dimmer	HQRD-10ND-	100% - 1%	1 - 13	1 - 6
Lutron	Caseta Wireless® Pro 1000W dimmer	PD-10NXD-	100% - 1%	1 - 13	1 - 6
Lutron	Stanza® dimmer	SZ-6ND-	100% - 1%	1 - 8	1 - 4
Lutron	RadioRA® 2 adaptive dimmer	RRD-6NA-	100% - 1%	1 - 8	1 - 4
Lutron	RadioRA® 2 1000 W dimmer	RRD-10ND-	100% - 1%	1 - 6	1 - 3
Lutron	myRoom DIN power module	MQSE-4A1-D	100% - 1%	1 - 6	1 - 3
Lutron	HomeWorks® QS wallbox power module	HQRJ-WPM-6D-120-	100% - 1%	1 - 26	1 - 13
Lutron	Homeworks® DIN power module	LQSE-4A1-D	100% - 1%	1 - 6	1 - 3
Lutron	HomeWorks® wallbox power module	HV1-WPM-6D-120	100% - 1%	1 - 26	1 - 13
Lutron	GRAFIK Eye® QS control unit	QSGR-, QSGRJ-	100% - 1%	1 - 26	1 - 13
Lutron	GRAFIK Eye® 3000 control unit	GRX-3100-, GRX-3500-	100% - 1%	1 - 26	1 - 13
Lutron	RPM-4U module	HW-RPM-4U-120, LP-RPM-4U-120	100% - 1%	1 - 26	1 - 13
Lutron	RPM-4A module	HW-RPM-4A-120, LP-RPM-4A-120	100% - 1%	1 - 26	1 - 13
Lutron	GP dimming panels	Various	100% - 1%	1 - 26	1 - 13
Lutron	Ariadni CL 250W dimmer	AYCL-253P-	100%-1%	1 - 8	1 - 4
Lutron	Diva CL 250W dimmer	DVCL-253P-, DVSCCL-253P-	100%-1%	1 - 8	1 - 4
Lutron	Grafik T CL or RF CL dimmer	GT-250M-, GTJ-250M-	100%-1%	1 - 8	1 - 4
Lutron	Nova T CL 250W dimmer	NTCL-250-	100%-1%	1 - 10	1 - 5

* NOTE: Refer to dimmer manufacturer's documentation for installation instructions and circuit details.

**D3 / DIML3
2 WIRE PHASE DIMMING**



DIMMING DRIVER WIRING SCHEMES:

NOTES:

Wiring diagrams are examples of typical installations intended to illustrate the number of wires that must be run to fixture. These diagrams are not intended to specify all equipment necessary for a given dimming circuit. Refer to specific dimmer manufacturer's documentation for details.

**IMPORTANT SAFETY INSTRUCTIONS
- SAVE THESE INSTRUCTIONS**

1. Keep these instructions in a safe place for future reference.
2. Only qualified electricians in accordance to local codes should install these fixtures.
3. De-energize the electrical circuit at the circuit breaker prior to installation process or servicing.
4. Make sure all connections are in accordance with the National Electrical Code and any local regulations.
5. Cap any wires not used separately (not together).

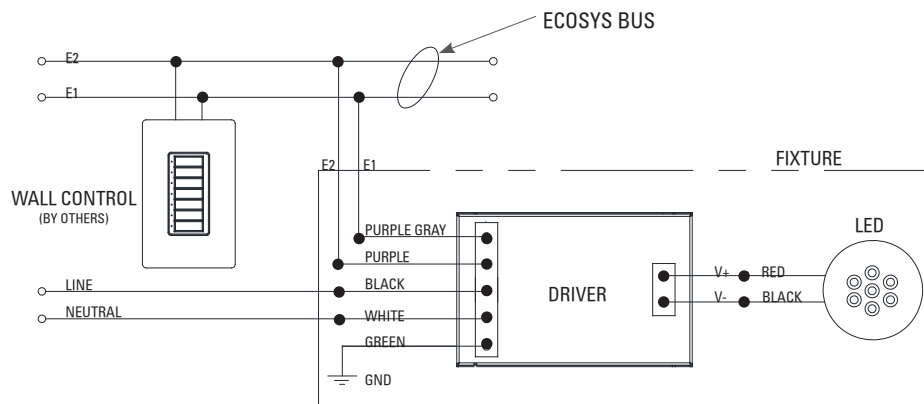
D4A / DIML4A LED: Lutron Hi-Lume Premier EcoSystem LED Driver (Dims down to 0.1%)

D4P / DIML4P LED: Lutron Hi-Lume Premier EcoSystem LED Driver (Dims down to 1%)

D4A / D4P EcoSystem Controls Dimmer Compatibility Chart			
Manufacturer	Product	Part Number	Maximum Quantity Light Fixtures Per Control
120V / 277V			
Lutron	PowPak dimming module	RMJ-ECO32-DV-B	32
		FCJ/FCJS-ECO	3
120V ONLY			
Lutron	Energi Savr Node	QSN-1ECO-S	64
		QSN-2ECO-S	128
	GRAFIK Eye QS/ Homeworks QS control unit	QSGRJ- E, QSGR- E	64
		QP2- 2C	128
	Quantum Hub	QP2- 4C	256
		QP2- 6C	384
		QP2- 8C	512
	HomeWorks QS / myRoom Plus power module	LQSE-2ECO-D	128

* NOTE: Number of fixtures may be higher if wattage is less than maximum values shown. Refer to dimmer manufacturer's documentation for installation instructions and circuit details.

**D4A / DIML4A and D4P / DIML4P
EcoSystem CONTROLS**



DIMMING DRIVER WIRING SCHEMES:

NOTES:

Wiring diagrams are examples of typical installations intended to illustrate the number of wires that must be run to fixture. These diagrams are not intended to specify all equipment necessary for a given dimming circuit. Refer to specific dimmer manufacturer's documentation for details.

IMPORTANT SAFETY INSTRUCTIONS

- SAVE THESE INSTRUCTIONS

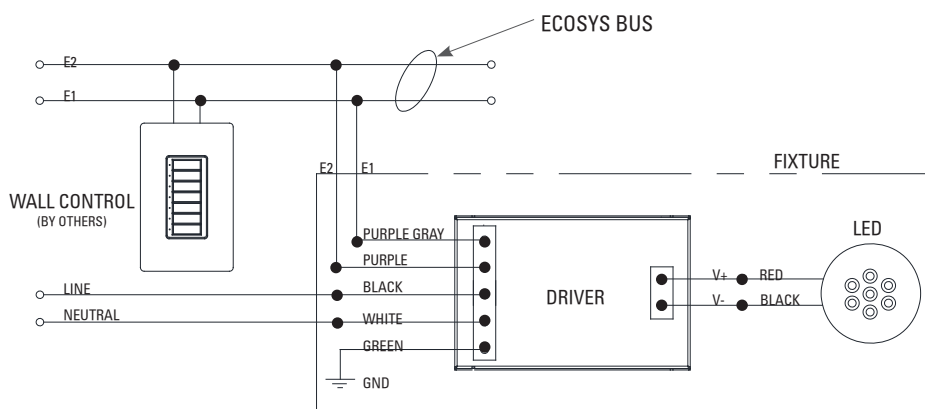
1. Keep these instructions in a safe place for future reference.
2. Only qualified electricians in accordance to local codes should install these fixtures.
3. De-energize the electrical circuit at the circuit breaker prior to installation process or servicing.
4. Make sure all connections are in accordance with the National Electrical Code and any local regulations.
5. Cap any wires not used separately (not together).

D4H / DIML4H LED: Lutron H Series EcoSystem LED Driver with Fade to Black (dims down to 1%)

D4H / DIML4H EcoSystem Dimmer Compatibility Chart					
Manufacturer	Product	Part Number	Dimmed Light Output Range	Qty Fixtures Per Control*	
				Fixture Wattage	
120V / 277V				39W and Less	40W - 80W
Lutron	PowPak dimming module	RMJ-ECO32-DV-B	100%-1%	1-32	1-16
Lutron	Energi Savr Node	QSN-1ECO-S, QSN-2ECO-S	100%-1%	1-64	1-32
Lutron	GRAFIK Eye QS (120V ONLY)	QSGRJ- E, QSGR- E	100%-1%	1-64	1-32
Lutron	Quantum	Various	100%-1%	1-64	1-32

* NOTE: Number of fixtures may be higher if wattage is less than maximum values shown. Refer to dimmer manufacturer's documentation for installation instructions and circuit details.

**D4H / DIML4H
EcoSystem CONTROLS**



IMPORTANT SAFETY INSTRUCTIONS - SAVE THESE INSTRUCTIONS

1. Keep these instructions in a safe place for future reference.
2. Only qualified electricians in accordance to local codes should install these fixtures.
3. De-energize the electrical circuit at the circuit breaker prior to installation process or servicing.
4. Make sure all connections are in accordance with the National Electrical Code and any local regulations.
5. Cap any wires not used separately (not together).

D6A / DIML6A and D6E / DIML6E LED Dimming Compatibility Table

D6A / DIML6A and D6E / DIML6E are linearly programmed dimming drivers for use with the dimming controls listed in the table below.

D6A / DIML6A = EldoLED SOLOdrive 0-10V control dims from 100% to 0.1%

D6E / DIML6E = EldoLED ECOdrive 0-10V control dims from 100% to 1%

D6A / DIML6A and D6E / DIML6E Dimmer Compatibility Chart					
Manufacturer	Product	Part Number	Dimmed Light Output Range		Qty Fixtures Per Dimmer*
			DIML6A	6E	
120V & 277V					
Lutron	Diva	DVTV/NFTV with PP-20	99% - 0.1%	1%	Refer to manufacturer's dimmer load rating for maximum and minimum fixture quantities per dimmer. Enlighted compatible.
Lutron	Nova T	NFTV with PP-20	99% - 0.1%	1%	
Lutron	Energi Savr Node	QSN-4T16-S	100% - 0.1%	1%	
Lutron	GP Dimming Panels	TVM2 Module	99% - 0.1%	1%	
Lutron	Interfaces	GRX-TVI w/ GRX3503	100% - 0.1%	1%	
Sensor Switch	nIO	nIO EZ	100% - 0.1%	1%	
enlighted	Control Unit	CU-3E-1R	100% - 0.1%	1%	

D6B / DIML6B and D6F / DIML6F LED Dimming Compatibility Table

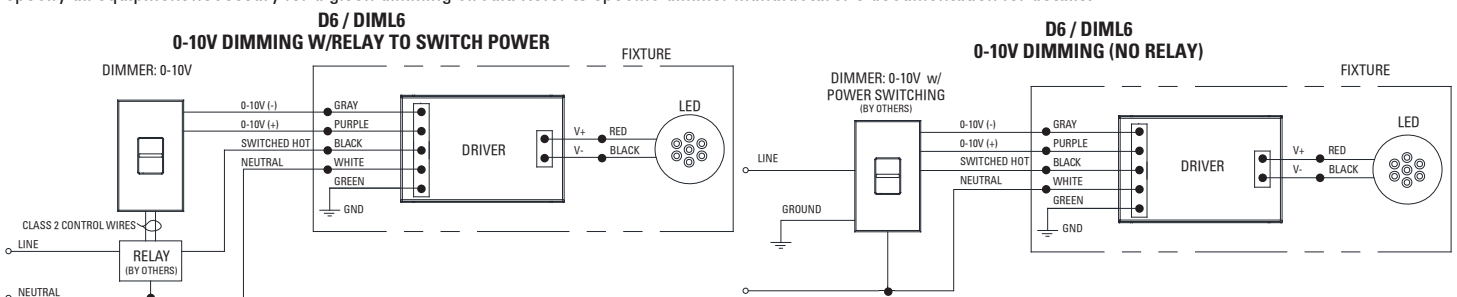
D6B / DIML6B and D6F / DIML6F are logarithmic-programmed dimming drivers for use with the dimming controls listed in the table below.

D6B / DIML6B = EldoLED SOLOdrive 0-10V control dims from 100% to 0.1% D6F / DIML6F = EldoLED ECOdrive 0-10V control dims from 100% to 1%

D6B / DIML6B and D6F / DIML6F Dimmer Compatibility Chart					
Manufacturer	Product	Part Number	Dimmed Light Output Range		Qty Fixtures Per Dimmer*
			DIML6B	6F	
120V & 277V					
Bush-Jaeger	Electronic potentiometer	2112U-101	100% - 0.1%	1%	Refer to manufacturer's dimmer load rating for maximum and minimum fixture quantities per dimmer. Enlighted compatible.
Jung	Electronic potentiometer	240-10	100% - 0.1%	1%	
Leviton	Iluma Tech dimmer	IP710-DLX	100% - 0.1%	1%	
Lightolier (Philips)	Momentum (120V ONLY)	ZP600FAM120	100% - 0.1%	1%	
Merten	Electronic potentiometer	5729	100% - 0.1%	1%	
Pass & Seymour	Titan	CD4FB-W	100% - 0.1%	1%	
Watt Stopper	Miro	DCLV1	100% - 0.1%	1%	
Synergy	Wallbox Dimmers	ISD BC	100% - 0.1%	1%	
ABB	i-bus	SD/S 2.16.1	100% - 0.1%	1%	
Crestron	Modules	GLX-DIMFLV8, GLXP-DIMFLV8	100% - 0.1%	1%	
Crestron	Green Light	GLPAC-DIMFLV4-, GLPAC-DIMFLV8-	100% - 0.1%	1%	
Crestron	Green Light Power Pack	GLPP-DIMFLVEX-PM, GLPP-1DIMFLV2EX-PM, GLPP-1DIMFLV3EX-PM	100% - 0.1%	1%	
Crestron	DIN Rail Analog Output Module	DIN-A08	100% - 0.1%	1%	
Crestron	DIN Rail 0-10V Fluorescent Dimmer	DIN-4DIMFLV4	100% - 0.1%	1%	
Crestron	iLux 0-10V Dimmer Expansion Module	CLS-EXP-DIMFLV	100% - 0.1%	1%	
enlighted	Control Unit	CU-3E-1R	100% - 0.1%	1%	

DIMMING DRIVER WIRING SCHEMES:

NOTES: Wiring diagrams are examples of typical installations intended to illustrate the number of wires that must be run to fixture. These diagrams are not intended to specify all equipment necessary for a given dimming circuit. Refer to specific dimmer manufacturer's documentation for details.



DIMMING DRIVER WIRING SCHEMES:

NOTES:

Wiring diagrams are examples of typical installations intended to illustrate the number of wires that must be run to fixture. These diagrams are not intended to specify all equipment necessary for a given dimming circuit. Refer to specific dimmer manufacturer's documentation for details.

IMPORTANT SAFETY INSTRUCTIONS

- SAVE THESE INSTRUCTIONS

1. Keep these instructions in a safe place for future reference.
2. Only qualified electricians in accordance to local codes should install these fixtures.
3. De-energize the electrical circuit at the circuit breaker prior to installation process or servicing.
4. Make sure all connections are in accordance with the National Electrical Code and any local regulations.
5. Cap any wires not used separately (not together).

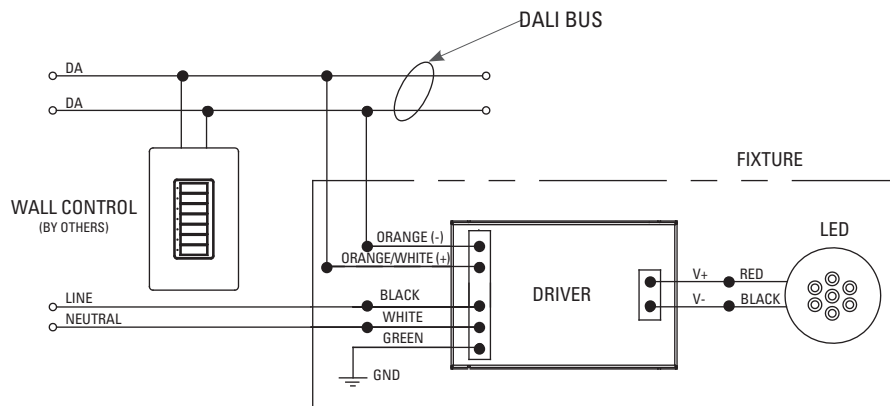
D7 / DIML7 and D7E Dimming Driver Wiring

D7 / DIML7 and D7E are linearly programmed dimming drivers.

D7 / DIML7 = EldoLED SOLOdrive DALI control dims from 100% to 0.1%

D7E = EldoLED ECOdrive DALI control dims from 100% to 1%

**D7 / DIML7 / D7E
DALI CONTROLS**



DIMMING DRIVER WIRING SCHEMES:

NOTES:

Wiring diagrams are examples of typical installations intended to illustrate the number of wires that must be run to fixture. These diagrams are not intended to specify all equipment necessary for a given dimming circuit. Refer to specific dimmer manufacturer's documentation for details.

**IMPORTANT SAFETY INSTRUCTIONS
- SAVE THESE INSTRUCTIONS**

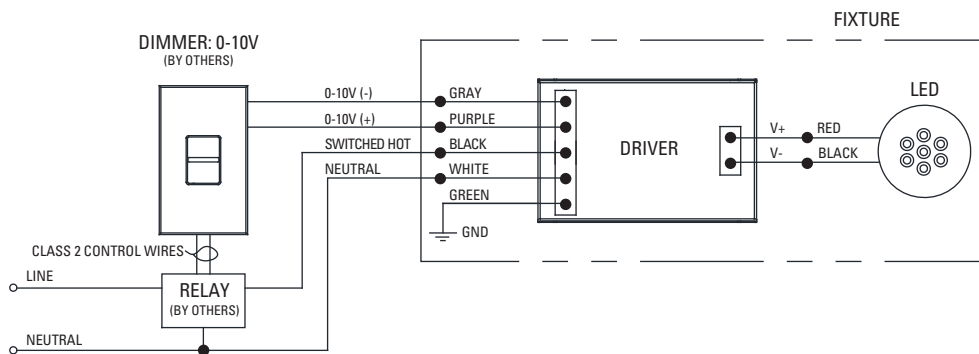
1. Keep these instructions in a safe place for future reference.
2. Only qualified electricians in accordance to local codes should install these fixtures.
3. De-energize the electrical circuit at the circuit breaker prior to installation process or servicing.
4. Make sure all connections are in accordance with the National Electrical Code and any local regulations.
5. Cap any wires not used separately (not together).

D15 / DIML15 LED: 0-10V, 347V Dimming Driver Wiring (Dims down to 1%) 347V Only

D15 / DIML15 Dimmer Compatibility Chart			
Manufacturer	Product	Dimmed Light Output Range	Qty Fixtures Per Dimmer*
347			Use source current per fixture specification sheet to determine number of fixtures per dimmer. Max number of fixtures is limited by dimmer load rating.
Acuity	Synergy ISD-BC	100% - 1%	
Douglas Lighting	WPN-5721, WPN-5822	100% - 1%	
Hubbell	Light Hawk2 LHD-IRS3-N347-xx	100% - 1%	
Leviton	Illumatech IP710-DLZ with 347V relay	100% - 1%	
Leviton	Centura Fluorescent Control System	100% - 1%	
Lutron	Nova NFTV-* dimmer plus 347V relay	100% - 1%	
Lutron	Diva DDTV-* dimmer plus 347V relay	100% - 1%	

* NOTE: Refer to dimmer manufacturer's documentation for installation instructions and circuit details.

**D15 / DIML15
0-10V DIMMING W/RELAY TO SWITCH POWER**



NOTE:
If switched, non-dimming operation is desired, cap off purple and gray wires individually at installation. Do NOT cap purple and gray wires together.

DIMMING DRIVER WIRING SCHEMES:

NOTES:

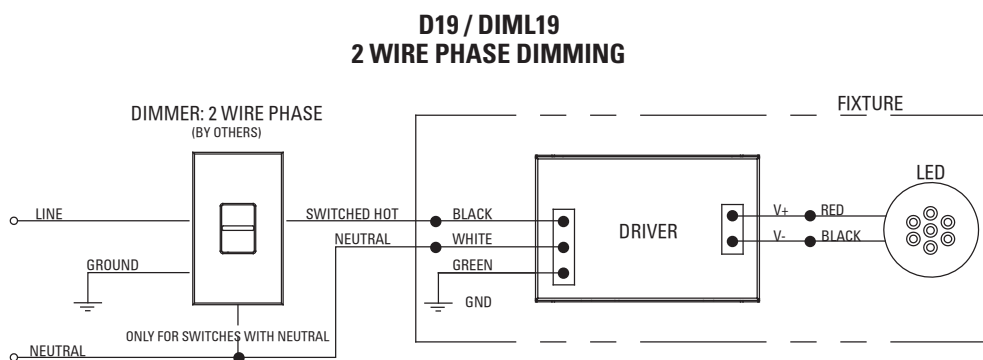
Wiring diagrams are examples of typical installations intended to illustrate the number of wires that must be run to fixture. These diagrams are not intended to specify all equipment necessary for a given dimming circuit. Refer to specific dimmer manufacturer's documentation for details.

IMPORTANT SAFETY INSTRUCTIONS

- SAVE THESE INSTRUCTIONS

1. Keep these instructions in a safe place for future reference.
2. Only qualified electricians in accordance to local codes should install these fixtures.
3. De-energize the electrical circuit at the circuit breaker prior to installation process or servicing.
4. Make sure all connections are in accordance with the National Electrical Code and any local regulations.
5. Cap any wires not used separately (not together).

D19 / DIML19 LED: Hatch XTC series or equivalent - Forward and Reverse Phase Dimming Driver.
Dims down to 1% contingent upon dimmer specification and load. 120V only.



D19 / DIML19 Dimmer Compatibility Chart

120V ONLY		
Forward Phase / TRIAC Dimming		
Manufacturer	Product	Qty Fixtures Per Dimmer
Leviton	IPL06-10Z	Use fixture wattage per fixture specification sheet to determine number of fixtures per dimmer. Max number of fixtures is limited by dimmer load rating.
	6613-xxx	
Lutron	S-600P	Use fixture wattage per fixture specification sheet to determine number of fixtures per dimmer. Max number of fixtures is limited by dimmer load rating.
	S-603P	
	DVSC-603P	
	CT-600P	
	CT-603P	

120V ONLY		
Reverse Phase / ELV Dimming		
Manufacturer	Product	Qty Fixtures Per Dimmer
Leviton	6615	Use fixture wattage per fixture specification sheet to determine number of fixtures per dimmer. Max number of fixtures is limited by dimmer load rating.
	IPE04-xxx	
Lutron	NTELV-300	Use fixture wattage per fixture specification sheet to determine number of fixtures per dimmer. Max number of fixtures is limited by dimmer load rating.
	NTELV-600	
	SELV-300P	
	SELV-303P	
	DVELV-300P	
	DVELV-303P	

DIMMING DRIVER WIRING SCHEMES:

NOTES:

Wiring diagrams are examples of typical installations intended to illustrate the number of wires that must be run to fixture. These diagrams are not intended to specify all equipment necessary for a given dimming circuit. Refer to specific dimmer manufacturer's documentation for details.

**IMPORTANT SAFETY INSTRUCTIONS
- SAVE THESE INSTRUCTIONS**

1. Keep these instructions in a safe place for future reference.
2. Only qualified electricians in accordance to local codes should install these fixtures.
3. De-energize the electrical circuit at the circuit breaker prior to installation process or servicing.
4. Make sure all connections are in accordance with the National Electrical Code and any local regulations.
5. Cap any wires not used separately (not together).

D28 Dimming Driver Wiring

D28 are programmed dimming drivers.

D28 Eldo DMX control dims from 100% to 0.1%

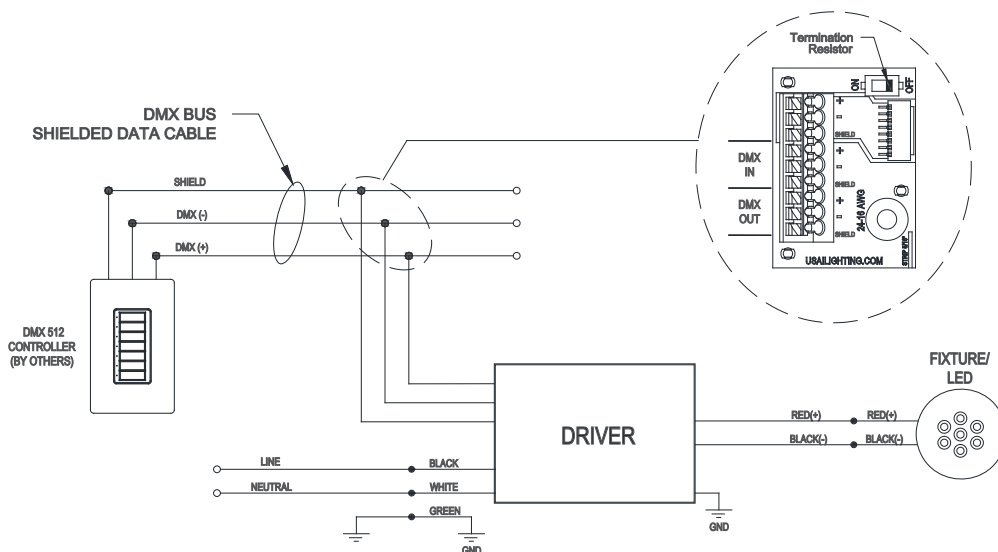
**DMX BUS -
SHIELDED DATA CABLE**

The data cable used must meet the following requirements:

- type: shielded, 2-conductor twisted pair
- maximum capacitance between conductors: 30 pF/ft
- maximum capacitance between conductor and shield: 55 pF/ft
- maximum resistance: 0.02 ohms/ft
- normal impedance: 100-140 ohms
- conductive core: 24 AWG is recommended

If 3-wire data cables are preferred, we suggest a Belden 9841 or equivalent cable which meets the specifications for EIA RS-485 applications. Do not use standard microphone cables: they cannot transmit DMX512 data reliably over long distances. NOTE: DMX link termination device, provided through Dip Switch on connection board, should be used on last fixture in line on a circuit to avoid signal loss.

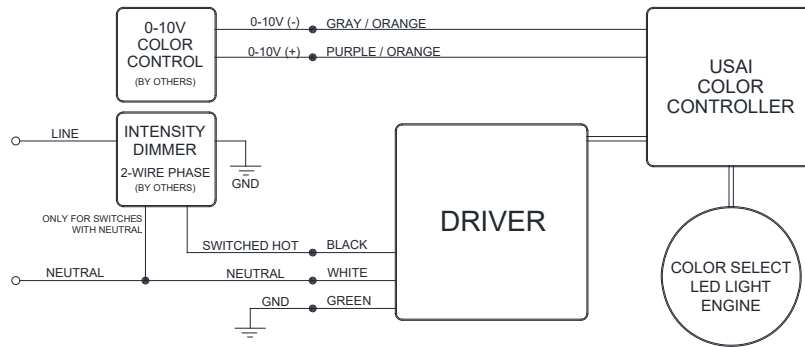
**D28
DMX CONTROLS**



INTENSITY DIMMING DRIVER WIRING SCHEMES:

Note: Wiring diagrams are examples of typical installations intended to illustrate the number of wires that must be run to fixture. These diagrams are not intended to specify all equipment necessary for a given dimming circuit. Refer to specific dimmer manufacturer's documentation for details.

DIML3 LED: Lutron Hi-Lume A-Series 2 Wire Fwd Phase (with neutral) / LED Dimming Driver Wiring (Dims down to 1%) 120V only.



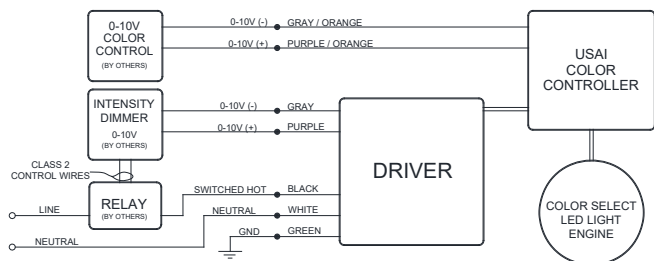
D3 / DIML3 Dimmer Compatibility Chart					
Manufacturer	Product	Part Number	Dimmed Light Output Range	Qty Fixtures Per Dimmer*	
				39W and Less	40W - 80W
120V Only					
ETC	Sensor+ Cabinet	ELV10	100% - 1%	1 - 26	1 - 13
ETC	Unison DRd Cabinet	ELV10	100% - 1%	1 - 26	1 - 13
Lutron	Maestro Wireless® 600W dimmer	MRF2-6ND-120-	100% - 1%	1 - 8	1 - 4
Lutron	Maestro Wireless® 1000W dimmer	MRF2-10ND-120-	100% - 1%	1 - 13	1 - 6
Lutron	HomeWorks® QS adaptive dimmer	HQRD-6NA-	100% - 1%	1 - 8	1 - 4
Lutron	HomeWorks® QS 600W dimmer	HQRD-6ND-	100% - 1%	1 - 8	1 - 4
Lutron	HomeWorks® QS 1000 W dimmer	HQRD-10ND-	100% - 1%	1 - 13	1 - 6
Lutron	Caseta Wireless® Pro 1000W dimmer	PD-10NXD-	100% - 1%	1 - 13	1 - 6
Lutron	Stanza® dimmer	SZ-6ND-	100% - 1%	1 - 8	1 - 4
Lutron	RadioRA® 2 adaptive dimmer	RRD-6NA-	100% - 1%	1 - 8	1 - 4
Lutron	RadioRA® 2 1000 W dimmer	RRD-10ND-	100% - 1%	1 - 6	1 - 3
Lutron	myRoom DIN power module	MQSE-4A1-D	100% - 1%	1 - 6	1 - 3
Lutron	HomeWorks® QS wallbox power module	HQRJ-WPM-6D-120-	100% - 1%	1 - 26	1 - 13
Lutron	Homeworks® DIN power module	LQSE-4A1-D	100% - 1%	1 - 6	1 - 3
Lutron	HomeWorks® wallbox power module	HVI-WPM-6D-120	100% - 1%	1 - 26	1 - 13
Lutron	GRAFIK Eye® QS control unit	QSGR-, QSGRJ-	100% - 1%	1 - 26	1 - 13
Lutron	GRAFIK Eye® 3000 control unit	GRX-3100-, GRX-3500-	100% - 1%	1 - 26	1 - 13
Lutron	RPM-4U module	HW-RPM-4U-120, LP-RPM-4U-120	100% - 1%	1 - 26	1 - 13
Lutron	RPM-4A module	HW-RPM-4A-120, LP-RPM-4A-120	100% - 1%	1 - 26	1 - 13
Lutron	GP dimming panels	Various	100% - 1%	1 - 26	1 - 13
Lutron	Ariadni CL 250W dimmer	AYCL-253P-	100%-1%	1 - 8	1 - 4
Lutron	Diva CL 250W dimmer	DVCL-253P-, DVSCCL-253P-	100%-1%	1 - 8	1 - 4
Lutron	Grafik T CL or RF CL dimmer	GT-250M-, GTJ-250M-	100%-1%	1 - 8	1 - 4
Lutron	Nova T CL 250W dimmer	NTCL-250-	100%-1%	1 - 10	1 - 5

* NOTE: Refer to dimmer manufacturer's documentation for installation instructions and circuit details.

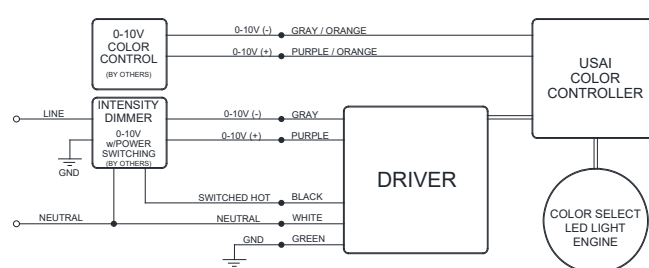
INTENSITY DIMMING DRIVER WIRING SCHEMES:

Note: Wiring diagrams are examples of typical installations intended to illustrate the number of wires that must be run to fixture. These diagrams are not intended to specify all equipment necessary for a given dimming circuit. Refer to specific dimmer manufacturer's documentation for details.

0-10V Dimming w/ Relay Switch to Power



0-10V Dimming



D6A / DIML6A and D6E / DIML6E LED Dimming Compatibility Table

D6A / DIML6A and D6E / DIML6E are linearly programmed dimming drivers for use with the dimming controls listed in the table below

D6A / DIML6A = EldoLED SOLOdrive 0-10V control dims from 100% to 0.1%

D6E / DIML6E = EldoLED ECOdrive 0-10V control dims from 100% to 1%

D6A / DIML6A and D6E / DIML6E Dimmer Compatibility Chart					
Manufacturer	Product	Part Number	Dimmed Light Output Range		Qty Fixtures Per Dimmer*
			DIML6A	6E	Refer to manufacturer's dimmer load rating for maximum and minimum fixture quantities per dimmer. Enlighted compatible.
120V & 277V					
Lutron	Diva	DVTV/NFTV with PP-20	99% - 0.1%	1%	
Lutron	Nova T	NFTV with PP-20	99% - 0.1%	1%	
Lutron	Energi Savr Node	QSN-4T16-S	100% - 0.1%	1%	
Lutron	GP Dimming Panels	TVM2 Module	99% - 0.1%	1%	
Lutron	Interfaces	GRX-TVI w/ GRX3503	100% - 0.1%	1%	
Sensor Switch enlighted	nIO Control Unit	nIO EZ CU-3E-1R	100% - 0.1%	1%	

D6B / DIML6B and D6F / DIML6F LED Dimming Compatibility Table

D6B / DIML6B and D6F / DIML6F are logarithmic-programmed dimming drivers for use with the dimming controls listed in the table below

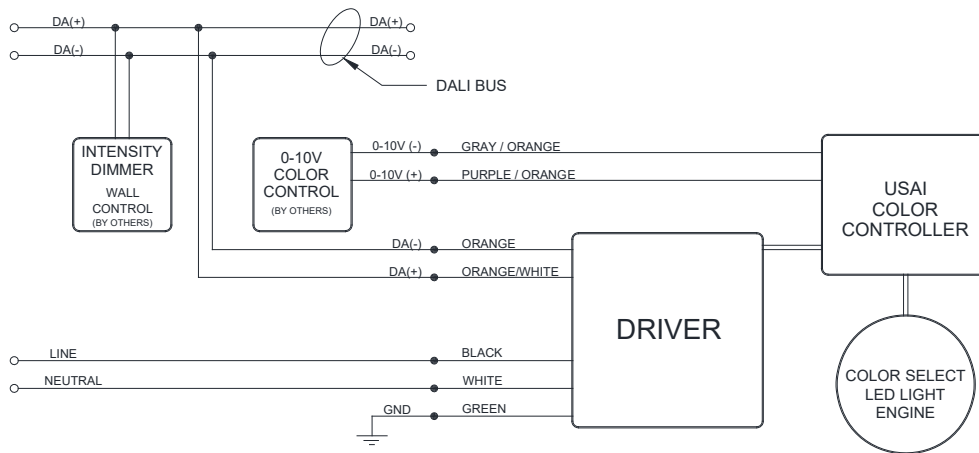
D6B / DIML6B = EldoLED SOLOdrive 0-10V control dims from 100% to 0.1% D6F / DIML6F = EldoLED ECOdrive 0-10V control dims from 100% to 1%

D6B / DIML6B and D6F / DIML6F Dimmer Compatibility Chart					
Manufacturer	Product	Part Number	Dimmed Light Output Range		Qty Fixtures Per Dimmer*
			DIML6B	6F	Refer to manufacturer's dimmer load rating for maximum and minimum fixture quantities per dimmer. Enlighted compatible.
120V & 277V					
Bush-Jaeger	Electronic potentiometer	2112U-101	100% - 0.1%	1%	
Jung	Electronic potentiometer	240-10	100% - 0.1%	1%	
Leviton	Iluma Tech dimmer	IP710-DLX	100% - 0.1%	1%	
Lightolier (Philips)	Momentum (120V ONLY)	ZP600FAM120	100% - 0.1%	1%	
Merten	Electronic potentiometer	5729	100% - 0.1%	1%	
Pass & Seymour	Titan	CD4FB-W	100% - 0.1%	1%	
Watt Stopper	Miro	DCLV1	100% - 0.1%	1%	
Synergy	Wallbox Dimmers	ISD BC	100% - 0.1%	1%	
ABB	i-bus	SD/S 2.16.1	100% - 0.1%	1%	
Crestron	Modules	GLX-DIMFLV8, GLXP-DIMFLV8	100% - 0.1%	1%	
Crestron	Green Light	GLPAC-DIMFLV4-, GLPAC-DIMFLV8-	100% - 0.1%	1%	
Crestron	Green Light Power Pack	GLPP-DIMFLVEX-PM, GLPP-1DIMFLV2EX-PM, GLPP-1DIMFLV3EX-PM	100% - 0.1%	1%	
Crestron	DIN Rail Analog Output Module	DIN-A08	100% - 0.1%	1%	
Crestron	DIN Rail 0-10V Fluorescent Dimmer	DIN-4DIMFLV4	100% - 0.1%	1%	
Crestron	iLux 0-10V Dimmer Expansion Module	CLS-EXP-DIMFLV	100% - 0.1%	1%	
enlighted	Control Unit	CU-3E-1R	100% - 0.1%	1%	

INTENSITY DIMMING DRIVER WIRING SCHEMES:

Note: Wiring diagrams are examples of typical installations intended to illustrate the number of wires that must be run to fixture. These diagrams are not intended to specify all equipment necessary for a given dimming circuit. Refer to specific dimmer manufacturer's documentation for details.

DIML7 LED: eLdoLED DALI dimming driver (dims down to 0.1%)



NOTE: Refer to dimmer manufacturer's documentation for installation instructions and circuit details.

EMERGENCY FIXTURE WIRING SCHEMES:

NOTES:

- Wiring diagrams are examples of typical installations intended to illustrate the number of wires that must be run to fixture. These diagrams are not intended to specify all equipment necessary for a given dimming circuit. Refer to specific dimmer manufacturer's documentation for details.
- USAI Color Controller sources 2mA for each fixture rated 39W and under, and 4mA for each fixture rated 40W-80W. Refer to Dimmer Manufacturer for max load.
- If not switching product, tie both the SWITCHED HOT and UN-SWITCHED HOT to LINE.
- For BeveLED 5.0 product, only one channel of the Light Engine is in EM Mode.

IMPORTANT SAFETY INSTRUCTIONS - SAVE THESE INSTRUCTIONS

1. Keep these instructions in a safe place for future reference.
2. Only qualified electricians in accordance to local codes should install these fixtures.
3. De-energize the electrical circuit at the circuit breaker prior to installation process or servicing.
4. Make sure all connections are in accordance with the National Electrical Code and any local regulations.
5. Cap any wires not used separately (not together).
6. The SWITCHED and UN-SWITCHED AC power source is required (120-277 VAC, 50/60 Hz) and must be on the same circuit.
7. Installer must join the converter connector for product emergency light to function.

D28 Dimming Driver Wiring

D28 are programmed dimming drivers.
D28 EldoLED DMX control dims from 100% to 0.1%

DMX BUS -

The data cable used must meet the following requirements:

- type: shielded, 2-conductor twisted pair
- maximum capacitance between conductors: 30 pF/ft
- maximum capacitance between conductor and shield: 55 pF/ft
- maximum resistance: 0.02 ohms/ft
- normal impedance: 100-140 ohms
- conductive core: 24 AWG is recommended

If 3-wire data cables are preferred, we suggest a Belden 9841 or equivalent cable which meets the specifications for EIA RS-485 applications. Do not use standard microphone cables: they cannot transmit DMX512 data reliably over long distances. NOTE: DMX link termination device, provided through Dip Switch on connection board, should be used on last fixture in line on a circuit to avoid signal loss.

