



8100 SERIES

Yoke Mount; 36 LED

DMX Color Changing

HIGHLIGHTS

- Expected service life of over 100,000 hours
- Corrosion resistant, zinc-infused, durable TGIC thermoset powder coat finish
- Copper free aluminum housing
- IP67 rated
- 3G rated
- Available in RGBW as custom

5
YEAR
warranty



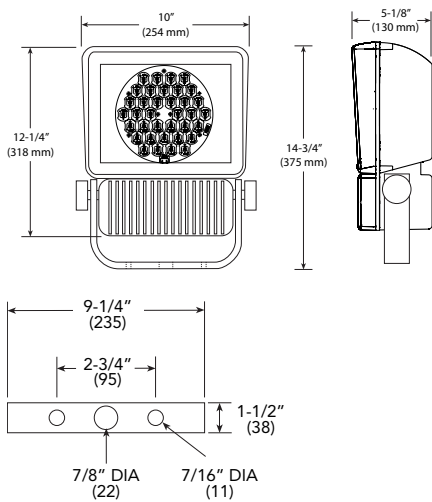
IP67



Specifications

EPA:	0.96 ft ²
	0.089 m ²
Length:	10"
	254 mm
Width:	5-1/8"
	130 mm
Height:	14-3/4"
	375 mm
Height ² :	12-1/4"
	318 mm
Weight:	24.1lbs

DIMENSIONS



YOKE FOOT PRINT

LUMEN PACKAGES

	NSP	MFL	FL	WFL	HSP	HFL
Delivered Lumens	1,850	1,900	2,003	1,660	1,930	1,890
Watts	97	97	97	97	97	97
LPW	19	20	21	17	20	19

Note: Information based on all colors full on

ORDERING INFORMATION
EXAMPLE: 8100 36LED RGB MVOLT NSP YM SMSA18 RDM BL

Model*	Lamp type*	LED Color*	Voltage*	Distribution*	Mounting*	Mounting Accessories
8100	36LED	RGB <i>Note: Available in RGBW as custom</i>	MVOLT (120-277 Volt)	NSP Narrow Spot MFL Medium Flood FL Flood WFL Wide Flood HSP Horizontal Spot HFL Horizontal Flood	YM Yoke Mount	EWM_ Ext. Wall Mt Available 18" - 48" in 6" increments PAR_/_/_ Pole Arm Round 4", 5", or 6" Pole 12", 18", or 24" length (i.e. PAR5/18) PAS_/_/_ Pole Arm Square 4", 5", or 6" Pole 12", 18", or 24" length (i.e. PAS4/24) PATR_/_/_ Pole Arm Twin Round 4", 5", or 6" Pole 12", 18", or 24" length (i.e. PATR6/12) PATS_/_/_ Pole Arm Twin Square 4", 5", or 6" Pole 12", 18", or 2 4" length (i.e. PATS6/12)
Mounting Accessories (Cont'd)		Accessories	Control	Finish*	Listing	
PMSA_ Pole Mt Splice Access PMT Pole Mount Tee PSSA Ped. Stanchion Splice Access SMSA_ Stan. Mt Splice Access available 12"-48" in 6" increments SMT12/24 Stanchion Mount Tee - 12" SMT18/24 Stanchion Mount Tee - 18" SMT24/24 Stanchion Mount Tee - 24" ARJB Architectural Junction Box	Internal¹ BD Barn Doors FGS Full Glare Shield HGS Half Glare Shield WRG Wire Rock Guard	RDM² Remote device management	BL Black BZ Bronze DDB Dark Bronze DNA Natural Aluminum GN Green GR Gray SND Sand	STG Steel Gray TVG Terra Verde Green WH White CF Custom _Z³ Zinc Undercoat (i.e. BLZ) RALTB RAL Paint Finishes <i>Note: RALTB for pricing only, replace with applicable RAL call out when ready to order. See the RALBROUCHURE for available options. It is recommended only use textures paint for Hydrel fixtures.</i>	NT^{3,4} Natatorium Construction	

ELECTRICAL LOAD

Light Engines	Drive Current (mA)	System Watts	Current (A)			
			120	208	240	277
36LED	750mA	97W	0.81	0.47	0.40	0.35

***Required Categories**
Notes:

- Option is mutually exclusive.
- RDM = Field discoverable and field programmable DMX.
- Add Zinc undercoat for harsh environments.
- Natorium rated Hydrel luminaires are built to withstand the elevated temperatures, high humidity and corrosive environments typically associated with natatoriums. Luminaires ordered with the "NT" nomenclature will have a zinc primer undercoat, zinc-infused super durable top coat, stainless steel hardware and IP67 ingress protection.

PERFORMANCE DATA

LUMEN OUTPUT

Lumen values are from photometric tests performed in accordance with IESNA LM-79-08. Data is considered to be representative of the configurations shown, within the tolerances allowed by Lighting Facts. Actual performance may differ as a result of end-user environment and application. Contact factory for performance data on any configurations not shown here.

Photometric data for underwater lighting is based on the theoretical output of a dry fixture. The final output of a fixture placed in water is determined by the depth that the fixture is placed, the clarity and turbulence of the water and the color of the surrounding concrete and/or tile.

	Distribution	NEMA TYPE	Beam Angle (50%) H x V	Field Angle (10%) H x V	Watts	LPW	Delivered Lumens
All colors full on	NSP	1 X 1	6 X 7	17 X 17	97	19	1,850
	MFL	3 x 3	21 X 21	37 X 37	97	20	1,900
	FL	5 x 5	64 X 64	84 X 81	97	21	2,003
	WFL	6 X 6	109 X 93	128 X 123	97	17	1,660
	HSP	4 x 2	38 x 8	52 x 18	97	20	1,930
	HFL	2 x 4	8 x 38	18 x 52	97	19	1,890

RECOMMENDED CONTROLLERS

Easyl DMX touchscreen

<http://www.acuitybrands.com/products/detail/210270/Fresco/Easyl/Easyl-DMX512A-Show-Controller>



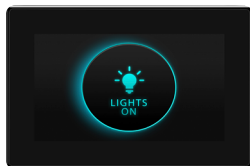
Easyl™ Solo: Is a standalone entry-level controller enabling show creation and playback directly at the LCD touchscreen.

Easyl™ Touch: features an astronomic time clock for automating shows and expands the controller's features by accepting inputs from remote button stations, and button station contact closure inputs.

Easyl™ Pro: is further enhanced by using Easyl Studio™ computer software to create multi-zone shows, and Easyl Pro features a 20 hour DMX512 capture from a theatrical console.

Fresco

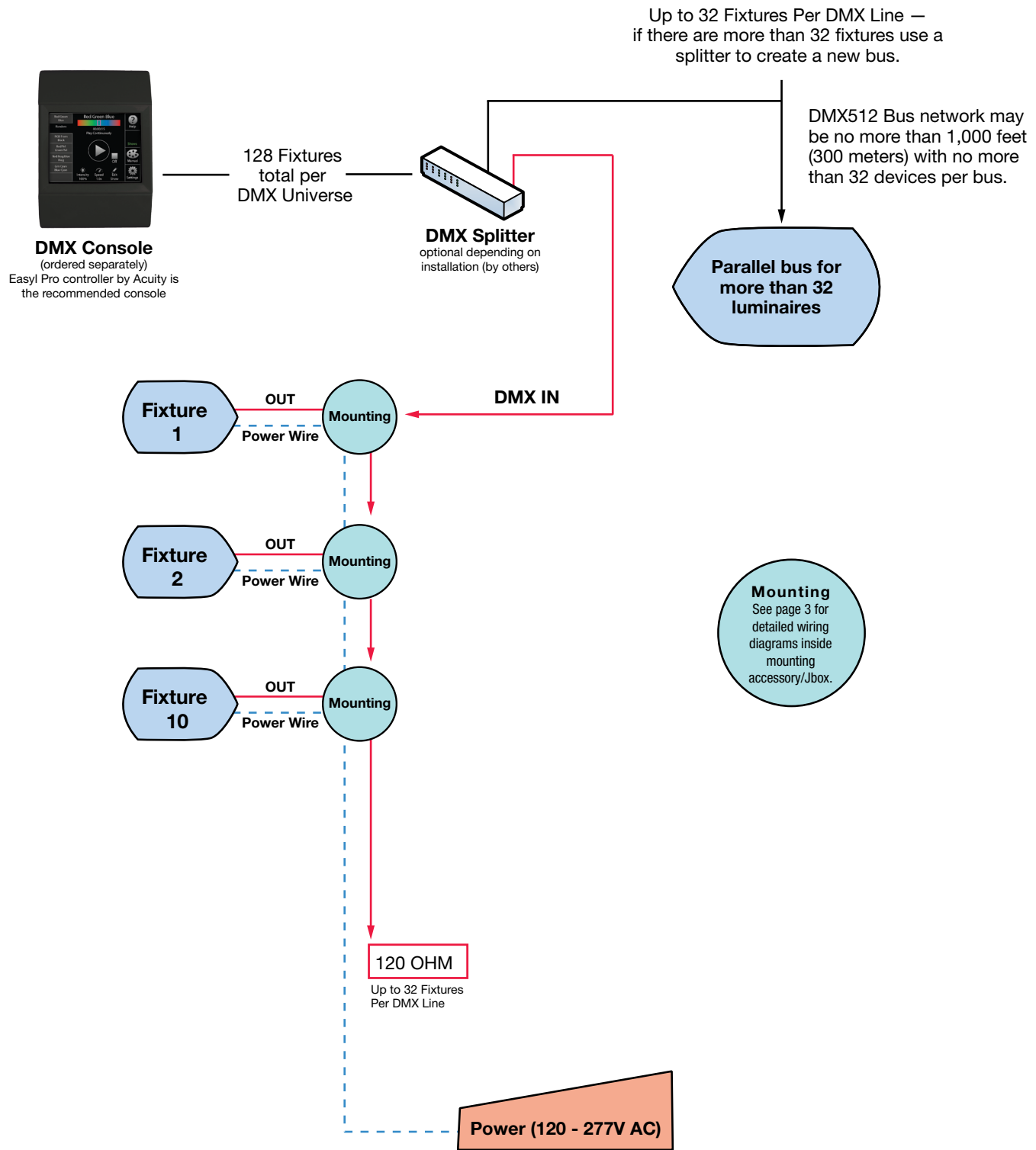
<http://www.acuitybrands.com/products/detail/223381/Fresco/Fresco-Touchscreen-Lighting-Controllers>



FCS

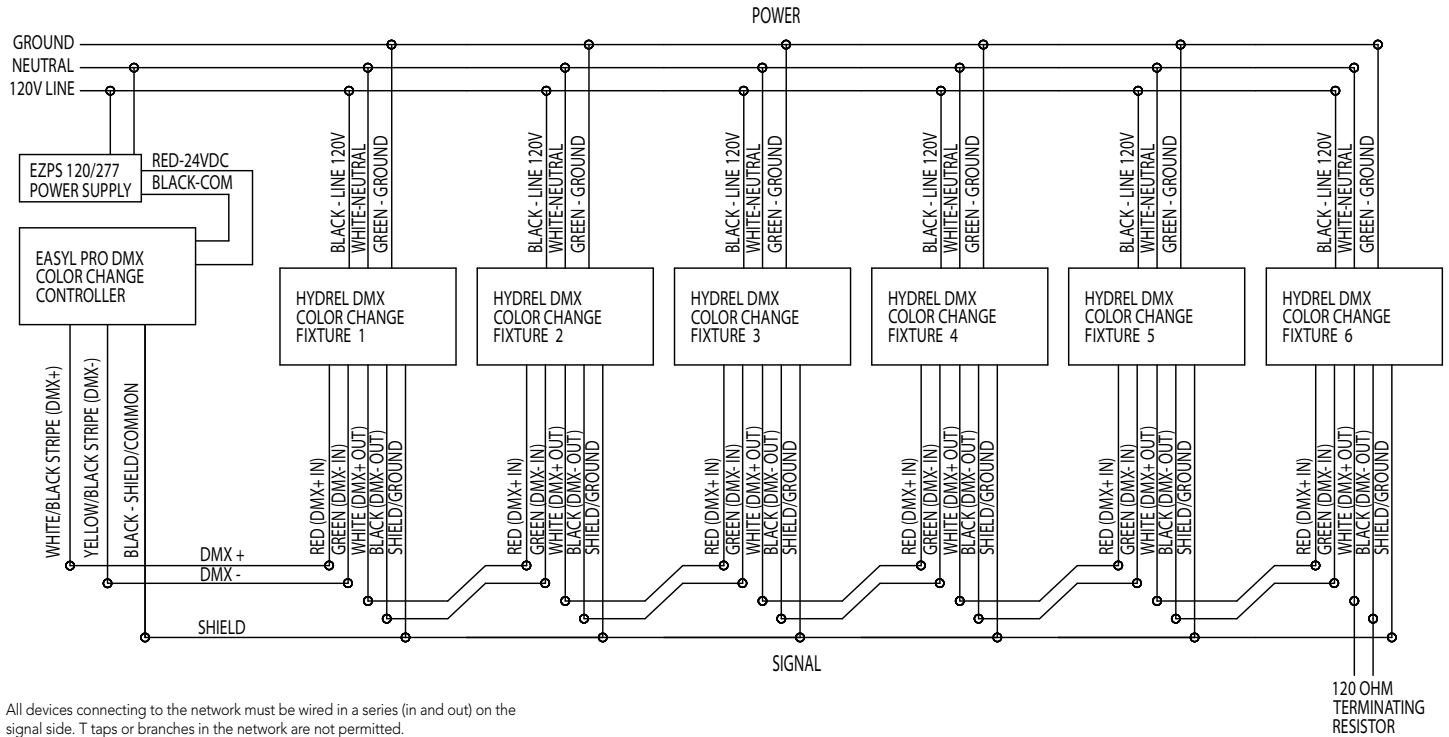
- Create and edit 36 lighting scenes including intensity, color, and color temperature
- Integral astronomic timeclock with battery backup for system scheduling
- Direct DMX control for 1 universe (512 slots)
- Internal Bluetooth® radio for wireless App control

DMX WIRING - FLOOD



- Notes:
1. DMX512 must be terminated by a 120 ohm resistor.
 2. Signal cable by others, cable must be two-pair with a maximum capacitance of 12.8 pF/ft. and a impedance of 120 ohm.

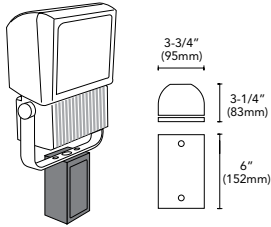
DMX CONNECTION AND TERMINATION - WIRING DIAGRAM



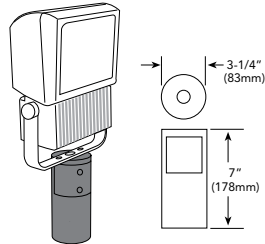
All devices connecting to the network must be wired in a series (in and out) on the signal side. T taps or branches in the network are not permitted.

MOUNTING OPTIONS

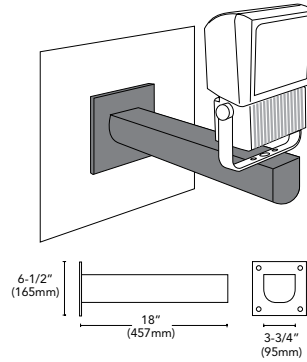
ARJB
ARCHITECTURAL JUNCTION BOX



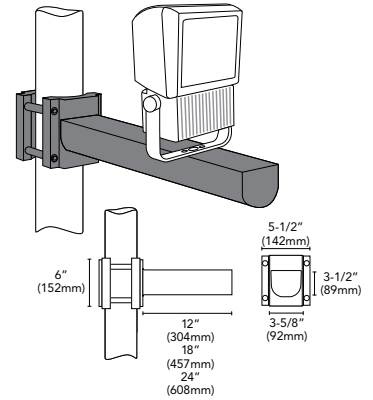
PMSA
7" POLE MOUNT
WITH SPLICE ACCESS
EPA: 0.13



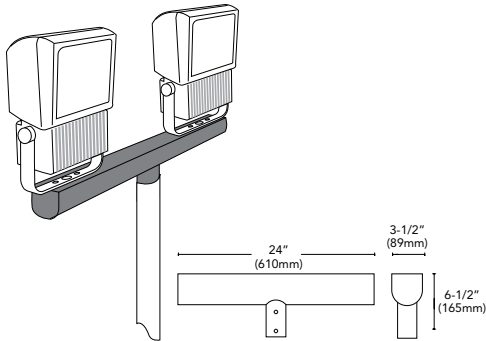
EWM
EXTENDED WALL MOUNT
18" - 36" LENGTHS



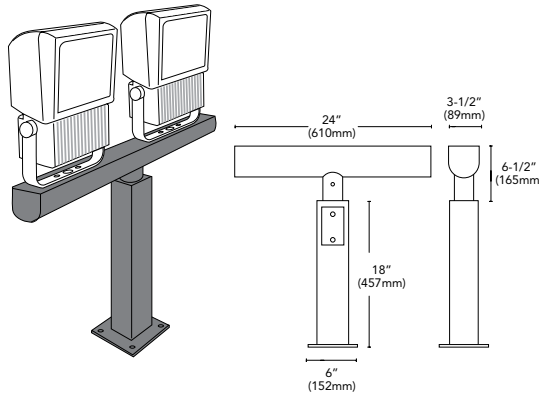
PAR/PAS & PATR/PATS (SINGLE & TWIN ARM)
POLE ARM ROUND/SQUARE
12" - 24" LENGTH AVAILABLE
EPA: 0.52 per 18" arm



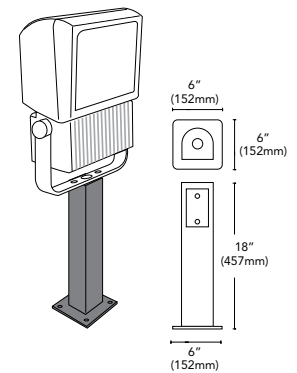
PMT
POLE MOUNT TEE
EPA: 0.70



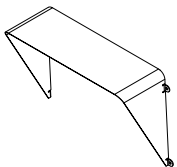
SMT
STANCHION MOUNT TEE



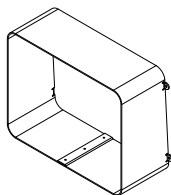
SMSA/PSSA
SMSA STANCHION AVAILABLE IN 12" - 48"
HEIGHTS (example: SMSA18, SMSA24)
PSSA Pedestal Stanchion - 7" HEIGHT



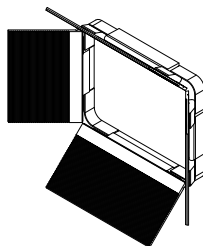
EXTERNAL ACCESSORIES



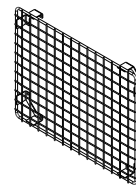
HGS - Half Glare Shield



FGS - Full Glare Shield



BD - Barn Doors



MRG - Wire Rock Guard

SPECIFICATIONS AND FEATURES

CONSTRUCTION: Die Cast Copper Free Aluminum (A360) Housing and Doors.

LED: RGB LED array, 97 input watts max.. Lumen maintenance of individual light sources has been independently tested using IESNA LM80 standards.

OPTICS: NEMA flood (2x2 through 6x6), horizontal flood (6x4), vertical flood (4x6).

LENS: Tempered borosilicate glass for maximum resistance to impact and thermal shock.

MOUNTING: Aluminum yoke & stainless steel locking hardware with infinite aiming adjustment capabilities and a wide array of mounting accessories. The 8100 series can withstand up to a 3G vibration load rating per ANSI/IEEE C136.31. Luminaires are provided with 10' of 16-3 ST-W cord for power supply and 10' of DMX data cable.

CONTROL: DMX512. Color control is achieved through standard DMX512 hardware, at a maximum of 44 frames per second. All channels have logarithmic power for finer color and intensity control. Compatible with the EasyL and Fresco controllers from Acuity. Controllers must be ordered separately.

ELECTRICAL: Integral ELDO RGB power drive, MVOLT (120-277 volt) 50/60HZ LED PowerSupply, dims to zero. THD< 20%, class 2 driver with 100% to 0% dimming.

FINISH: Exterior parts are protected by a zinc-infused super durable TGIC thermoset powder coat finish that provides superior resistance to corrosion and weathering. A tightly controlled multi-stage process ensures a minimum 3 mils thickness for a finish that can withstand extreme climates without cracking or peeling.

LISTING: IP67, CSA, CSA_{US}

BUY AMERICAN: This product is assembled in the USA and meets the Buy America(n) government procurement requirements under FAR, DFARS and DOT. Please refer to www.acuitybrands.com/resources/buy-american for additional information.

WARRANTY: 5-year limited warranty. Complete warranty terms located at: www.acuitybrands.com/support/customer-support/terms-and-conditions

Consult factory for details.

NOTE: Actual performance may differ as a result of end-user environment and application. All values are design or typical values, measured under laboratory conditions at 25 °C. Specifications subject to change without notice.