


**Specifications**

Weight:	4' 17.5lbs
	2' 12.5lbs

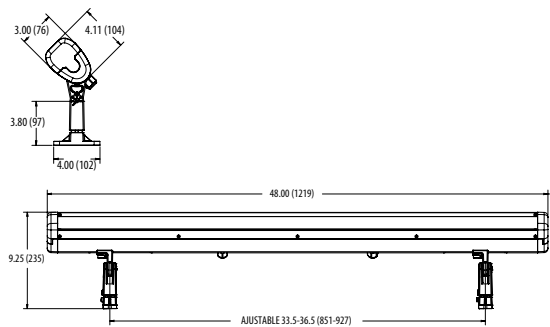
# 4750L RGBW

## Linear RGBW

**HIGHLIGHTS**

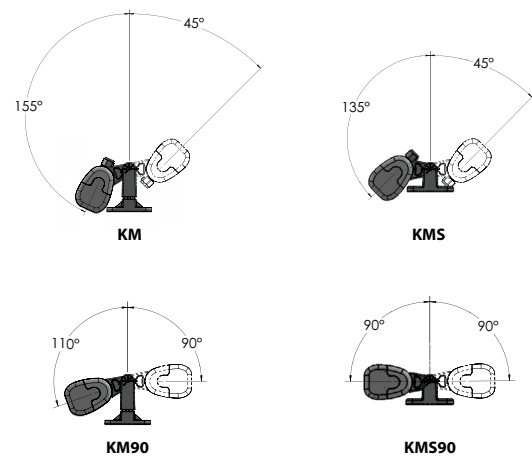
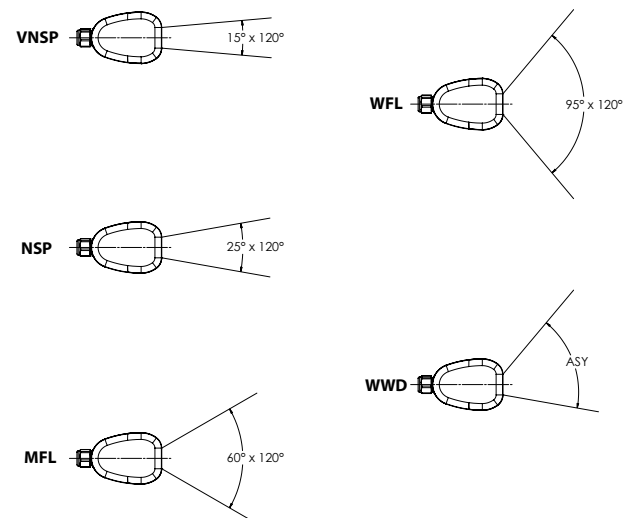
- The 4750L delivers industry leading durability, performance and lumen output
- Superior water resistance IP67 with Hydrel "Flow-Thru" technology, water flows around the independently sealed integral driver module and sealed LED module
- Aiming integrity with a fully adjustable and rugged knuckle design using Taper-Lock technology
- Long life in the most demanding environments with low copper content housing materials, stainless steel fasteners, and durable powder coat finish options for Coastal Regions and Natatoriums
- 3G vibration rated per ANSI C136.31


**IP67**

**DIMENSIONS**

**LUMEN PACKAGES**

	VNSP	NSP	MFL	WFL	WWD
Delivered Lumens	3577	3592	4170	4230	3922
Watts	56	56	56	56	56
LPW	63	64	74	75	72
Peak Candela	7733	5239	2361	1781	2942

Note: Information based on 100% output on 4FT fixture

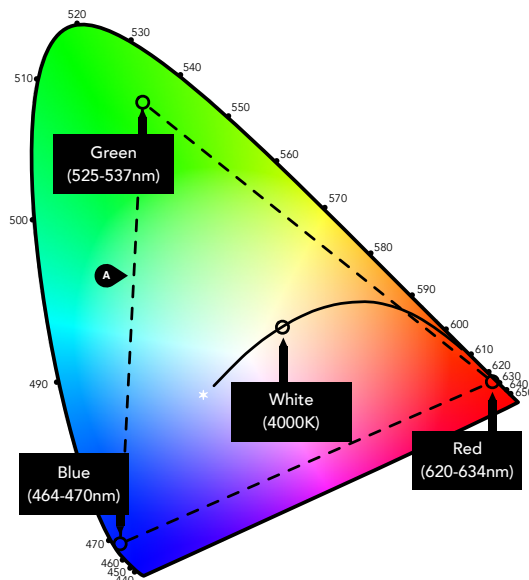
**AIMING DETAILS**

**STANDARD DISTRIBUTION**


**ORDERING INFORMATION**

**EXAMPLE:** 4750L 4FT 1000LMF RGBW MVOLT VNSP KM EA6 CSL10 DMX BL

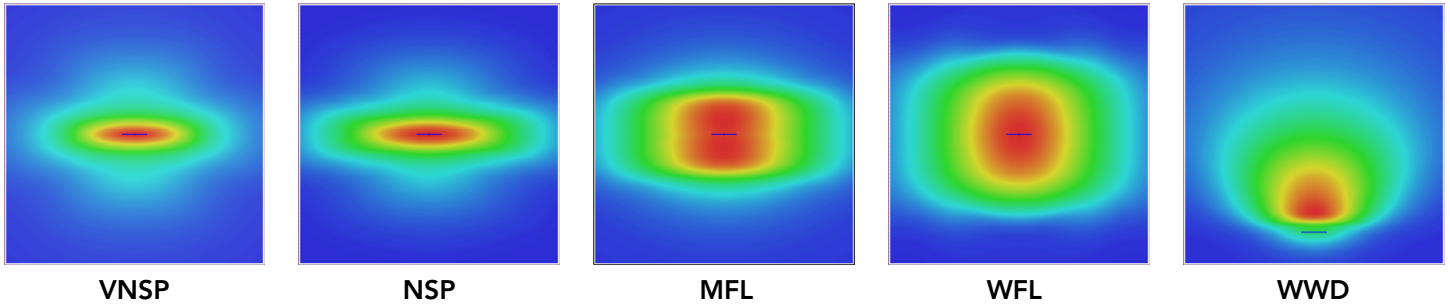
Model*	Max Fixture Length*	LED Output*	LED Dynamic Range*	Voltage*	Distribution*	Mounting*
<b>4750L</b> LED Linear Flood	<b>4FT</b> 4' (nominal length)	<b>1000LMF</b> 1000 nominal lumens per foot <i>Note: May vary based on distribution.</i>	<b>RGBW</b> Red, Green, Blue, White (40K white 80CRI)	<b>MVOLT</b> 120-277 volt	<b>VNSP</b> 15 x 120 degrees <b>NSP</b> 25 x 120 degrees <b>MFL</b> 60 x 120 degrees <b>WFL</b> 95 x 120 degrees <b>WWD</b> Wall Wash (Asymmetric)	<b>KM</b> Knuckle Mount 45° <b>KMS</b> Knuckle Mount Short 45° <b>KM90</b> Knuckle Mount 90° <b>KMS90</b> Knuckle Mount short 90° <i>Note: KMS and KMS90 not available with mounting accessories</i>
Mounting Accessories	Accessories	Cord Length*	Control Input*	Environmental Options	Finish*	
<b>JB4750L</b> Aluminum junction box <b>MS12</b> 12" Steel mounting spike <b>MS18</b> 18" Steel mounting spike <b>PSSA</b> Pedestal Stanchion Splice Access <b>SMSA_</b> Stanchion mount splice access. Available 12"-48" in 6" increments <i>Note: Mounting Spike (MS) is used for fixture mounting only. Separate junction box is required for power. Hydrel offers JBA/JBB junction box</i>	<b>EA6</b> extended arm 6" <b>EA12</b> extended arm 12" <b>EA18</b> extended arm 18" <b>FVSR</b> Full Visor <b>HVSR</b> Half Visor <i>Note: Full visor includes top and bottom shield. Half Visor is top only for all distributions except wall wash which is bottom only.</i>	<b>CSL_</b> 10'-50' of cable available in 5' increments	<b>DMX</b> DMX DARK	<b>MRE</b> Marine Environment <b>NT</b> Natatorium Construction <b>CR</b> Corrosion Resistant	<b>BL</b> Black Textured <b>BZ</b> Bronze Textured <b>DBLB</b> Designer Black Textured <b>DBBT</b> Designer Bronze Textured <b>DNAT</b> Designer Natural Aluminum Textured <b>GN</b> Green Textured <b>GR</b> Grey Textured <b>SND</b> Sand Textured <b>STG</b> Steel Gray Textured <b>TVG</b> Terra Verde Green Textured <b>WH</b> White Textured <b>DBL</b> Designer Black Smooth <b>DDB</b> Designer Bronze Smooth <b>DNA</b> Natural Aluminum Smooth <b>DWH</b> Designer White Smooth <b>CF</b> Custom Finish <b>RALTB</b> Ral Paint Finishes <i>Note: RALTB for pricing only, replace with applicable RAL call out when ready to order. See the RALBROCHURE for available options. It is recommended only use textures paint for Hydrel fixtures.</i>	

Note: \* is a required field



**A** RGBW Range within triangle formed by RGB

**PERFORMANCE DATA**



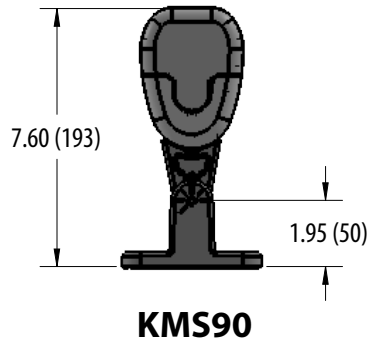
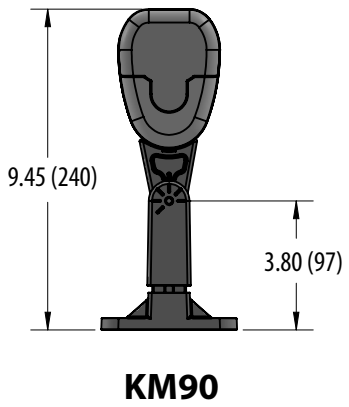
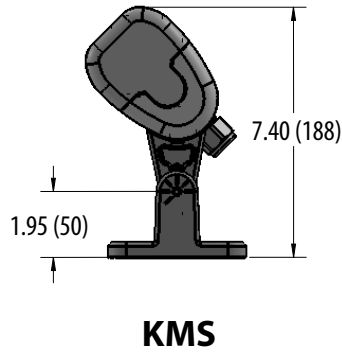
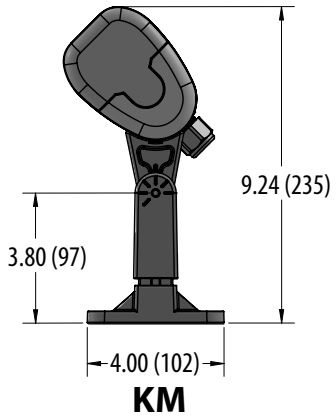
**LUMEN OUTPUT 4' FIXTURE**

Lumen values are from photometric tests performed in accordance with IESNA LM-79-08. Data is considered to be representative of the configurations shown, within the tolerances allowed by Lighting Facts. Actual performance may differ as a result of end-user environment and application. Contact factory for performance data on any configurations not shown here.

LED Output	Nominal System Watts	Distribution Type	Field Angle		Beam Angle		RGBW		
			°H	°V	°H	°V	Max Cd	Lumens	LPW
1000LMF	56	VNSP	109.6	39.2	63.2	12.1	7733	3576.9	63.47
		NSP	144.0	39.8	98.4	15.7	5239	3591.8	64.01
		MFL	148.4	84.5	106.7	61.3	2361	4170	73.68
		WFL	149.6	109.2	106.8	94.9	1781	4229.7	74.72
		WWD	146.9	78.6	100.7	46.3	2942	3922	72.14

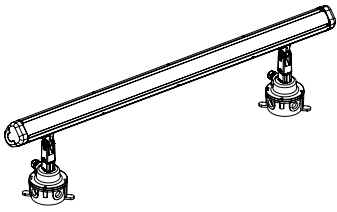
**MOUNTING OPTIONS**

**KNUCKLE MOUNTING**

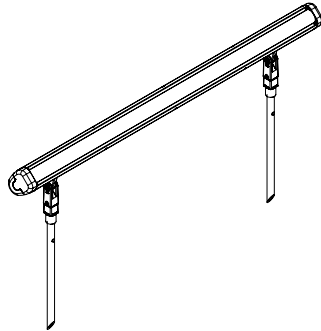


**MOUNTING ACCESSORIES**

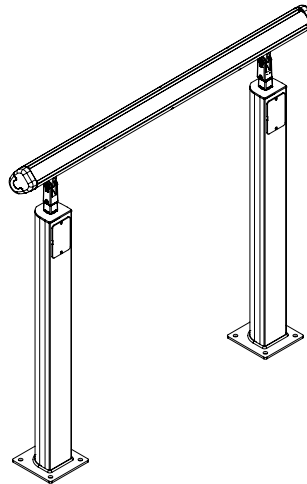
**MOUNTING ACCESSORIES** - is supplied with 1/2" NPS adaptor. Suitable for ground mounting.



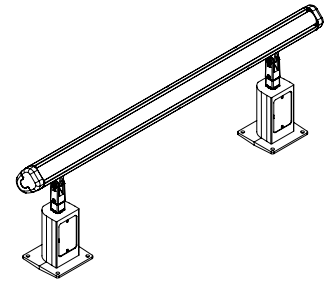
**JB4750L Junction Box**



**MS12 Mounting splice available in 12" and 18"**

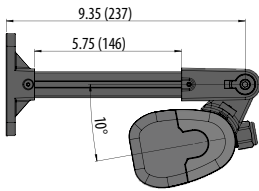


**SMSA12 Mounting available in 12"-48" in 6" increments**

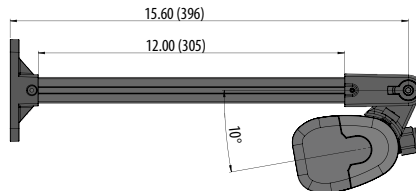


**PSSA Mounting**

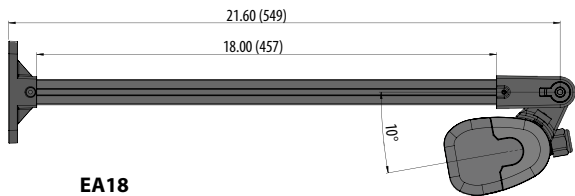
**EXTENDED ARM** Suitable for wall or surface mount



**EA6**



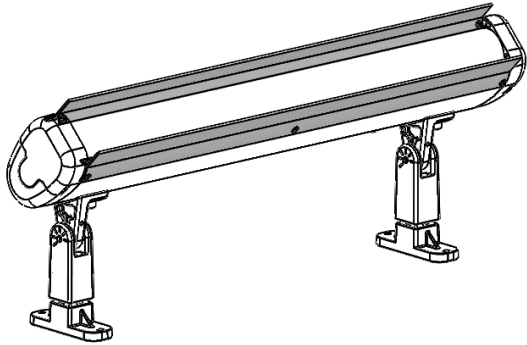
**EA12**



**EA18**

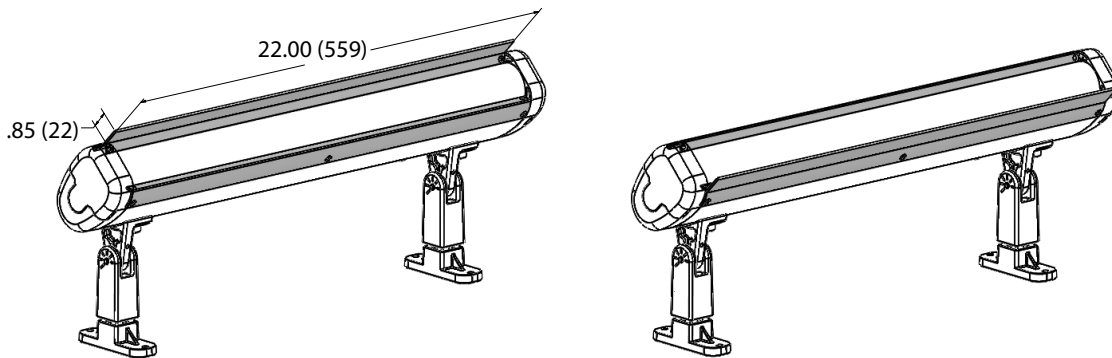
**EXTERNAL ACCESSORIES**

**VISORS**



**FVSR4750L**

**FULL VISOR** is supplied with top and bottom visor.



**HVSR4750L**

**HALF VISOR** are factory installed on top side except for wall wash distribution which is installed on the bottom. Visors: Can be field installed and moved from top to bottom if desired.

## ACCESSORY OPTIONS

### FRESCO CONTROL SYSTEM

Series	Model	Options	Finish
FCS Fresco Control System	7TSN 7" touchscreen with nLight port	X DMX/RMD control	<b>DBL</b> Black <b>DWH</b> White <b>DNA</b> Natural Aluminum



Refer to [FRESCO](#) spec sheet for additional details and options.

### EASYL - LED SHOW CONTROLLER WITH LCD TOUCHSCREEN (INTETRAL POWER SUPPLY)

Series	Voltage	Finish
EZSOLO Easy Solo	MVOLT 120V-277V VAC, 50/60Hz	BK Black
EZTOUCH Easy Touch		Wh White
EZPRO Easy Pro		



Refer to [EASYL](#) spec sheet for additional details and options.

### DMX / POWER INTEGRATOR

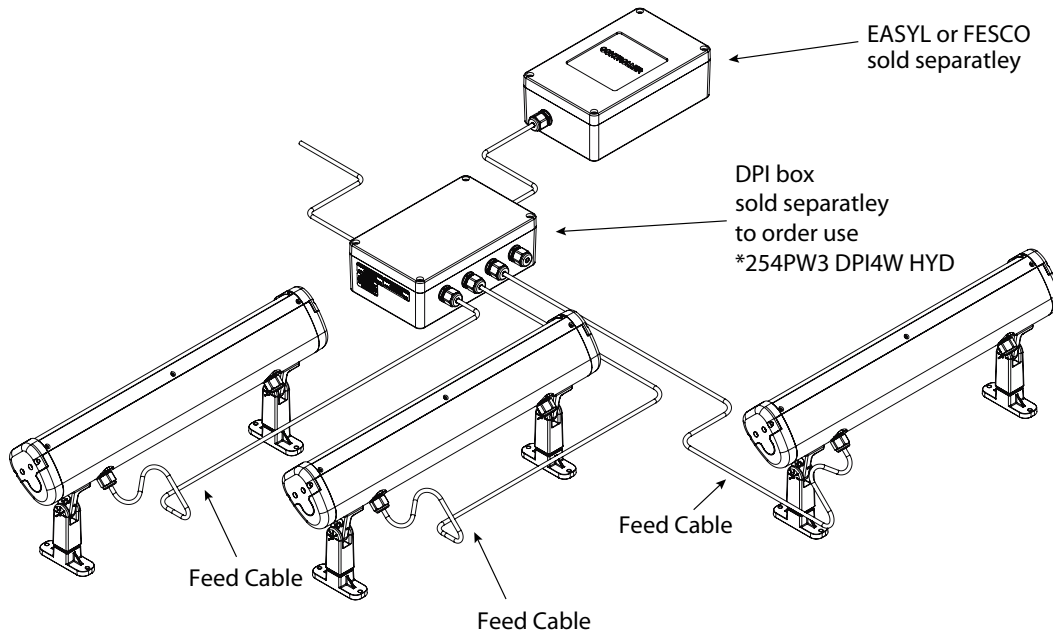
Model
DPI4WHYD DPI4WHYD - DMX/Power Integrator Box



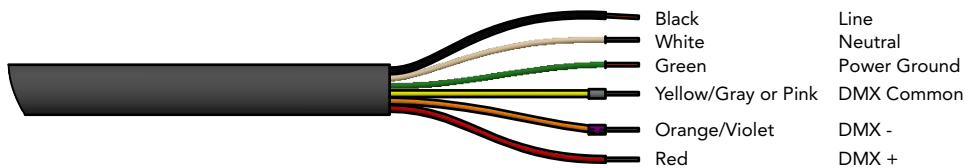
Refer to [DPI4W HYD](#) spec sheet for additional details.

## WIRING AND LAYOUT DESIGN

### INDIVIDUAL RUN LAYOUT



### Feed Cable Wiring Detail - DMX RGBW & TUWH Fixture



## SPECIFICATIONS AND FEATURES

**MATERIAL:** Copper free die cast aluminum and corrosion resistant extruded aluminum. All stainless steel fasteners.

**LIGHT SOURCE:** RGBW Red, Green, Blue, White 1000LMF.

**VOLTAGE:** MVOLT 120-277 (4ft only.)

**DISTRIBUTION:** VN5P (10x), NSP (20x), MFL (55x), WFL (100x), WWD (wall wash Asymmetric).

**LENS:** High clarity acrylic, superior UV resistant.

**MOUNTING:** KM (kuckle mount 45°), KMS (Knuckle Mount Short 45°), KM90 (Knuckle mount 90°), KMS90 (Knuckle mount short 90°).

**FINISH:** Exterior parts are protected by a zinc-infused super durable TGIC thermoset powder coat finish that provides superior resistance to corrosion and weathering. A tightly controlled multi-stage process ensures a minimum 3 mils thickness for a finish that can withstand extreme climates without cracking or peeling.

**CORD DETAILS:** MVOLT - 18-6 SJTOW 10ft. length.

**LISTING:** cCSAus, MRE (Marine Environment) is listed to UL1598a. IP67 rated.

**ENVIRONMENT:** Suitable for outdoor wet location applications. Suitable for inoor, non-IC rated applications, maximum 45° C and minimum -20° C ambient operating temperatures.

**BUY AMERICAN:** This product is assembled in the USA and meets the Buy America(n) government procurement requirements under FAR, DFARS and DOT. Please refer to [www.acuitybrands.com/resources/buy-american](http://www.acuitybrands.com/resources/buy-american) for additional information.

**WARRANTY:** 5-year limited warranty. Complete warranty terms located at: [www.acuitybrands.com/support/warranty/terms-and-conditions](http://www.acuitybrands.com/support/warranty/terms-and-conditions)

Consult factory for details.

**NOTE:** Actual performance may differ as a result of end-user environment and application. All values are design or typical values, measured under laboratory conditions at 25 °C. Specifications subject to change without notice.