

Gotham Architectural Downlighting
LED Downlights

**4" Evo® Architainment Color
Downlight**



Solid-State Dynamic Lighting

FEATURES

OPTICAL SYSTEM

- Self-flanged semi-specular, matte-diffuse or specular finishing trim
- Patented Bounding Ray™ optical design (U.S. Patent No. 5,800,050)
- 45° cutoff to source and source image
- Top-down flash characteristic
- Polycarbonate lens integral to light engine

MECHANICAL SYSTEM

- 16-gauge galvanized steel construction; maximum 1-1/2" ceiling thickness
- Telescopic mounting bars maximum of 32" and minimum of 15", preinstalled, 4" vertical adjustment
- Toolless adjustments post installation
- Junction box capacity: 8 (4 in, 4 out) 12AWG rated for 90°C
- Light engine and driver accessible through aperture

ELECTRICAL SYSTEM

- Fully serviceable and upgradeable lensed LED light engine
- 70% lumen maintenance at 36,000 hours
- Tested according to LM-79 and LM-80 standards
- Overload and short circuit protected
- 2.5 SDCM; Typical CRI of 90 at 3000K

LISTINGS

- Fixtures are CSA certified to meet US and Canadian standards; wet location, covered ceiling

BUY AMERICAN

- This product is assembled in the USA and meets the Buy America(n) government procurement requirements under FAR, DFARS and DOT. Please refer to www.acuitybrands.com/buy-american for additional information.

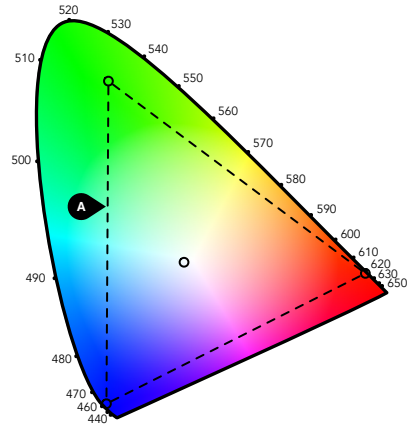
WARRANTY

- 5-year limited warranty. Complete warranty terms located at: www.acuitybrands.com/CustomResources/Terms_and_conditions.aspx

Note: Actual performance may differ as a result of end user environment and application.
All values are design or typical values, measured under laboratory conditions at 25° C.

ARCHITAINMENT COLOR GPHD

- **Gamut** Triangular
- **Path** Full RGB gamut
- **Handle** Four Handles: Red, Green, Blue, White
- **Data** DMX512/RDM



A RGBW Range within triangle formed by RGB



ORDERING INFORMATION

EXAMPLE: EVO ARTC RGBW/12 4AR MD LSS 120 DMX

Series	Sub Series	Dynamic Feature	Dynamic Range	Lumens ¹	Aperture/Trim Color	Aperture Type
EVO Dynamic downlight	(blank) Open downlight	ARTC Architainment Color	RGBW Red, green, blue, white	/12 1250 Lumens	4AR Clear 4PR Pewter 4WTR Wheat 4GR Gold	4WR² White painted 4BR² Black painted 4WRAMF² White painted antimicrobial finish
						(blank) Self-flanged FL Flangeless

Distribution	Aperture Finish	Voltage	Control Interface Type	Options
MD Medium (0.8 s/mh) MWD Medium wide (1.0 s/mh) WD Wide (1.2 s/mh)	LSS Semi-specular LD Matte-diffuse LS Specular	120 120V 277 277V	DMX DMX control with Phoenix connectors	SF Single fuse TRW³ White painted flange TRBL⁴ Black painted flange

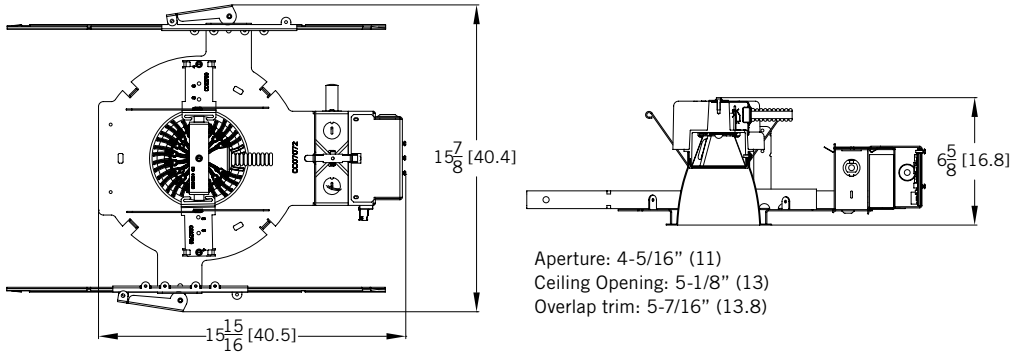
ACCESSORIES

ACCESSORIES order as separate catalog numbers (shipped separately)

SCA4	Sloped ceiling adapter. Degree of slope must be specified (5D, 10D, 15D, 20D, 25D, 30D). Ex: SCA4 10D. Refer to TECH-190 .
CTA4-8 YK	Ceiling thickness adapter (extends mounting frame to accommodate ceiling thickness up to 5"). Adds 1" to fixture height.
FCS 7TSN XE DBL	Fresco Lighting Control with DMX and ethernet. Refer to FRESCO spec sheet for additional options.
DXT 1M09 2M12 NE1L	DMX512 RDM configuration gateway. Refer to DXT spec sheet for additional options.

DIMENSIONAL DATA

All dimensions are inches (centimeters) unless otherwise noted.



Architainment Spacing Requirements

1250 Lumen

Center to Center Spacing	36"
Above Spacing	12"
Center to Wall Spacing	18"

DYNAMIC SPECIFICATIONS

INDIVIDUAL COLOR CHANNEL PERFORMANCE*

		All on	Red Only	Green Only	Blue Only	White Only
/12	Delivered Lumens	1275	226	401	96	656
	Watts	31	9	11	10	12
	LPW	41	25	37	9	57

*Values shown for EVO ARTC RGBW/12 4AR MWD LSS 120 DMX

NOTES

ORDERING NOTES

- Nominal lumen values when tested at all channels full-on, RGBW.
- Not available with finishes.
- Not available with white reflector.
- Not available with black reflector.

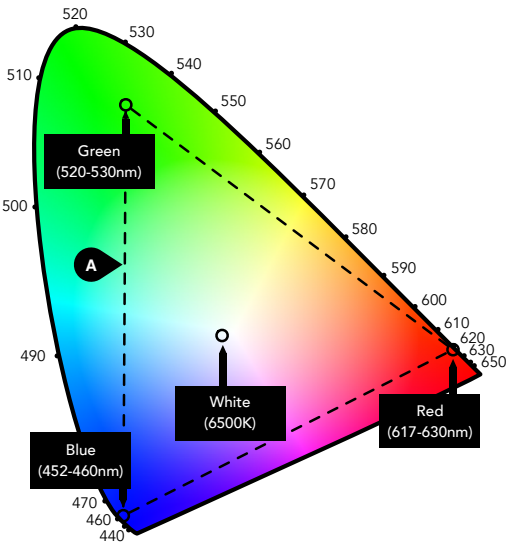
CONSULT GOTHAMLIGHTING.COM FOR PHOTOMETRY

LUMEN OUTPUT MULTIPLIER - TRIM FINISH						
FINISH	CLEAR (AR)	PEWTER (PR)	WHEAT (WTR)	GOLD (GR)	WHITE (WR/WRAF)	BLACK (BR)
Specular (LS)	1.00	0.88	0.83	0.95	N/A	N/A
Semi-specular (LSS)	0.95	0.84	0.79	0.90	N/A	N/A
Matte-diffuse (LD)	0.85	0.73	0.69	0.80	N/A	N/A
Paint	N/A	N/A	N/A	N/A	0.87	0.73

PHOTOMETRY NOTES

- Tested in accordance with IESNA LM-79-08.
- Tested to current IES and NEMA standards under stabilized laboratory conditions.

RGBW GAMUT AND RANGE

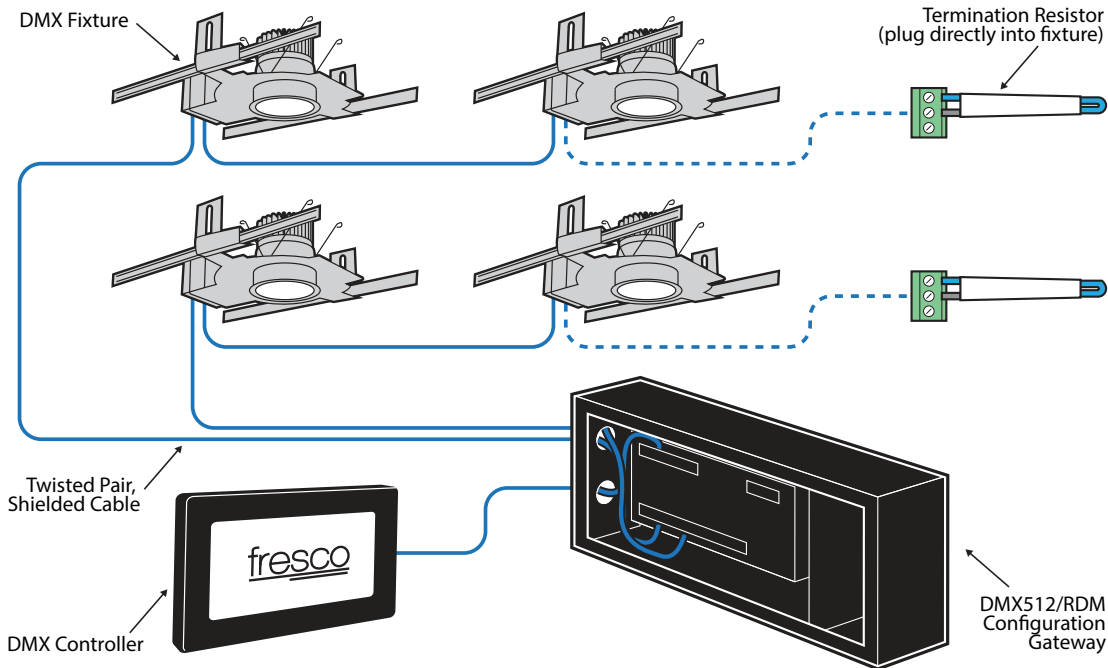


- The Gamut of a luminaire determines the potential color range, specifically the dominant wavelength of each primary color.
- The Path determines the range of colors the user can select for the luminaire.

The RGBW Range reaches the full range of saturated colors and subtle pastels to create bold transformational effects.

A RGBW Range within triangle formed by RGB

TYPICAL DMX NETWORK LAYOUT WITH CONFIGURATION GATEWAY



For additional information refer to Gotham [DMX512 / RDM Field Installation Manual](#).